

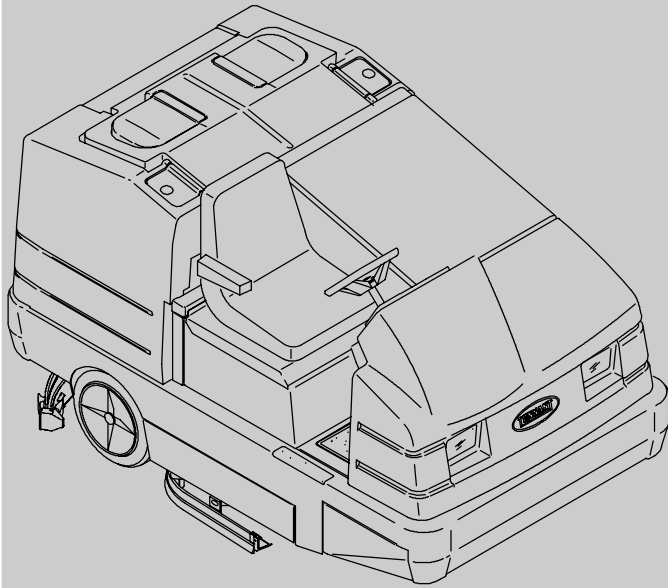
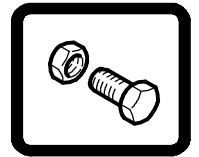


7400

(Gas/LPG)

(007000-)

(GM Engine) Rider Scrubber Parts Manual



The Safe Scrubbing Alternative®

ES® Extended Scrub System

North America / International

www.tennantco.com

330970
Rev. 04 (3-2007)



When ordering replacement parts, use the illustrated parts list section in this manual. Before ordering parts or supplies, be sure to have your machine model number and serial number available. Only use TENNANT Company supplied or equivalent parts. Parts and supplies may be ordered online, by phone, or mail from any authorized parts and service center, distributor or from any of the manufacturer's subsidiaries.

This machine will provide excellent service. However, the best results will be obtained at minimum costs if:

- The machine is operated with reasonable care.
- The machine is maintained regularly - per the machine maintenance instructions provided.
- The machine is maintained with manufacturer supplied or equivalent parts.

MACHINE DATA	
Please fill out at time of installation for future reference.	
Model No. -	_____
Serial No. -	_____
Machine Options -	_____
Sales Rep. -	_____
Sales Rep. phone no. -	_____
Customer Number -	_____
Installation Date -	_____

Tennant Company
PO Box 1452
Minneapolis, MN 55440
Phone: (800) 553-8033 or (763) 513-2850
www.tennantco.com

FaST-PAK is a US registered and unregistered trademark of Tennant Company.

Specifications and parts are subject to change without notice.

Copyright © 1998-2000, 2002-2007 TENNANT Company, Printed in U.S.A.

HOW TO USE THIS MANUAL

This section on *HOW TO USE THIS MANUAL* will tell you how to:

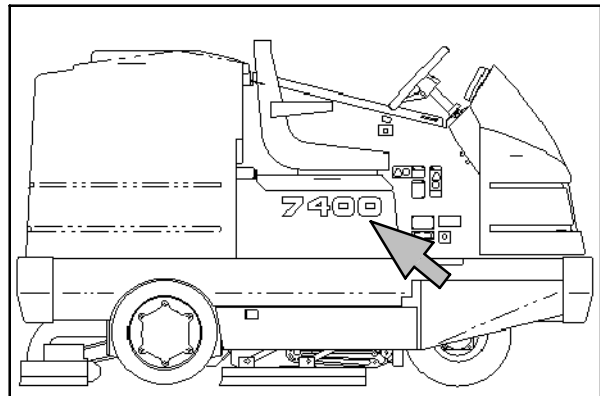
- Find important machine information for ordering correct repair parts.
- Find TENNANT part numbers.
- Order TENNANT parts and supplies.

IMPORTANT INFORMATION

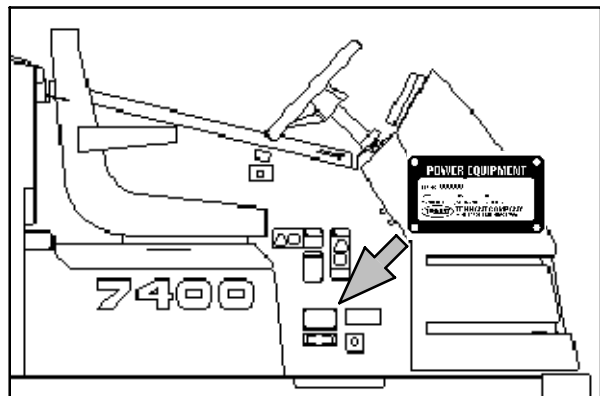
When placing an order for parts, the machine model and machine serial number are important. Refer to the *MACHINE DATA* box which is filled out during the installation of your machine. The *MACHINE DATA* box is located on the inside of the front cover of this manual.

MACHINE DATA	
<i>Please fill out at time of installation for future reference.</i>	
Machine Model Number -	7400
Machine Serial Number -	_____
Machine Options -	_____
TENNANT Representative/phone no. -	_____
Customer ID Number -	_____
Date of Installation -	_____
Manual Number -	330970
Revision:	00
Published:	3-03

The model number of your machine is on the side of the machine.



The serial number of your machine is printed on the machine data plate located as shown.



HOW TO USE THIS MANUAL

FINDING A TENNANT PART NUMBER

This manual contains the following sections:

- HOW TO USE THIS MANUAL
- STANDARD PARTS
- OPTIONS
- BREAKDOWNS
- ENGINE BREAKDOWN
- CROSS REFERENCE

The STANDARD PARTS section lists repair parts for standard machines. They are grouped in this general order:

- General wear parts.
- Machine frame and related parts.
- Machine propelling system.
- Scrubbing components.
- Electrical parts.

The OPTION section lists repair parts of options.

The BREAKDOWN section lists available repair parts of major components.

All sections in this manual consist of parts illustrations and corresponding parts lists.

The parts illustrations are numbered with **Ref** numbers which refer to corresponding parts lists.

The parts lists include a number of columns of information:

- **Ref** - column refers to the reference number on the parts illustration.
- ∇ - indicates the part is an assembly.
- ▲ - indicates the part is included in the assembly listed just before it.
- **TENNANT Part No.** - column lists the TENNANT part number for the part.
- **Serial Number** - column indicates the set of machines the part number is applicable to. Serial numbers change when the machine design has been modified. The most current design of the machine is shown in the main illustration, older designs are boxed in a corner of the illustration.
- **Description** - column is a brief description of the part.
- **Qty.** - column lists the quantity of that part used in that area of the machine.

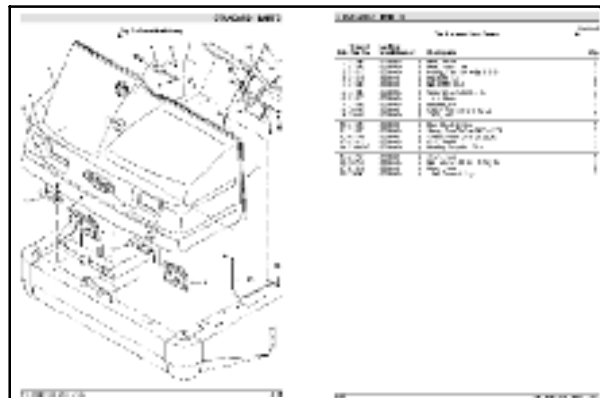
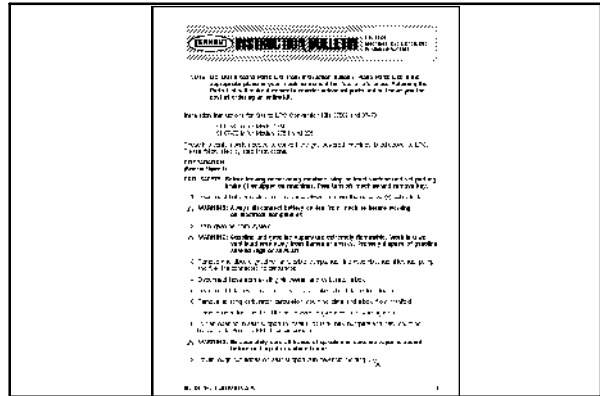


Fig. 7 - Front Hood Group

Tennant Ref. Part No.	Machine Serial Number	Description	Qty.
1 71205	(000000-)	Hood, Front	1
1 71238	(000000-)	Hood, Front, Lpg	1
2 71513	(000000-)	Molding, Trim 11-14Ga 116.0	1
3 71554	(000000-)	Headlight, 12V	2
4 21530	(000000-)	Nut, U MS X 6.8	6
5 24196	(000000-)	Screw PanHex 5/16 X .20	6
6 21523	(000000-)	Latch, Hood	1
7 21528	(000000-)	Bracket, Pin	1
8 08716	(000000-)	Screw Hex Ssm 6 X 1.0 20	2
9 69192	(000000-)	Latch, Bolt	1
10 21526	(000000-)	Rod, Hood Release	1
11 01076	(000000-)	Spring, Tens.50Cdx.04Wire 2.5L	1
12 47744	(000000-)	Swivel Control, 250-20.250a	1
13 21527	(000000-)	Rod, Hood	1
14 63469-3	(000000-)	Bearing, Snap-In .38 Id	1
15 71243	(000000-)	Cable, Hood	1
16 08712	(000000-)	Nut H40cnyh M 5X1.0 Peg Se	1
17 71941	(000000-)	Hinge, Hood	2
18 09306	(000000-)	Label, Tennant Logo	1

NOTE: If a service kit is installed on your machine, be sure to keep the **INSTRUCTION BULLETIN** which came with the kit. It contains repair parts numbers needed for ordering future parts.

NOTE: Fasteners used in this machine may be metric or non-metric. Take care when replacing hardware to replace with same thread size.



PLACING AN ORDER

Orders may be placed by phone, fax, or by mail. Phone orders may need written confirmation. Follow the steps below to insure prompt delivery:

1. Identify the model number of your machine.
2. Identify the serial number of your machine.
3. Find the part number of the part you need. Do not order by page number or reference number. If you are not able to find the part number, call your TENNANT representative for help or send the old part as a sample.
4. Determine the quantity of the part you need.
5. Provide the following company information:
 - Company name
 - Customer ID Number
 - Shipping address
 - Billing address
 - First and last name of person ordering parts
 - Telephone number
 - Purchase order number
6. Provide definitive shipping instructions.

HOW TO USE THIS MANUAL

Any claim for loss or damage to a shipment in transit should be filed promptly with the transportation company making the delivery. Shipments will be complete unless the packing list or order acknowledgement indicates items back ordered.

If parts received are suspected to be incorrect or defective, please contact the TENNANT representative from whom you ordered the part. They will give authorization for return and/or handle replacement shipments when required.

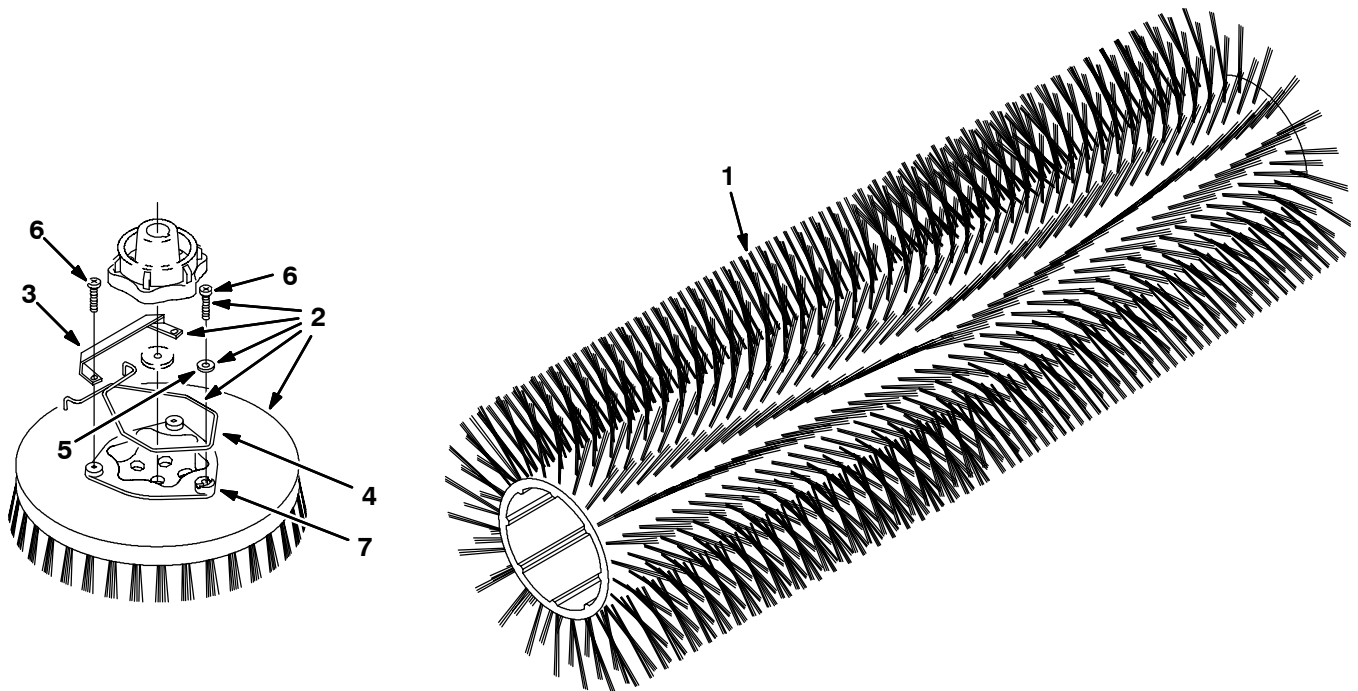
SECTION 2

Contents	Page	Contents	Page
Fig. 1 - General Recommended Maintenance Items	2-2	Fig. 39 - Solution and Recovery Tank Drain Group	2-80
Fig. 2 - Replacement Brushes	2-3	Fig. 40 - Solution and Recovery Tank Gaskets Group	2-82
Fig. 3 - Main Frame Group	2-4	Fig. 41 - Hydraulic Schematic	2-84
Fig. 4 - Main Frame Brush Doors Group	2-6	Fig. 42 - Hydraulic Hose Group	2-86
Fig. 5 - Seat and Shroud Group	2-8	Fig. 43 - Hydraulic Pumps Group	2-88
Fig. 6 - Main Frame Front Hood Group	2-10	Fig. 44 - Hydraulic Valve Group	2-90
Fig. 7 - Main Frame Engine Side Door Group	2-12	Fig. 45 - Hydraulic Reservoir Group	2-92
Fig. 8 - Main Frame Engine Cover Group	2-14	Fig. 46 - Hydraulic Filter and Cooler Group	2-94
Fig. 9 - Steering Group	2-16	Fig. 47 - Electrical Schematic (007000-007548)	2-96
Fig. 10 - Electrical Instrument Panel Assembly	2-18	Fig. 48 - Electrical Schematic (007549-008999)	2-100
Fig. 11 - Electrical Circuit Breaker and Relay Group	2-20	Fig. 49 - Electrical Schematic (009000-)	2-106
Fig. 12 - Engine Group, Gas	2-22	Fig. 50 - Electrical Wire Harnesses Group	2-116
Fig. 13 - Engine Group, LPG	2-24	Fig. 51 - Scrub Head Lift Group	2-128
Fig. 14 - Engine EFI Group, Gasoline (007000-008999)	2-26	Fig. 52 - Scrub Brush Housing Group	2-130
Fig. 15 - Engine EFI Group, Gasoline (009000-)	2-28	Fig. 53 - Scrub Brush Drive Motor Group	2-132
Fig. 16 - Engine EFI Group, LPG (007000-008999)	2-30	Fig. 54 - Scrub Brush Left Side Squeegee Group	2-134
Fig. 17 - Engine EFI and Vaporizer Group, LPG (009000-)	2-34	Fig. 55 - Scrub Brush Idler Group	2-136
Fig. 18 - Engine Air Cleaner Group, Gas (007000-008999)	2-38	Fig. 56 - Scrub Brush Right Side Squeegee Group	2-138
Fig. 19 - Engine Air Cleaner Group, Gas (009000-)	2-40	Fig. 57 - Scrub Head Debris Tray Frame Group	2-140
Fig. 20 - Engine Air Cleaner Group, LPG (007000-008999)	2-42	Fig. 58 - Scrub Head Debris Tray Trough Group	2-142
Fig. 21 - Engine Air Cleaner Group, LPG (009000-)	2-44	Fig. 59 - Rear Squeegee Lift Group	2-144
Fig. 22 - Engine Alternator Group	2-46	Fig. 60 - Rear Squeegee Linkage Group	2-146
Fig. 23 - Engine Muffler Group, Catalytic (007000-008999)	2-48	Fig. 61 - Rear Squeegee Assembly	2-148
Fig. 24 - Engine Muffler Group, Catalytic (009000-)	2-50	Fig. 62 - Rear Squeegee Caster Assembly	2-150
Fig. 25 - Engine Fuel Tank Group, Gasoline (007000-008999)	2-52	Fig. 63 - FaST Air Pump and Detergent Group	2-152
Fig. 26 - Engine Fuel Tank Group, Gasoline (009000-)	2-54	Fig. 64 - FaST Foam Filter Group	2-154
Fig. 27 - Engine Fuel Tank Group, LPG	2-56	Fig. 65 - FaST Solution Pump Group	2-156
Fig. 28 - Engine Radiator Group	2-58	Fig. 66 - FaST Electrical Group	2-158
Fig. 29 - Engine Cooling Fan and Housing Group	2-60	Fig. 67 - Label Group	2-162
Fig. 30 - Engine Battery Group	2-62		
Fig. 31 - Wheel Group, Front Drive	2-64		
Fig. 32 - Wheels and Brakes Group, Rear	2-66		
Fig. 33 - Brake Pedal Group	2-68		
Fig. 34 - Directional Pedal and Linkage Group	2-70		
Fig. 35 - Vacuum Fan Group	2-72		
Fig. 36 - Solution Control Group	2-74		
Fig. 37 - Solution Tank Group	2-76		
Fig. 38 - Recovery Tank Group	2-78		

Fig. 1 - General Recommended Maintenance Items

Ref.	Part No.	Serial Number	Description	Qty.
	371972	(007000-) Element, Fltr, Oil, Eng, Spin-On	1
	372440	(007000-) Filter, Fuel [Gm 1.6/3.0]	1
	65869-1	(007000-) Oil, Hydr. Shp 15/40 1Gal	6
	372575	(007000-) Sparkplug [Gm]	4
	369746	(007000-) Element, Fltr, Air [Dn]	1
	71235	(007000-) Hose, 3.0 Dia Squeegee	1
	20971	(007000-) Hose, Vacuum 4.0	1
	71102	(007000-) Hose, Vacuum, Tray	1
	71255	(007000-) Blade, Squeegee, Front	2
	71256	(007000-) Blade, Squeegee, Rear	2
	71839	(007000-) Squeegee Assy, S Br	2
	12678	(007000-) Skirt, Side Brush	2
	86859	(007000-) Squeegee, Side	2
	71200	(007000-) Skirt, Brush Arm, Rh	2
	20833	(007000-) Wheel, 3 Inch Dia.	2
	02931	(007000-) Nut-Hxlocnyln .50-13 Regss18-8	2
	21614	(007000-) Bumper Kit, Squeegee	2
	58114	(007000-) Fan, Repair Kit, Reassembly	1
	1021878	(007549-) Detergent Pkg, 4 Liter, Sgl [Tco 665]	1
▽	9003512	(009000-) Maint Kit, 400hr [7400 Gas 07]	1
▲	372575	(009000-) Sparkplug [Gm]	4
▲	369746	(009000-) Element, Fltr, Air [Dn]	1
▲	371972	(009000-) Element, Fltr, Oil, Eng, Spin-On	1
▲	372440	(009000-) Filter, Fuel [Gm 1.6/3.0]	1
▲	65221	(009000-) Element, Fltr, Oil, Spin-On	1
▲	1033644	(009000-) Belt, Ribbed, 38.5l	1
▲	71728	(009000-) Cap, Breather, Hyd, 7.0 Ds	1
▲	31613	(009000-) Strainer, Hyd, 25 Gpm 100 Mesh	1
▽	9003513	(009000-) Maint Kit, 400hr [7400 Lpg 07]	1
▲	372575	(009000-) Sparkplug [Gm]	4
▲	369746	(009000-) Element, Fltr, Air [Dn]	1
▲	371972	(009000-) Element, Fltr, Oil, Eng, Spin-On	1
▲	65221	(009000-) Element, Fltr, Oil, Spin-On	1
▲	1033644	(009000-) Belt, Ribbed, 38.5l	1
▲	71728	(009000-) Cap, Breather, Hyd, 7.0 Ds	1
▲	31613	(009000-) Strainer, Hyd, 25 Gpm 100 Mesh	1
▲	372615	(009000-) Filter Kit, Fuelock, Lpg	1

Fig. 2 - Replacement Brushes



10784 - ALL

Ref.	Part No.	Serial Number	Description	Qty.	
1	71170	(007000-) Brush, Scb, Polypropylene	2	
1	71612	(007000-) Brush, Scb, Super Abrasive	2	
1	71171	(007000-) Brush, Scb, Soft Nylon	2	
▽	2	05725	(007000-) Brush Assy, Scb, H. D. Polypropylene	1
▲	3	24299	(007000-) Bracket Spring Retainer	1
▲	4	14838	(007000-) Spring, Brush Retaining	1
▲	5	01684	(007000-) Washer, Flat, 0.25 Ss	1
▲	6	32746	(007000-) Screw, Pan, M6 X 1.0 X 35, Ss	3
▲	7	15539	(007000-) Hub, Drive, Brush, Disk, 3hole 5.8bc[6t]	1
▽	2	05726	(007000-) Brush Assy, Scb, Super Abrasive	1
▲	3	24299	(007000-) Bracket Spring Retainer	1
▲	4	14838	(007000-) Spring, Brush Retaining	1
▲	5	01684	(007000-) Washer, Flat, 0.25 Ss	1
▲	6	32746	(007000-) Screw, Pan, M6 X 1.0 X 35, Ss	3
▲	7	15539	(007000-) Hub, Drive, Brush, Disk, 3hole 5.8bc[6t]	1
▽	2	05724	(007000-) Brush Assy, Scb, Soft Nylon	1
▲	3	24299	(007000-) Bracket Spring Retainer	1
▲	4	14838	(007000-) Spring, Brush Retaining	1
▲	5	01684	(007000-) Washer, Flat, 0.25 Ss	1
▲	6	32746	(007000-) Screw, Pan, M6 X 1.0 X 35, Ss	3
▲	7	15539	(007000-) Hub, Drive, Brush, Disk, 3hole 5.8bc[6t]	1

Note: Scrub Brushes Must Be Matched With Proper Hydraulic Cartridge.

Fig. 3 - Main Frame Group

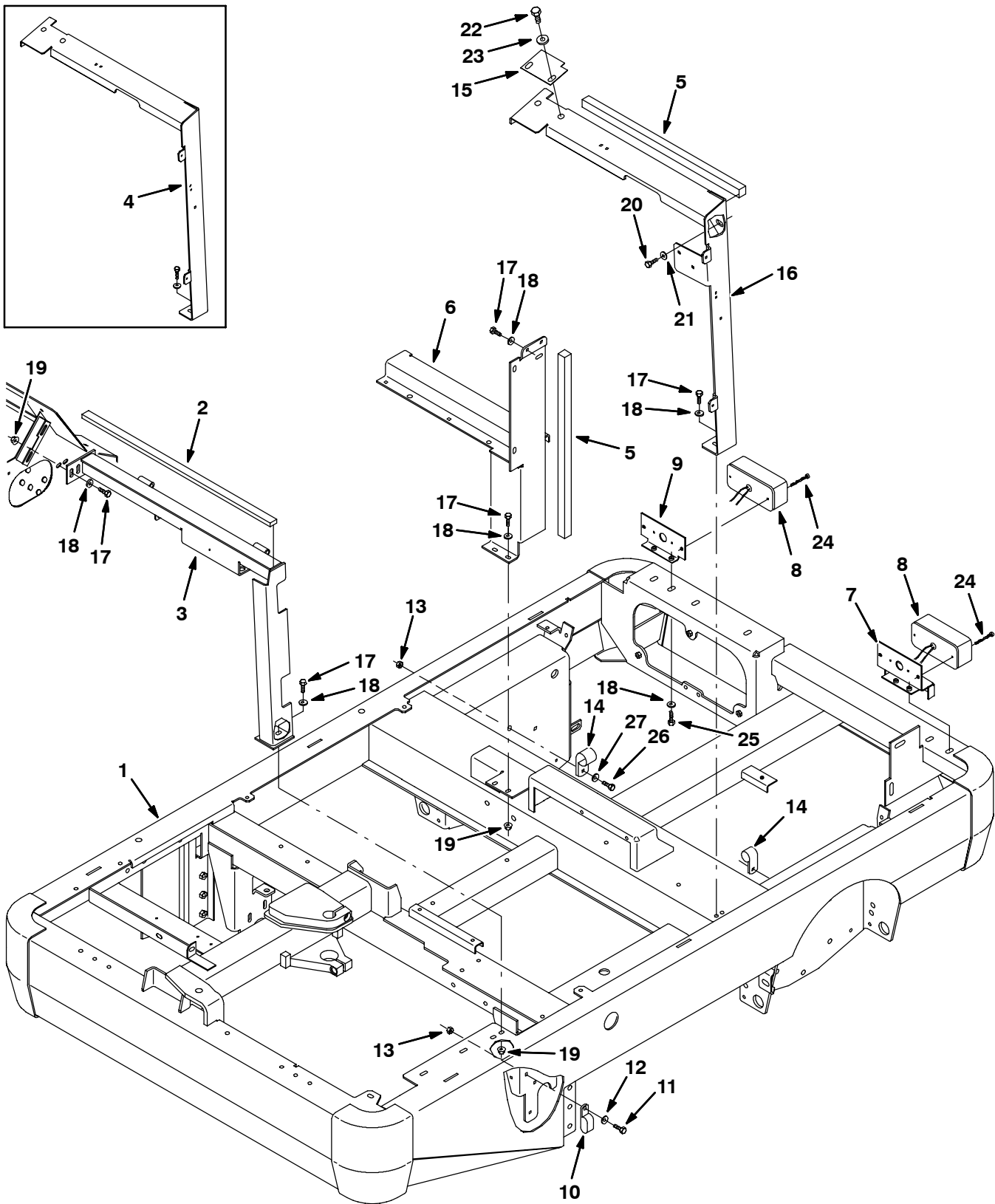


Fig. 3 - Main Frame Group

Ref.	Part No.	Serial Number	Description	Qty.	
1	71289	(007000-) Frame Wldt, Main	1	
2	20789	(007000-) Insulation, S/Foam	1	
3	1010768	(007000-) Lintel Wldt, Hood	1	
4	25820	(007000-007743) Lintel Wldt W/Label	1	
5	20805	(007000-) Insulation, S/Foam	2	
6	71961	(007000-) Lintel Wldt, Rear, Rh	1	
7	20935	(007000-) Bracket, Mounting	1	
▽	8	71606	(007000-) Taillight Assy	2
▲		45780	(007000-) Bulb, 12V .5A 4Cp #1157	1
9	20936	(007000-) Bracket, Mtg	1	
10	53466	(007000-) Clamp, Cable, Stl, 1.50 X 1.00W, 1H	1	
11	09740	(007000-) Scr Hexssm 8X1.25	1	
12	01685	(007000-) Washer Flt .31 Ss	1	
13	08713	(007000-) Nut-Hxlocnyln M 8X1.25 Reg Ss	1	
14	53466	(007000-) Clamp-Cable 1.50D 1.00W	2	
15	71886	(007000-) Plate, Filler	1	
16	377448	(007744-) Lintel Wldt, W/ Label [7400]	1	
17	39277	(007000-) Screw, Hex, M8 X 1.25 X 25	11	
18	32491	(007000-) Washer, Flat, 0.31 Std	15	
19	07791	(007000-) Nut, Hex, Flng, M8 X 1.25	9	
20	12273	(007000-) Screw, Hex, M8 X 1.25 X 20, Ss, NI	2	
21	13248	(007000-) Washer, Flat, 0.40b 1.12d .12, Stl, PI	2	
22	41345	(007000-) Screw, Hex, M12 X 1.75 X 25, 8.8	2	
23	32486	(007000-) Washer, Flat, 0.50 Sae	2	
24	54093	(007000-) Screw, Chz, M5 X 0.8 X 60, 4.8	4	
25	16931	(007000-) Screw, Hex, M8 X 1.25 X 20, 8.8	4	
26	09010	(007000-) Screw, Hex, M8 X 1.25 X 25, Ss	2	
27	32485	(007000-) Washer, Flat, 0.38 Sae	2	

Fig. 4 - Main Frame Brush Doors Group

Ref.	Part No.	Serial Number	Description	Qty.
1	71322	(007000-) Door Wldt, Brush, Lh	1
2	01686	(007000-) Washer Flt .38 Ss	9
3	09028	(007000-) Scr Hexssm 10X1.5 25	9
4	59195	(007000-) Latch, Hook	1
5	01684	(007000-) Washer Flt .25 Ss	4
6	09007	(007000-) Scr Hexssm 6X1.0 25	4
7	59192	(007000-) Latch, Bolt	2
8	41619	(007000-) Washer Flt .50 Ss	2
9	07788	(007000-) Nut Hx Std Ss M12X1.75	2
10	71330	(007000-) Door Wldt, Brush, Rh	1
11	59194	(007000-) Latch, Hook	1
12	20791	(007000-) Panel Wldt, Filler	1

Fig. 5 - Seat and Shroud Group

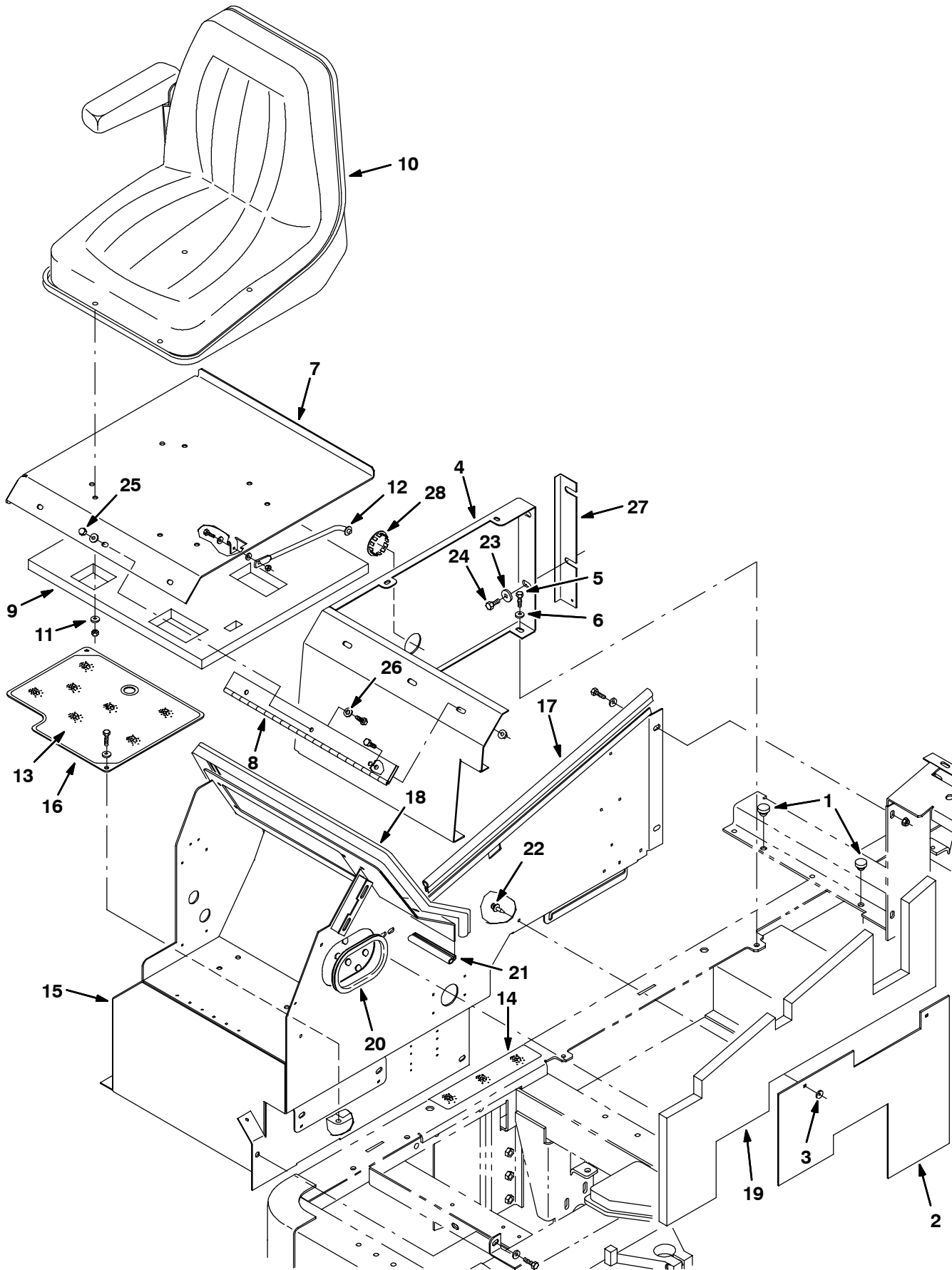


Fig. 5 - Seat and Shroud Group

Ref.	Part No.	Serial Number	Description	Qty.
1	71891	(007000-) Bumper, Rubber	2
2	71487	(007000-) Skirt, Center	1
3	41178	(007000-) Washer-Flt .25 Fender Pltd	2
4	71962	(007000-) Panel, Seat, Rh	1
5	09010	(007000-) Scr Hexssm 8X1.25 25	3
6	01685	(007000-) Washer Flt .31 Ss	3
7	71963	(007000-) Panel, Seat, Top	1
8	75272	(007000-) Hinge, Seat	1
9	71787	(007000-) Insulation, Acoustic, Seat	1
▽	10 77235	(007000-) Seat, Michigan	1
▲	369810	(007000-) Kit, Replacement, Armrest	1
▲	388134	(007000-) Armrest, Molded	1
11	41186	(007000-) Washer-Belleville .31 Pltd	4
12	54615	(007000-) Rod, Seat	1
13	71790	(007000-) Tread, Floor, 14.2 11.7	1
14	58819	(007000-) Tread, Floor, 11.6 3.0	1
15	25794	(007000-007548) Panel Assy, Instr W/Label	1
15	9000356	(007549-) Panel, Instmt, W/ Label [7400 Gm1.6]	1
16	71980	(007000-) Plate, Floor	1
17	21638	(007000-) Seal, Bulb, Sd-0168 28.44 Lg	1
18	25678	(007000-) Seal, Bulb, Sd-0504 68.75Lg	1
19	20788	(007000-) Insulation, S/Foam	1
20	87742	(007000-) Molding, Trim 11-14Ga 20.0	1
21	20813	(007000-) Seal, Bulb	1
22	72970	(007000-) Rivet, Plastic .250Dx.898	2
23	13248	(007000-) Washer, .400B 1.12D .12Cr Znc	2
24	12273	(007000-) Scr-Hexss M8X 1.25 20 Nylonloc	2
25	41128	(007000-) Nut-Low Crown .31-18 Pltd	3
26	32984	(007000-) Washer-Loc Int .31 Pltd	3
27	369891	(007000-) Angle, Trim	1
28	47178-6	(007549-) Button, Plug, 2.00h .04-.19 [Chm Stl]	1

Fig. 6 - Main Frame Front Hood Group

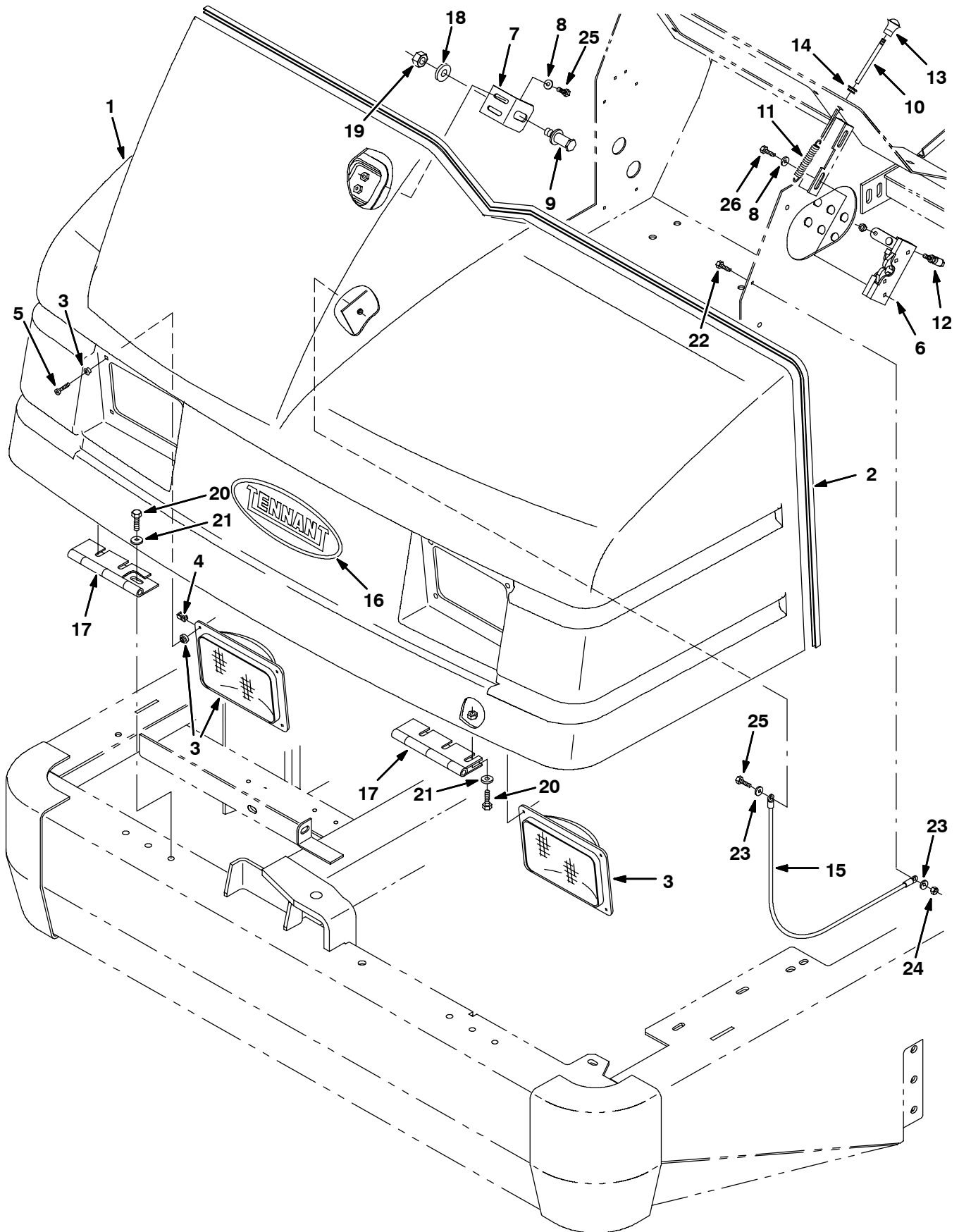


Fig. 6 - Main Frame Front Hood Group

Ref.	Part No.	Serial Number	Description	Qty.
1	71205	(007000-) Hood, Front	1
1	71238	(007000-) Hood, Front, Lpg	1
2	71613	(007000-) Molding, Trim 11-14Ga 116.0	1
3	58524	(007000-) Headlight, 12vdc, 50watt . A	2
4	21630	(007000-) Nut, U M5 X 0.8	8
5	24196	(007000-) Screw Panssm 5X0.8 20	8
6	21623	(007000-) Latch, Hook	1
7	21628	(007000-) Bracket, Pin	1
8	32490	(007000-) Washer, Flat, 0.25, Std	4
9	59192	(007000-) Latch, Bolt	1
10	21626	(007000-) Rod, Hood Release	1
11	01076	(007000-) Spring, Tens.50Odx.04Wire 2.5L	1
12	47744	(007000-) Swivel Control .250-28.25Dia	1
13	21627	(007000-) Knob, Hood	1
14	63469-3	(007000-) Bearing, Snap-In .38 Id	1
15	71243	(007000-) Cable, Hood	1
16	09806	(007000-) Label, Tennant Logo	1
17	71941	(007000-) Hinge, Hood	2
18	41619	(007000-) Washer, Flat, 0.56b 1.38d .11, Ss	1
19	07788	(007000-) Nut, Hex, Std, M12 X 1.75, Ss	1
20	39277	(007000-) Screw, Hex, M8 X 1.25 X 25, 8.8	12
21	32491	(007000-) Washer, Flat, 0.31, Std	12
22	06943	(007000-) Screw, Hex, M6 X 1.0 X 20, 8.8	1
23	32490	(007000-) Washer, Flat, 0.25, Std	2
24	08708	(007000-) Nut, Hex, Lock, M6 X 1.00, NI	1
25	12274	(007000-) Screw, Hex, M6 X 1.0 X 20, 8.8, NI	6
26	06944	(007000-) Screw, Hex, M6 X 1.0 X 25, 8.8	2

Fig. 7 - Main Frame Engine Side Door Group

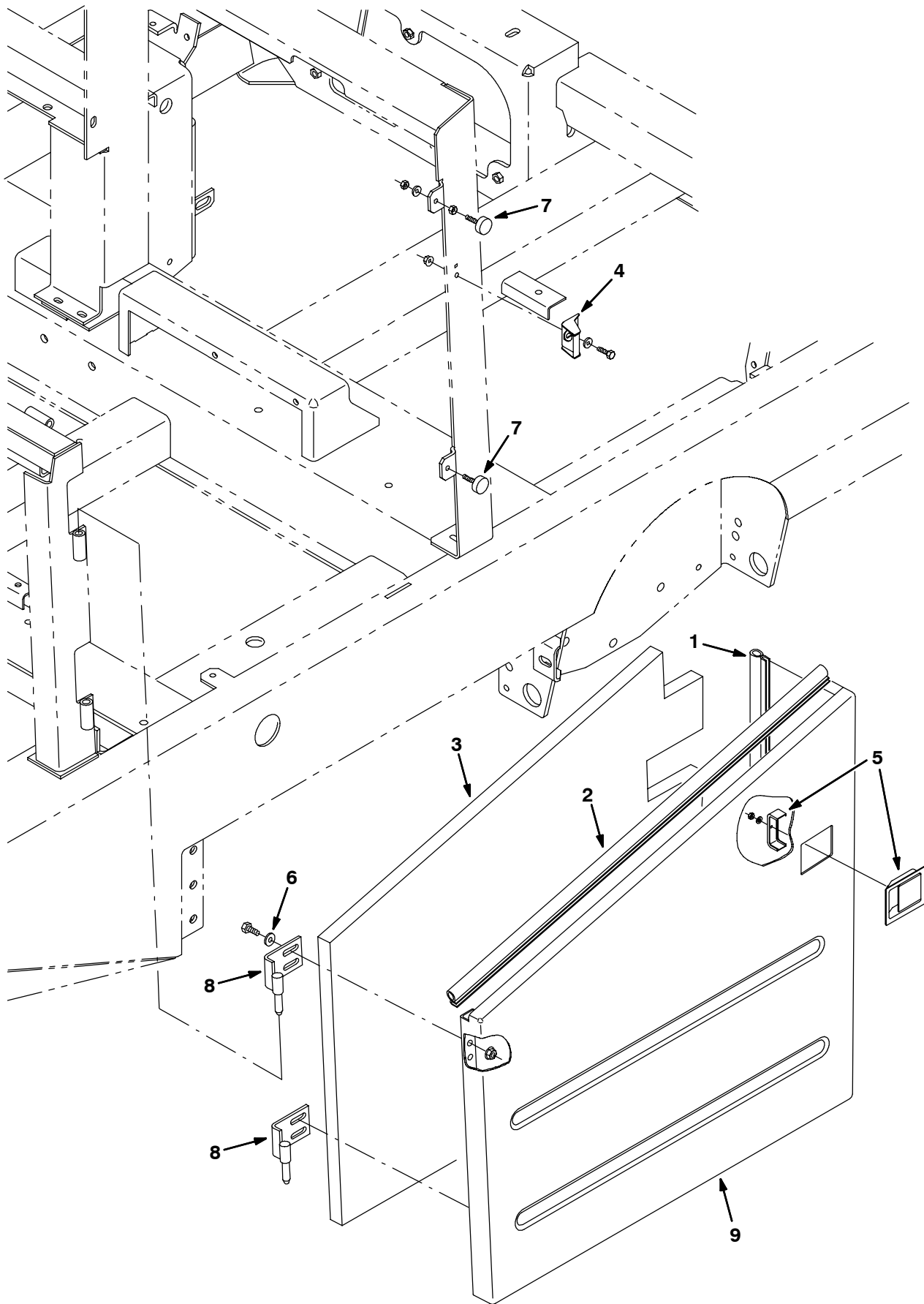


Fig. 7 - Main Frame Engine Side Door Group

Ref.	Part No.	Serial Number	Description	Qty.
1	25673	(007000-) Seal, Bulb, Sd-0168 27.75 Lg	1
2	391803	(007000-) Seal, Bulb, Sd-0504 32.50Lg	1
3	20784	(007000-) Insulation, S/Foam	1
4	20820	(007000-) Bracket, Latch	1
5	20822	(007000-) Latch, Door	1
6	41186	(007000-) Washer-Belleville .31 Pltd	4
7	20802	(007000-) Bumper, Rubber	2
8	71931	(007000-) Bracket Wldt, Hinge	2
9	71927	(007000-) Door, Side, Engine	1

Fig. 8 - Main Frame Engine Cover Group

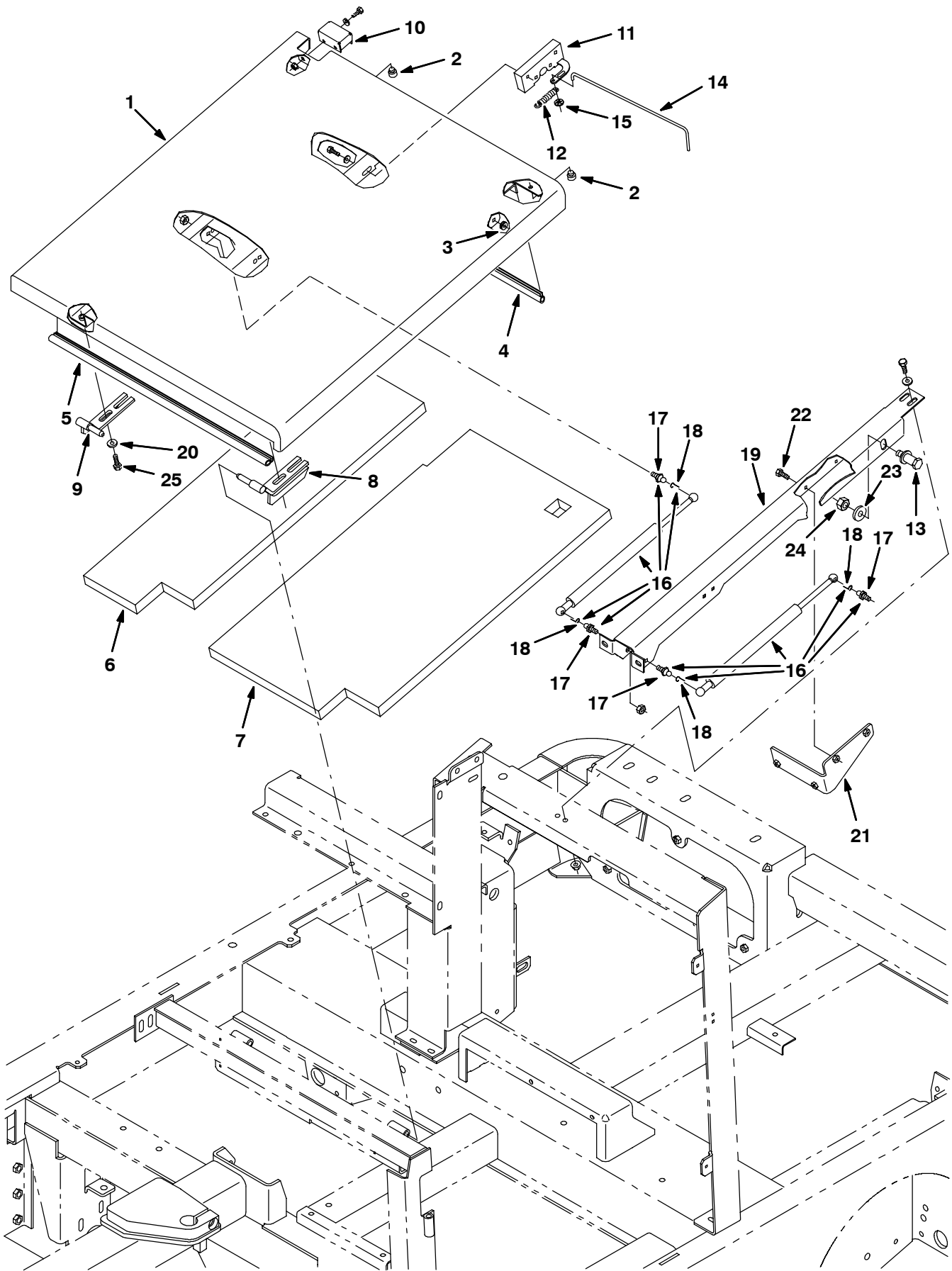


Fig. 8 - Main Frame Engine Cover Group

Ref.	Part No.	Serial Number	Description	Qty.	
1	20809	(007000-) Cover Assy, Engine Top	1	
2	51787	(007000-) Bumper, Rubber	2	
3	10632-5	(007000-) Grommet Rbr 0.25Id For .09Matl	1	
4	21631	(007000-) Seal, Bulb, Sd-0168 29.25Lg	1	
5	25677	(007000-) Seal-Bulb, Sd-0504 24.50Lg	1	
6	20782	(007000-) Insulation, S/Foam	1	
7	20785	(007000-) Insulation, S/Foam	1	
8	71939	(007000-) Bracket Wldt, Hinge, Lh	1	
9	71929	(007000-) Bracket Wldt, Hinge, Rh	1	
10	71934	(007000-) Cover, Filler Pocket	1	
11	59514	(007000-) Latch	1	
12	53091	(007000-) Sprng,Tens,0.50Odx.05Wire 1.0L	1	
13	59192	(007000-) Latch, Bolt	1	
14	71898	(007000-) Rod, Latch, Engine Cover	1	
15	21625	(007000-) Clip, Push On .187 Dia	1	
▽	16	69906	(007000-) Spring-Gas Assy, Engine Cover	2
▲	17	58494	(007000-) Stud, Ball, Gas Spring	4
▲	18	64595	(007000-) Clip Safety	4
	19	1011599	(007000-) Channel, Stiffener, Lintel	1
	20	41186	(007000-) Washer-Belleville .31 Pltd	4
	21	1016074	(007079-008999)	Bracket, Mtg, Relay [Gm1.6l 7400]	1
	22	06943	(007079-008999)	Screw, Hex, M6 X 1.0 X 20, 8.8	2
	23	41619	(007000-) Washer, Flat, 0.56b 1.38d .11, Ss	1
	24	07788	(007000-) Nut, Hex, Std, M12 X 1.75, Ss	1
	25	39277	(007000-) Screw, Hex, M8 X 1.25 X 25, 8.8	4

Fig. 9 - Steering Group

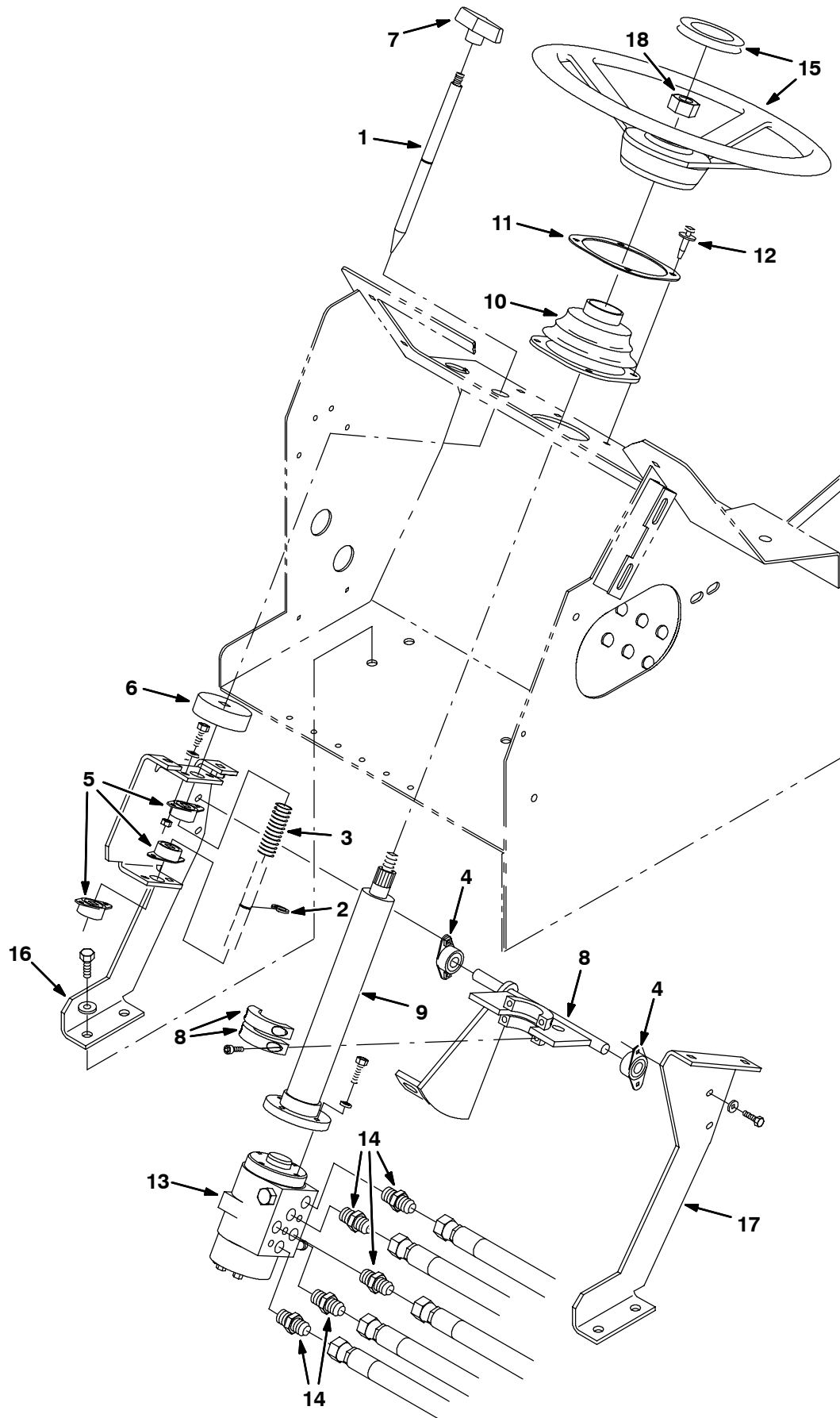


Fig. 9 - Steering Group

Ref.	Part No.	Serial Number	Description	Qty.
1	64651	(007000-) Rod, Latch, Steering, Tilt	1
2	70717	(007000-) Ring, Retain, Ex0.50Od,Heavydt	1
3	22290	(007000-) Sprng,Comp,0.62Idx.06Wire 2.3L	1
4	70709	(007000-) Bearing, Flange .500B	2
5	47585	(007000-) Bearing-Flange,2 Hole 0.50Bore	3
6	75968	(007000-) Seal, Bearing	1
7	04706	(007000-) Handle Lift Brush	1
8	73027	(007000-) Bracket Wldt, Steering, Tilt	1
9	73061	(007000-) Column, Steering #2 10Lg Wire	1
10	70622	(007000-) Seal, Boot, Steering Column	1
11	70623	(007000-) Plate, Mount, Steering Boot	1
12	72970	(007000-) Rivet, Plastic .250D X .898	4
13	71713	(007000-) Steer Control, Hyd (See Breakdowns)	1
14	56690	(007000-) Ftg-Hyd Str Jm06/Om06	5
15	56398	(007000-) Wheel, Steering, 14.0d, Taper Bore	1
16	71172	(007000-) Panel, Tilt, Rh	1
17	71173	(007000-) Panel, Tilt, Lh	1
18	56185	(007000-) Nut-Hx Jam M20 X 1.5 4 Pltd	1

Fig. 10 - Electrical Instrument Panel Assembly

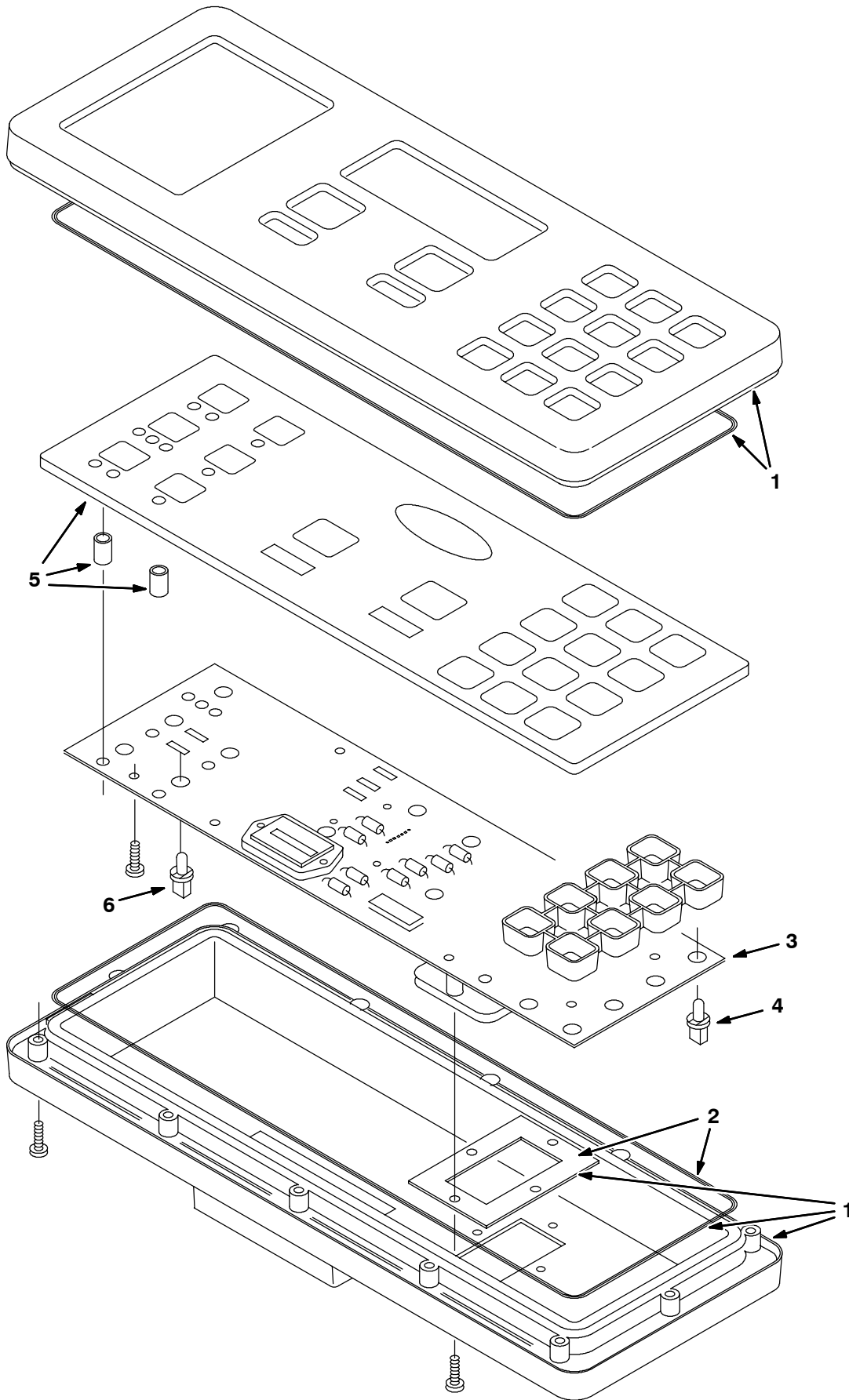


Fig. 10 - Electrical Instrument Panel Assembly

	Ref.	Part No.	Serial Number	Description	Qty.
▽		9003613	(007000-) Replm Kit, Instr.Panel	1
▲	1	59976	(007000-) Replmt Kit, Case	1
▲	2	59977	(007000-) Replmt Kit, Seal,	1
▲	3	71594	(007000-) Replm Kit, Cir Board	1
▲	4	56346	(007000-) Replmt Kit, Lamp, Fault (8)	1
▲	5	9003612	(007000-) Replm Kit, Touch Panel	1
▲	6	59971	(007000-) Replmt Kit, Lamp, Backlighting (8)	2

Fig. 11 - Electrical Circuit Breaker and Relay Group

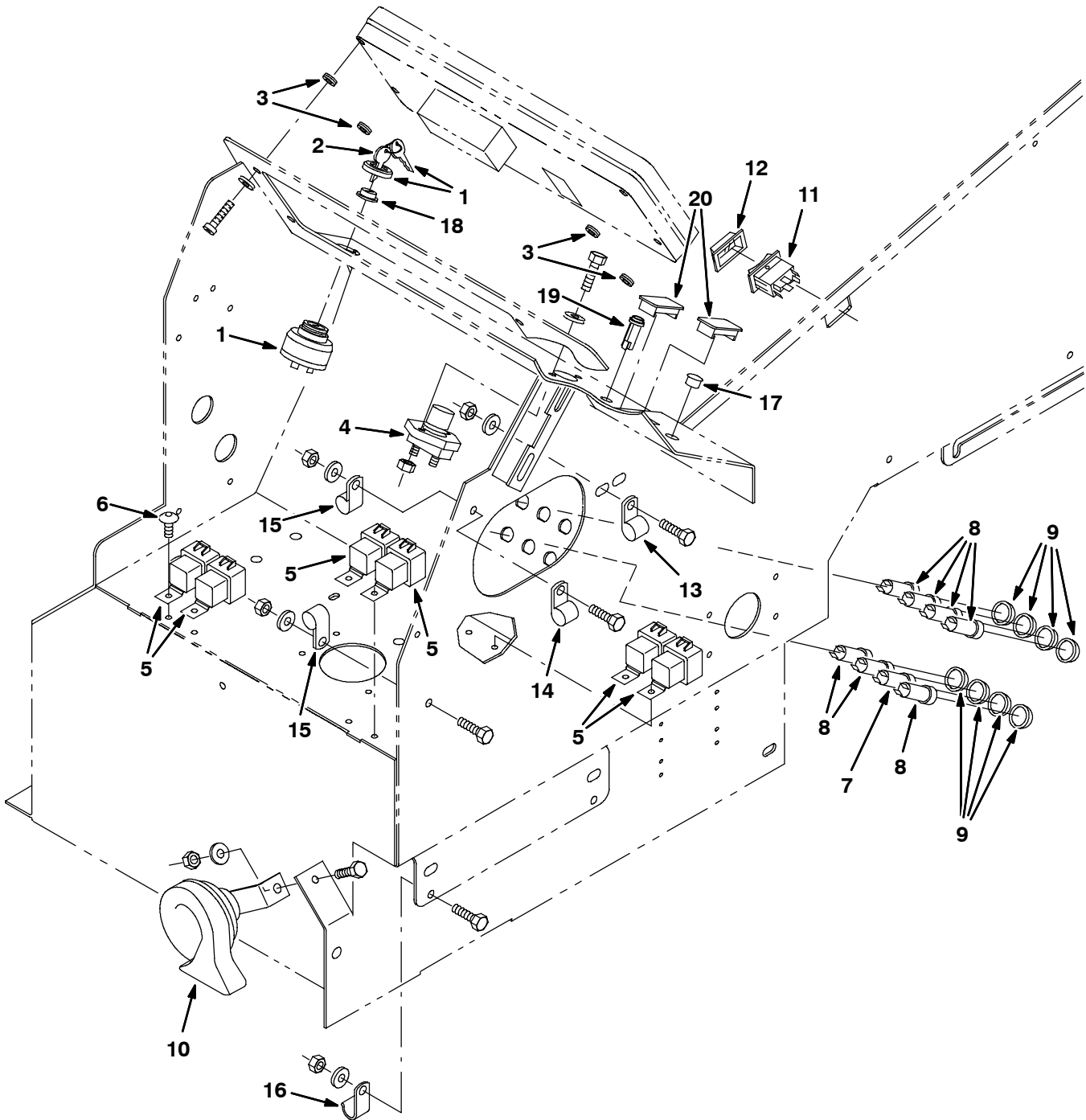


Fig. 11 - Electrical Circuit Breaker and Relay Group

Ref.	Part No.	Serial Number	Description	Qty.
▽	1	87536	(007000-) Switch, Ign [Ku]	1
▲	2	87866	(007000-) Key Set, Switch	1
	3	10632-5	(007000-) Grommet Rbr 0.25Id For .09Matl	4
	4	44078	(007000-) Switch, Pushmom, Spst100A 12V	1
	5	56186	(007000-) Relay, Shrouded, 12 Vdc	6
	6	72970	(007000-) Rivet, Plastic .250Dx.898	6
	7	27920	(007000-007548) Breaker-Circuit, 5A Resetable	1
	7	57803	(007549-) Breaker-Circuit, 15A Resetable	1
	8	57803	(007000-) Breaker-Circuit, 15A Resetable	7
	9	57751	(007000-) Boot, Circuit Breaker	8
	10	369704	(007000-) Horn, 12 Volt	1
	11	71665	(007000-) Switch, Progressive	1
	12	57807	(007000-) Cover, Rocker Switch Seal	1
	13	67767	(007000-) Clamp-Cable, .69Dia. 62Wth	1
	14	40678	(007000-) Clamp, Cable .44D .62Wide	1
	15	69234	(007000-) Clamp-Cable, 1.00Dia. .62Wth	2
	16	30407	(007000-) Clip, Keeper, Open	2
	17	02431	(007000-) Plugbtn .56H .03- .12 Blacknyl	1
	18	382516	(007000-) Boot, Switch	1
	19	1012185	(007000-) Light, Check Eng, Amb	1
	20	762521	(007549-) Plug, Panl, Switch	2

Fig. 12 - Engine Group, Gas

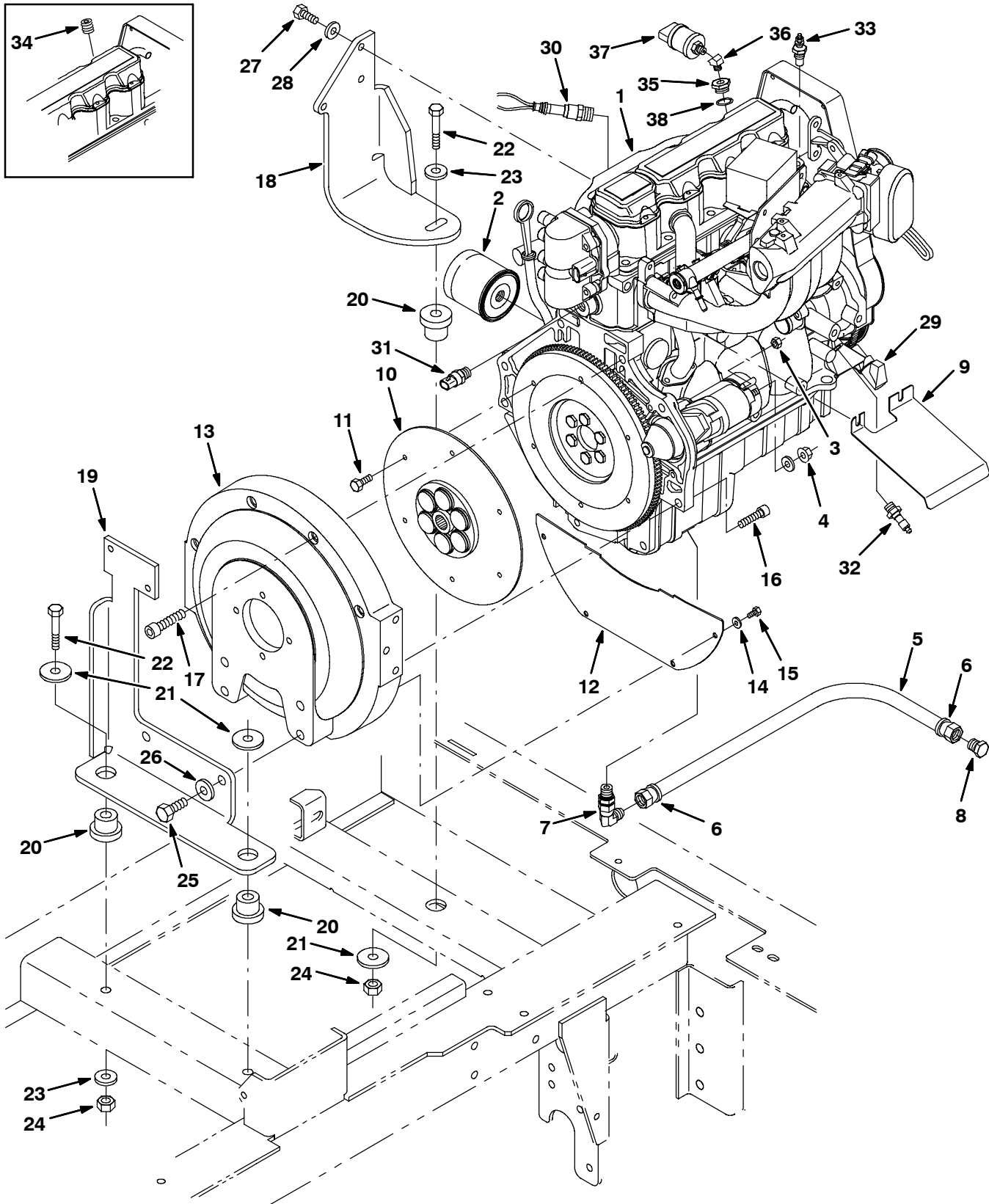


Fig. 12 - Engine Group, Gas

	Ref.	Part No.	Serial Number	Description	Qty.
▽	1	372862	(007000-) Engine, Block, Long [Gm1.6l] (See Engine Breakdown)	1
▲	2	371972	(007000-) Element, Fltr, Oil, Eng, Spin-On	1
	3	41359	(007000-) Nut, Hex, Std, M6 X 1.0, 8	1
	4	07791	(007000-) Nut, Hex, Flng, M8 X 1.25	1
	5	371855	(007000-) Hose, Hyd, 26.0l	1
	6	371876	(007000-) Fitting, Hose End	2
	7	372541	(007000-) Fitting, E90, M14 X .56	1
	8	371890	(007000-) Fitting, Pipe, Plug	1
	9	372556	(007000-) Shield, Starter [1.6l]	1
	10	371866	(007000-) Coupling, Drive, 13t	1
	11	372554	(007000-) Screw, Hex, M7-1.0 X 23.0, 8.8	6
	12	371868	(007000-) Cover, Hsng, Flywheel	1
	13	371869	(007000-) Housing, Pump	1
	14	32490	(007000-) Washer, Flat, 0.25 Std	4
	15	19315	(007000-) Screw, Hex, .25-20 X 0.50, 5	4
	16	10832	(007000-) Screw, Soc, .38-16 X 1.50, Al	2
	17	371870	(007000-) Screw, Soc, M12 X 1.75 X 55, 10.9	4
	18	1011164	(007000-) Bracket, Mtg, Front [Gm1.6l 7400]	1
	19	1011169	(007000-) Bracket, Mtg, Rear [Gm1.6l 7400]	1
	20	51176	(007000-) Isolator, Vib, Dia .50 [Ko]	3
	21	04414	(007000-) Washer, Flat, 0.53b 1.88d .12, Stl, Pl	3
	22	06972	(007000-) Screw, Hex, M12 X 1.75 X 60, 8.8	3
	23	32493	(007000-) Washer, Flat, 0.50 Std	3
	24	08711	(007000-) Nut, Hex, Lock, M12 X 1.75, NI	3
	25	39810	(007000-) Screw, Hex, .50-13 X 1.25, 5	2
	26	32486	(007000-) Washer, Flat, 0.50 Sae	2
	27	39283	(007000-) Screw, Hex, M10 X 1.5 X 25, 8.8	3
	28	32485	(007000-) Washer, Flat, 0.38 Sae	3
	29	372002	(007000-) Sensor, Position, Cshft	1
	30	372491	(007000-008999)) Sensor, Oxygen	1
	30	1028559	(009000-) Sensor, Oxygen [Gm 1.6l/3.0l 2007]	1
	31	372953	(007000-) Sensor, Temp, Coolant	1
	32	371996	(007000-) Switch, Indicator, Oil Press	1
	33	58592	(007000-) Send-Unit, Water, Temp, 04npt 113oh/195d	1
	34	371860	(007000-008999)) Fitting, Pipe, Plug, Metric, M18, Soc	1
	35	1031439	(009000-) Fitting, Pipe, Bshg, M18 X 1.5	1
	36	24976	(009000-) Fitting, Brs, E45, Pf02/Pm02	1
	37	79399	(009000-) Switch, Press, Dpdt 0006psi	1
	38	385029	(009000-) Gasket, Plug, Relief Valve, Oil Press	1

Fig. 13 - Engine Group, LPG

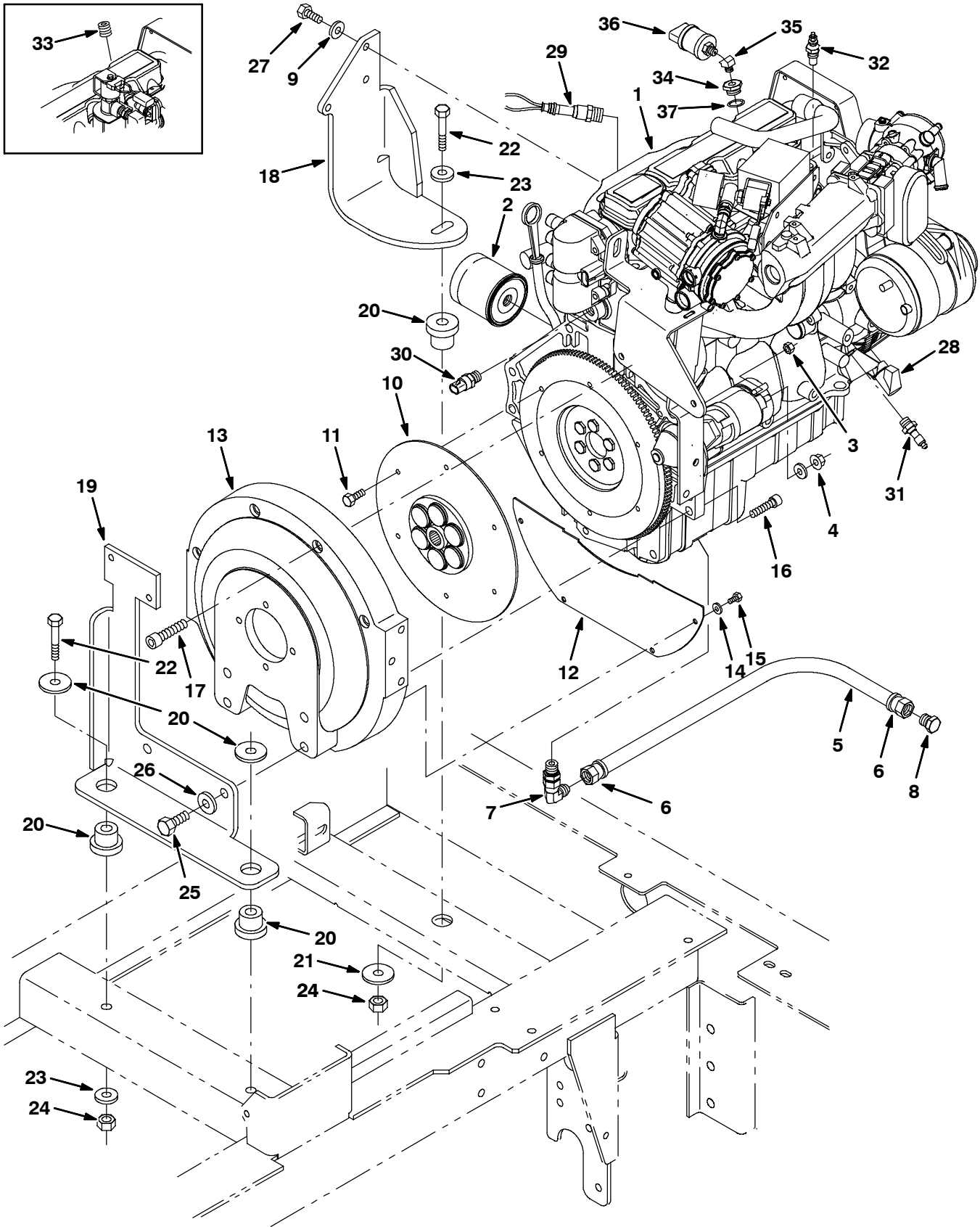


Fig. 13 - Engine Group, LPG

Ref.	Part No.	Serial Number	Description	Qty.
▽	1	372862	(007000-) Engine, Block, Long [Gm1.6l] (See Engine Breakdown)	1
▲	2	371972	(007000-) Element, Fltr, Oil, Eng, Spin-On	1
	3	41359	(007000-) Nut, Hex, Std, M6 X 1.0, 8	1
	4	07791	(007000-) Nut, Hex, Flng, M8 X 1.25	1
	5	371855	(007000-) Hose, Hyd, 26.0l	1
	6	371876	(007000-) Fitting, Hose End	2
	7	372541	(007000-) Fitting, E90, M14 X .56	1
	8	371890	(007000-) Fitting, Pipe, Plug	1
	9	32485	(007000-) Washer, Flat, 0.38 Sae	3
	10	371866	(007000-) Coupling, Drive, 13t	1
	11	372554	(007000-) Screw, Hex, M7-1.0 X 23.0, 8.8	6
	12	371868	(007000-) Cover, Hsng, Flywheel	1
	13	371869	(007000-) Housing, Pump	1
	14	32490	(007000-) Washer, Flat, 0.25 Std	4
	15	19315	(007000-) Screw, Hex, .25-20 X 0.50, 5	4
	16	10832	(007000-) Screw, Soc, .38-16 X 1.50, Al	2
	17	371870	(007000-) Screw, Soc, M12 X 1.75 X 55, 10.9	4
	18	1011164	(007000-) Bracket, Mtg, Front [Gm1.6l 7400]	1
	19	1011169	(007000-) Bracket, Mtg, Rear [Gm1.6l 7400]	1
	20	51176	(007000-) Isolator, Vib, Dia .50 [Ko]	3
	21	04414	(007000-) Washer, Flat, 0.53b 1.88d .12, Stl, Pl	3
	22	06972	(007000-) Screw, Hex, M12 X 1.75 X 60, 8.8	3
	23	32493	(007000-) Washer, Flat, 0.50 Std	3
	24	08711	(007000-) Nut, Hex, Lock, M12 X 1.75,NI	3
	25	39810	(007000-) Screw, Hex, .50-13 X 1.25, 5	2
	26	32486	(007000-) Washer, Flat, 0.50 Sae	2
	27	39283	(007000-) Screw, Hex, M10 X 1.5 X 25, 8.8	3
	28	372002	(007000-) Sensor, Position, Cshft	1
	29	372491	(007000-008999) Sensor, Oxygen	1
1028559	29	1028559	(009000-) Sensor, Oxygen [Gm 1.6l/3.0l 2007]	1
	30	372953	(007000-) Sensor, Temp, Coolant	1
	31	371996	(007000-) Switch, Indicator, Oil Press	1
	32	58592	(007000-) Send-Unit, Water, Temp, 04npt 113oh/195d	1
	33	371860	(007000-008999) Fitting, Pipe, Plug, Metric, M18, Soc	1
	34	1031439	(009000-) Fitting, Pipe, Bshg, M18 X 1.5	1
	35	24976	(009000-) Fitting, Brs, E45, Pf02/Pm02	1
	36	79399	(009000-) Switch, Press, Dpdt 0006psi	1
	37	385029	(009000-) Gasket, Plug, Relief Valve,Oil Press	1

STANDARD PARTS

Fig. 14 - Engine EFI Group, Gasoline (007000-008999)

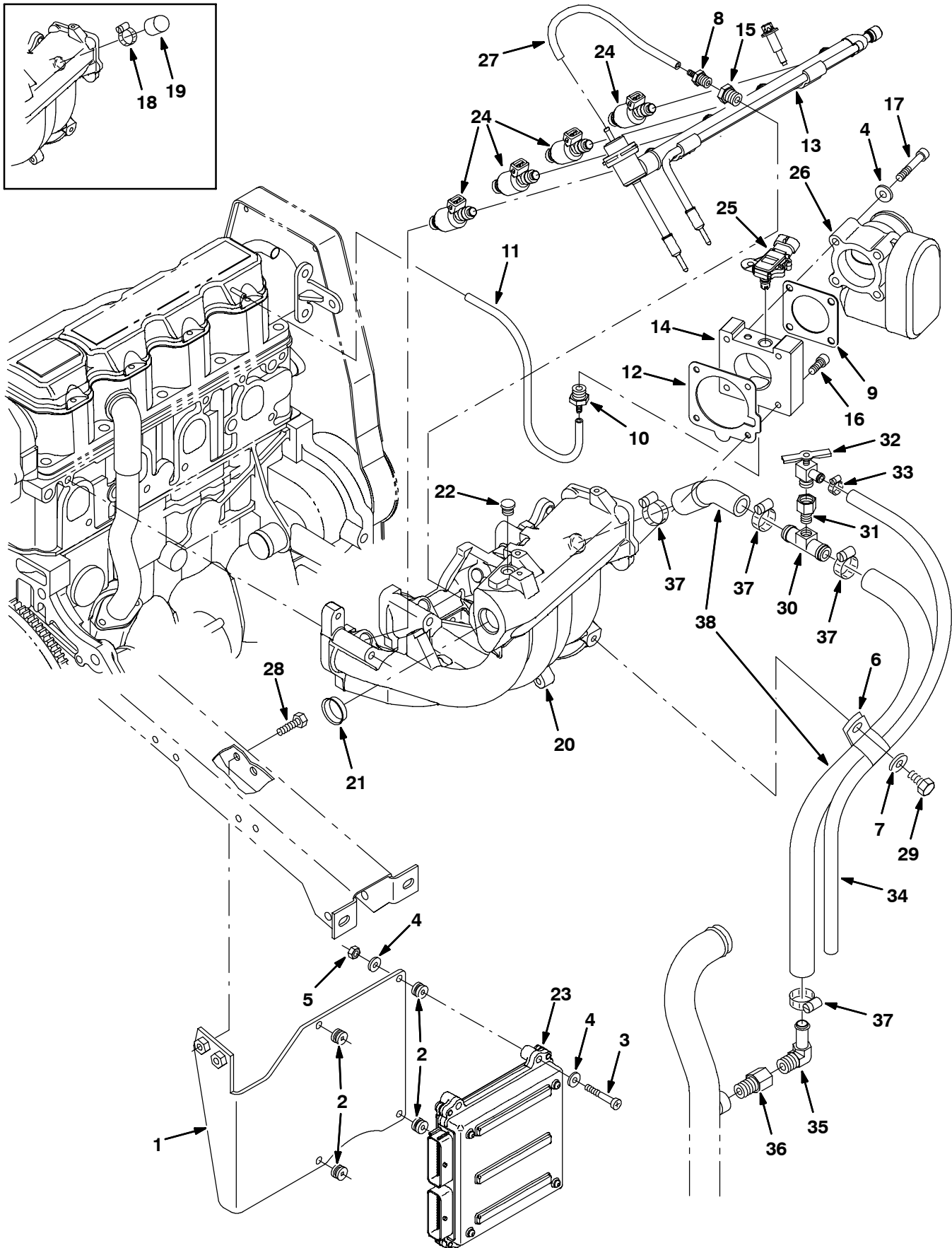


Fig. 14 - Engine EFI Group, Gasoline (007000-008999)

Ref.	Part No.	Serial Number	Description	Qty.
1	1012215	(007000-008999)	Bracket, Controller	1
2	46314	(007000-008999)	Grommet, Rbr, 0.20id, F/ 0.4h, .12matl	4
3	06938	(007000-008999)	Screw, Pan, M5 X 0.8 X 40, 4.8	4
4	32490	(007000-008999)	Washer, Flat, 0.25 Std	8
5	06549	(007000-008999)	Nut, Hex, Lock, M 5 X 0.8, NI	4
6	58366	(007079-008999)	Clamp, Cable, Stl, 1.25d X 1.00w, 1h	2
7	39349	(007079-008999)	Washer, Flat, 0.31 Sae	2
8	372542	(007000-008999)	Fitting, Str, .12mpt X .19brb	1
9	372545	(007000-008999)	Gasket, Body, Throttle [1.6l]	1
10	372543	(007000-008999)	Fitting, Vacuum, M16-15-6h	1
11	372489	(007000-008999)	Hose, 9.5mm X 450mm [Pcv]	1
12	372544	(007000-008999)	Gasket, Manifold, Intake	1
13	372566	(007000-008999)	Rail, Injector, Gas, W/ Press Reg	1
14	372534	(007000-008999)	Adaptor, Intake, Throttle Body	1
15	372537	(007000-008999)	Bushing, M6-1.50 X .25-27npt	1
16	06532	(007000-008999)	Screw, Soc, M6 X 1.0 X 25, 12.9	4
17	07255	(007000-008999)	Screw, Soc, M6 X 1.0 X 45, 12.9	4
18	372539	(007000-007078)	Clamp, Hose, 1.0	1
19	372538	(007000-007078)	Cap, Outlet, Water	1
20	372547	(007000-008999)	Manifold, Intake [1.6l]	1
21	372549	(007000-008999)	Plug, Manifold, Intake	1
22	372550	(007000-008999)	Plug, Port, Sensor [Map]	1
23	372858	(007000-008999)	Module, Ecu, Gas [Gm 1.6l]	1
24	372563	(007000-008999)	Injector Kit, Fuel, Gas	4
25	372493	(007000-008999)	Sensor, [Tmap]	1
26	372482	(007000-008999)	Housing, Throttle, 40mm [Bosch]	1
27	372546	(007000-008999)	Hose, Fuel, .19	1
28	06943	(007079-008999)	Screw, Hex, M6 X 1.0 X 20, 8.8	2
29	16735	(007079-008999)	Screw, Hex, M8 X 1.25 X 16, 8.8	1
30	83578	(007079-008999)	Tube, Air Bleed, .62d 2.2l .12npt Alum	1
31	1015930	(007079-008999)	Fitting, Brs, Str, Pm02/Pf04	1
32	51305	(007079-008999)	Fitting, Draincock, .25npt 90	1
33	43844	(007079-008999)	Clamp, Hose, Wormdrive, 0.25-0.62d, .31w	1
34	73471	(007079-008999)	Hose, Pvc, Clr, 0.38id 0.56od 22.00l	1
35	51839	(007079-008999)	Fitting, Brs, E90, Em10/Pm06	1
36	1015547	(007079-008999)	Fitting, Adapter, Orifice, Pm06pf06	1
37	63810	(007079-008999)	Clamp, Hose, Wormdrive, 0.56-1.06d, .56w	4
38	1015897	(007079-008999)	Hose, Radiator, Mold, .75id X .62id	1

Fig. 15 - Engine EFI Group, Gasoline (009000-)

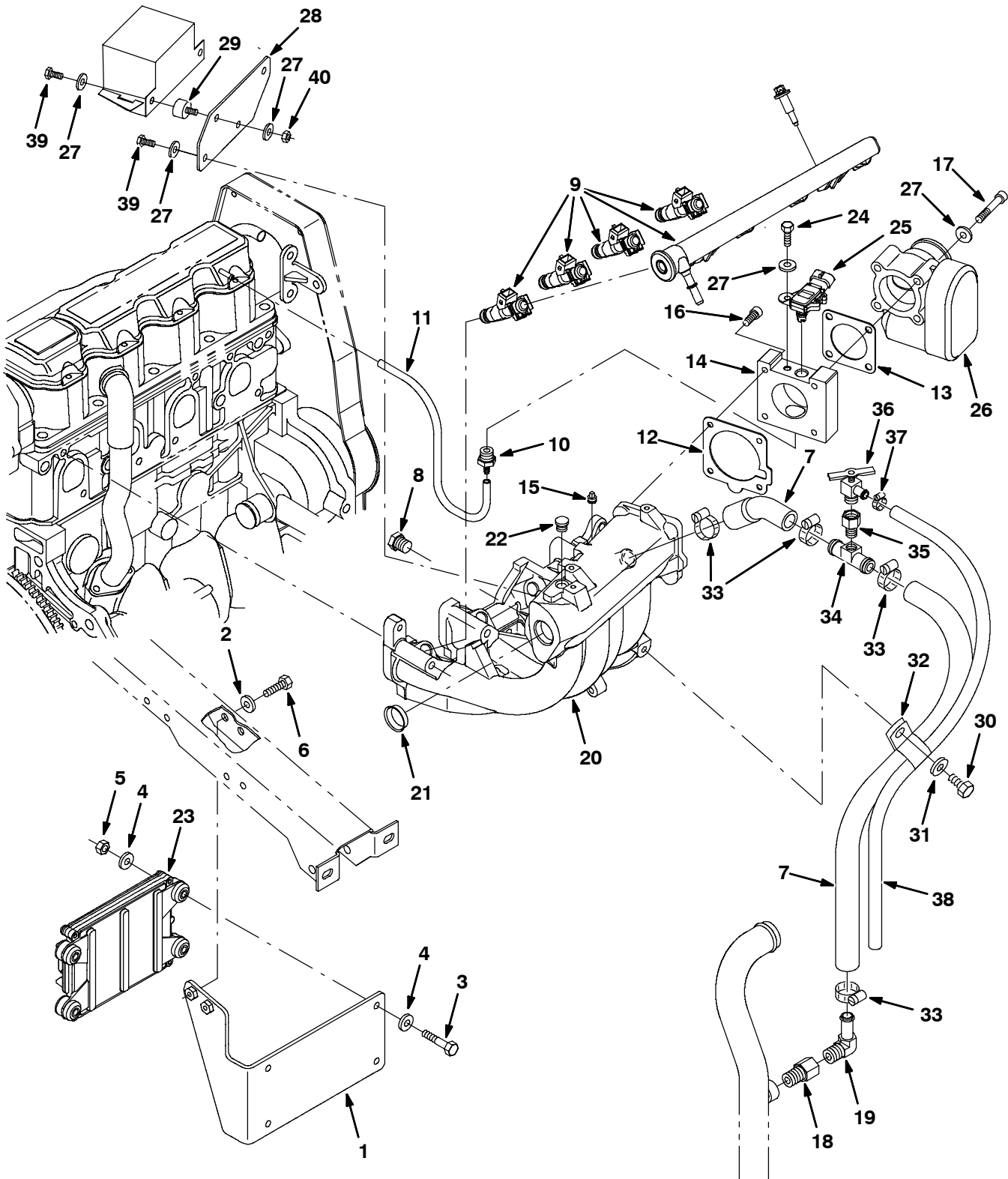


Fig. 15 - Engine EFI Group, Gasoline (009000-)

Ref.	Part No.	Serial Number	Description	Qty.
1	1031790	(009000-) Bracket, Controller [7400 2007]	1
2	32490	(009000-) Washer, Flat, 0.25 Std	2
3	06946	(009000-) Screw, Hex, M6 X 1.0 X 35, 8.8	4
4	19066	(009000-) Washer, Flat, #10	8
5	08708	(009000-) Nut, Hex, Lock, M6 X 1.0, NI	4
6	16931	(009000-) Screw, Hex, M8 X 1.25 X 20, 8.8	2
7	1015897	(009000-) Hose, Radiator, Mold, .75id X .62id	1
8	384995	(009000-) Fitting, Plug, M16, Intake Manifold	1
9	384992	(009000-) Rail, Injector, Fuel, Plstc	1
10	372543	(009000-) Fitting, Vacuum, M16-15-6h	1
11	372607	(009000-) Hose, 9.5mm X 290mm [Pcv]	1
▽	9003390	(009000-) Gasket Kit, Repair, Gas [Gm1.6l 2007]	1
▲	12 372544	(009000-) Gasket, Manifold, Intake	1
▲	13 372545	(009000-) Gasket, Body, Throttle [1.6l]	1
14	372534	(009000-) Adapter, Intake, Throttle Body	1
15	372548	(009000-) Plug, .12npt, Ss	1
16	06532	(009000-) Screw, Soc, M6 X 1.0 X 25, 12.9	4
17	07255	(009000-) Screw, Soc, M6 X 1.0 X 45, 12.9	4
18	1015547	(009000-) Fitting, Adapter, Orifice, Pm06pf06	1
19	51839	(009000-) Fitting, Brs, E90, Em10/Pm06	1
20	372547	(009000-) Manifold, Intake [1.6l]	1
21	372549	(009000-) Plug, Manifold, Intake	1
22	372550	(009000-) Plug, Port, Sensor [Map]	1
23	1028711	(009000-) Module, Ecu, Gas [Gm, 1.6l 2007]	1
24	19317	(009000-) Screw, Hex, .25-20 X 0.75, 5	1
25	384985	(009000-) Sensor, [Tmap]	1
26	384974	(009000-) Housing, Throttle, 40mm [Bosch]	1
27	32490	(009000-) Washer, Flat, 0.25, Std	11
28	1031312	(009000-) Plate, Mtg, Relay	1
29	372470	(009000-) Isolator, Box, Relay	2
30	16735	(009000-) Screw, Hex, M8X1.25X16, 8.8	1
31	39349	(009000-) Washer, Flat, 0.31 Sae	1
32	58366	(009000-) Clamp, Cable, Stl, 1.25d X 1.00w, 1h	2
33	63810	(009000-) Clamp, Hose, Wormdrive, 0.56-1.06d	4
34	83578	(009000-) Tube, Air Bleed, .62d 2.2l .12npt Alum	1
35	1015930	(009000-) Fitting, Brs, Str, Pm02/Pf04	1
36	51305	(009000-) Fitting, Draincock, .25npt 90	1
37	43844	(009000-) Clamp, Hose, Wormdrive, 0.25-0.62d	1
38	73471	(009000-) Hose, Pvc, Clr, 0.38id 0.56od 22.00l	1
39	19315	(009000-) Screw, Hex, .25-20 X 0.50, 5	4
40	19312	(009000-) Nut, Hex, Std, .25-20	4

STANDARD PARTS

Fig. 16 - Engine EFI Group, LPG (007000-008999)

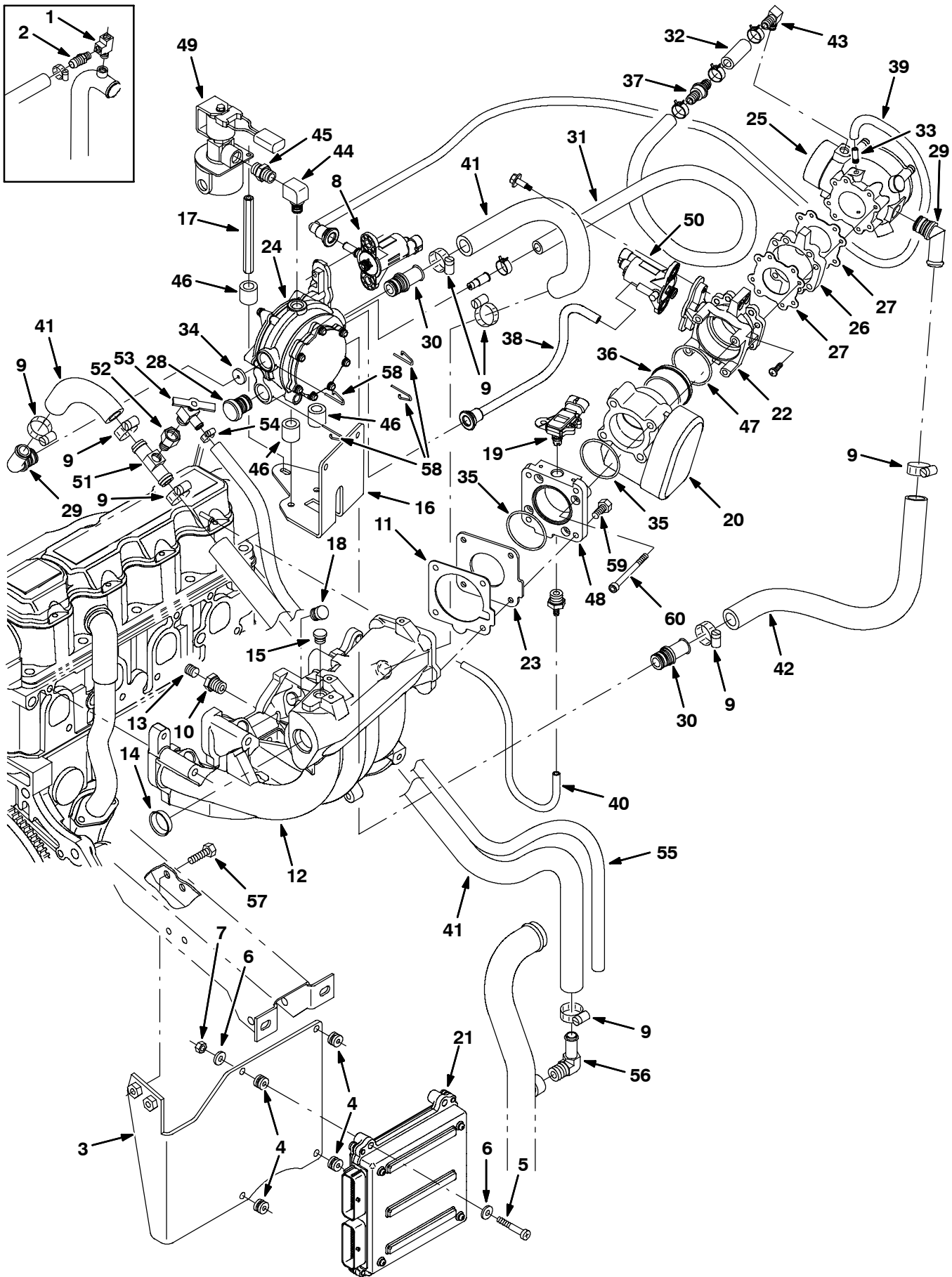


Fig. 16 - Engine EFI Group, LPG (007000-008999)

Ref.	Part No.	Serial Number	Description	Qty.
1	24929	(007000-007078)	Fitting, Brs, Tee, Pf04/Pf04/Pm04	1
2	1012635	(007000-007078)	Fitting, Plstc, Bm10-Pm04	1
3	1012215	(007000-008999)	Bracket, Controller	1
4	46314	(007000-008999)	Grommet, Rbr, 0.20id, F/ 0.4h, .12matl	4
5	06938	(007000-008999)	Screw, Pan, M5 X 0.8 X 40, 4.8	4
6	32490	(007000-008999)	Washer, Flat, 0.25 Std	4
7	06549	(007000-008999)	Nut, Hex, Lock, M 5 X 0.8, NI	4
8	372497	(007000-008999)	Valve, Body, Throttle, Lpg	1
9	63810	(007000-008999)	Clamp, Hose, Wormdrive, 0.56-1.06d	8
10	372537	(007000-008999)	Bushing, M6-1.50 X .25-27npt	1
11	372544	(007000-008999)	Gasket, Manifold, Intake	1
12	372547	(007000-008999)	Manifold, Intake [1.6l]	1
13	372548	(007000-008999)	Plug, .12npt, Ss	1
14	372549	(007000-008999)	Plug, Manifold, Intake	1
15	372550	(007000-008999)	Plug, Port, Sensor [Map]	1
16	372576	(007000-008999)	Bracket, Reg [1.6l]	1
17	372577	(007000-008999)	Spacer, Sppt, Filter Lock Off	1
18	372579	(007000-008999)	Plug, Hole, Injector	4
19	372493	(007000-008999)	Sensor, [Tmap]	1
20	372482	(007000-008999)	Housing, Throttle, 40mm [Bosch]	1
21	372857	(007000-008999)	Module, Ecu, Lpg [Gm 1.6l]	1
22	372580	(007000-008999)	Adaptor, Valve, Fuel Trim	1
23	372582	(007000-008999)	Adaptor, Plate	1
24	372500	(007000-008999)	Converter, Lpg	1
25	372898	(007000-008999)	Mixer, Lpg [Gm 1.6l]	1
26	372612	(007000-008999)	Adaptor, Throttle Body	1
27	372608	(007000-008999)	Gasket, Adaptor	2
28	372515	(007000-008999)	Fitting, Cap	1
29	372512	(007000-008999)	Fitting, E70	2
30	372514	(007000-008999)	Fitting, Str	2
31	372506	(007000-008999)	Hose, Balancing, Press, 680mm	1
32	372507	(007000-008999)	Hose, Balancing, Press, 45mm	1
33	372511	(007000-008999)	Fitting, Hose, Vacuum, .25	1
34	372517	(007000-008999)	Restrictor, Jet, Coolant	1
35	372484	(007000-008999)	Seal, Org	2
36	372498	(007000-008999)	Sleeve, Throttle [Bosch], Plstc	1
37	372569	(007000-008999)	Valve, Check	1
38	372609	(007000-008999)	Hose Assy, 170mm [Ftv-ptv]	1
39	372605	(007000-008999)	Hose Assy, Valve, Press Trim, 350mm	1
40	372607	(007000-008999)	Hose, 9.5mm X 290mm [Pcv]	1
41	372528	(007000-008999)	Hose, Molded	1
42	372606	(007000-008999)	Hose, 355mm [Fl-vrp]	1
43	372510	(007000-008999)	Fitting, E90	1
44	372611	(007000-008999)	Fitting, Str, E90, .25npt	1
45	372610	(007000-008999)	Fitting, Nipple, .25npt, Brs	1

STANDARD PARTS**Fig. 16 - Engine EFI Group, LPG (007000-008999)**

Ref.	Part No.	Serial Number	Description	Qty.	
46	372518	(007000-008999)	Isolator Kit, Mtg, Vaporizer, Rbr	3	
47	372613	(007000-008999)	Seal, Org, Throttle Body	1	
48	372558	(007000-008999)	Adaptor [1.6]	1	
▽	49	372503	(007000-008999)	Valve, Shutoff, Lpg, W/ Wire Connector	1
▲	372615	(007000-008999)	Filter Kit, Lock Off, Lpg	1	
50	372501	(007000-008999)	Valve, Trim, Fuel, Press, Lpg	1	
51	83578	(007079-008999)	Tube, Air Bleed, .62d 2.2l .12npt Alum	1	
52	1015930	(007079-008999)	Fitting, Brs, Str, Pm02/Pf04	1	
53	51305	(007079-008999)	Fitting, Draincock, .25npt 90	1	
54	43844	(007079-008999)	Clamp, Hose, Wormdrive, 0.25-0.62d, .31w	1	
55	73471	(007079-008999)	Hose, Pvc, Clr, 0.38id 0.56od 22.00l	1	
56	51839	(007079-008999)	Fitting, Brs, E90, Em10/Pm06	1	
57	06943	(007000-008999)	Screw, Hex, M6 X 1.0 X 20, 8.8	2	
58	372523	(007000-008999)	Pin, Retainer	4	
59	9003045	(007000-008999)	Screw, Hex	4	
60	9003047	(007000-008999)	Screw, Soc	4	

STANDARD PARTS

Fig. 17 - Engine EFI and Vaporizer Group, LPG (009000-)

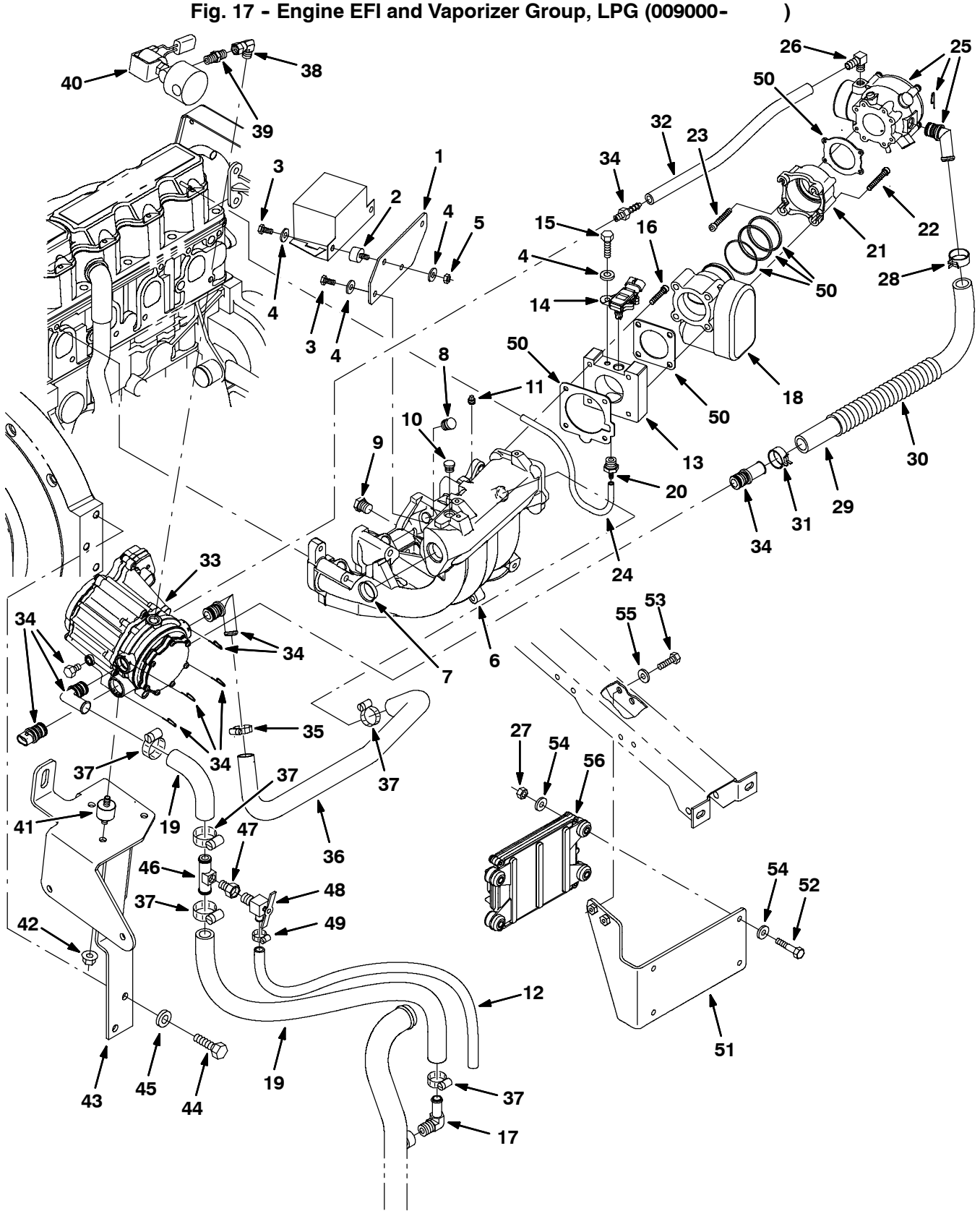


Fig. 17 - Engine EFI and Vaporizer Group, LPG (009000-)

Ref.	Part No.	Serial Number	Description	Qty.	
1	1031312	(009000-) Plate, Mtg, Relay	1	
2	372470	(009000-) Isolator, Box, Relay	2	
3	19315	(009000-) Screw, Hex, .25-20 X 0.50, G5	4	
4	32490	(009000-) Washer, Flat, 0.25, Std	7	
5	19312	(009000-) Nut, Hex, Std, .25-20	2	
6	372547	(009000-) Manifold, Intake [1.6l]	1	
7	372549	(009000-) Plug, Manifold, Intake	1	
8	372579	(009000-) Plug, Hole, Injector	4	
9	384995	(009000-) Fitting, Plug, M16, Intake Manifold	1	
10	372550	(009000-) Plug, Port, Sensor [Map]	1	
11	372548	(009000-) Plug, .12npt, Ss	1	
12	73471	(009000-) Hose, Pvc, Clr, 0.38id 0.56od 022.0l	1	
13	372534	(009000-) Adapter, Intake, Throttle Body	1	
14	384985	(009000-) Sensor [T Map]	1	
15	19317	(009000-) Screw, Hex, .25-20 X 0.75, G5	1	
16	06532	(009000-) Screw, Soc, M6 X 1.00 X 25, 12.9	4	
17	51839	(009000-) Fitting, Brs, E90, Em10/Pm06	1	
18	384974	(009000-) Housing, Throttle, 40Mm [Bosch]	1	
19	372528	(009000-) Hose, Mold, .62 To .75	1	
20	372543	(009000-) Fitting, Vacuum [M16-15-6h]	1	
21	384996	(009000-) Adapter, Valve, 400Mm [Bosch]	1	
22	09037	(009000-) Screw, Soc, M8 X 1.25 X 70, 12.9	4	
23	384991	(009000-) Bolt, Soc Head, M5 X 80 X 35	4	
24	372607	(009000-) Hose, 9.5mm X 290mm [Pcv]	1	
25	384980	(009000-) Mixer, W/70 Deg Ftg	1	
26	384976	(009000-) Fitting, E90	1	
27	08708	(009000-) Nut, Hex, Lock, M6 X 1.00, NI	4	
28	384970	(009000-) Clamp, Hose, Spring, 0.75D	1	
29	384983	(009000-) Hose [Mixer to Epr]	1	
30	384971	(009000-) Cover, Hose	1	
31	384979	(009000-) Clamp, Hose, Spring, 0.62D	1	
32	384973	(009000-) Hose, Supply, Gas, .25ld	1	
33	384977	(009000-) Regulator [Ep]	1	
34	384978	(009000-) Fitting Kit [Epr]	1	
35	372539	(009000-) Clamp, Hose, 1.0	1	
36	384984	(009000-) Hose [Epr To Manifold]	1	
37	63810	(009000-) Clamp, Hose, Wormdrive, 0.56-1.06d, .56w	5	
38	11442-1	(009000-) Fitting, Hyd, E90, Spcl	1	
39	372529	(009000-) Fitting, Nipple, .25mal	1	
▽	40	384975	(009000-) Valve, Lock Off	1
▲	372615	(009000-) Filter Kit, Lock Off, Lpg	1	
41	384986	(009000-) Isolator [Epr]	3	
42	07791	(009000-) Nut, Hex, Flng, M8 X 1.25	3	
43	1028343	(009000-) Bracket Wldt, Mtg, Regulator, Lpg	1	
44	371770	(009000-) Screw	2	
45	371877	(009000-) Washer, Flat, 0.38, Hardened	2	
46	83578	(009000-) Tube, Bleed, Air, .62od 2.2l .12npt, Alm	1	
47	1015930	(009000-) Fitting, Brs, Str, Pf04/Pm02	1	

STANDARD PARTS

Fig. 17 - Engine EFI and Vaporizer Group, LPG (009000-)

Ref.	Part No.	Serial Number	Description	Qty.
48	51305	(009000-) Fitting, Draincock, E90, .25npt	1
49	43844	(009000-) Clamp, Hose, Wormdrive, 0.25-0.62d, .31w	1
50	9003391	(009000-) Gasket Kit, Repair, Lpg [Gm1.6l 2007]	1
51	1031790	(009000-) Bracket, Controller [7400 2007]	1
52	06946	(009000-) Screw, Hex, M6 X 1.0 X 35, 8.8	4
53	16931	(009000-) Screw, Hex, M8 X 1.25 X 20, 8.8	2
54	19066	(009000-) Washer, Flat, #10	8
55	32490	(009000-) Washer, Flat, 0.25 Std	2
56	1028722	(009000-) Module, Ecu, Lpg [Gm1.6l 2007]	1

Fig. 18 - Engine Air Cleaner Group, Gas (007000-008999)

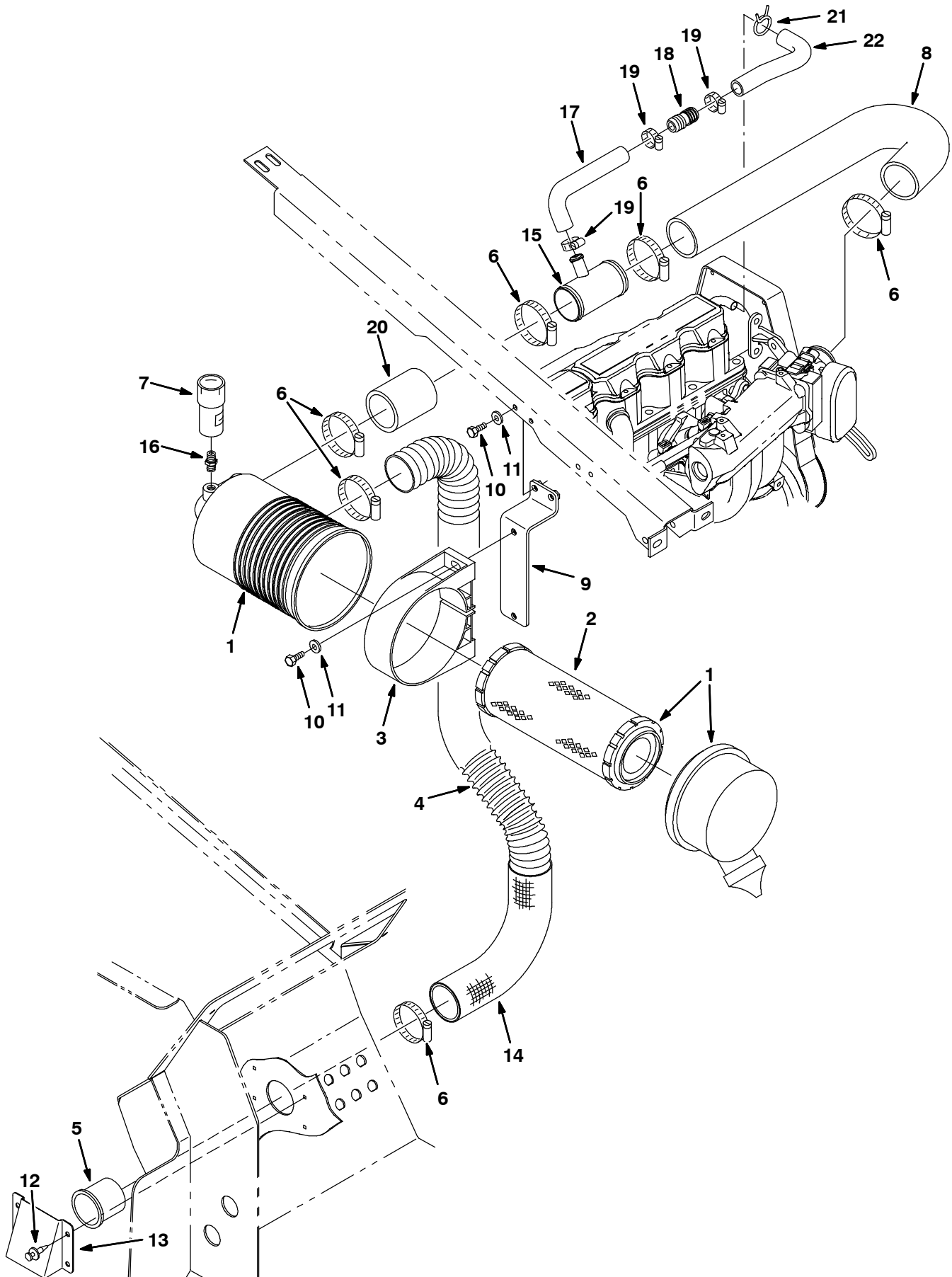


Fig. 18 - Engine Air Cleaner Group, Gas (007000-008999)

Ref.	Part No.	Serial Number	Description	Qty.
▽	1	369745	(007000-008999) Filter, Assy, Air	1
▲	2	369746	(007000-008999) Element, Fltr, Air [Dn]	1
	3	369747	(007000-008999) Clamp, Mtg, Filter, Air	1
	4	1012619	(007000-008999) Hose, Air, Intake, Flex 25.0l	1
	5	58346	(007000-008999) Tube, Intake, 2.0d 02.0l Flange	1
	6	14432	(007000-008999) Clamp, Hose, Wormdrive, 1.81-2.75d	6
	7	03026	(007000-008999) Indicator, Filter, Air	1
	8	1011314	(007000-008999) Hose, Intake, Mold, 2.0id [Epdm 7400]	1
	9	1010683	(007000-008999) Bracket, Mtg, Air Fltr, [Gm 1.6L 7400]	1
	10	06943	(007000-008999) Screw, Hex, M 6 X 1.0 X 20, 8.8	4
	11	19066	(007000-008999) Washer, Flt, #10	4
	12	72970	(007000-008999) Rivet, Plstc, .250d X 0.898	4
	13	20903	(007000-008999) Guard, Intake, Air, Engine	1
	14	57224	(007000-008999) Sleeve, Nyl, #37 16.0l	1
	15	1011780	(007000-008999) Tube, Wldt, Tee	1
	16	51560-5	(007000-008999) Fitting, Brs, Str, 02mp, Service	1
	17	1013168	(007000-008999) Hose, Heater, E90, 0.62id 05.5 2.0	1
	18	365164	(007000-008999) Fitting, Plstc, Str, Bm10/Bm10	1
	19	86824	(007000-008999) Clamp, Hose, Wormdrive, 0.50-1.06d, .50w	3
	20	15543	(007000-008999) Hose, Rbr, 2.00id 2.50od 03.0l	1
	21	371854	(007000-008999) Clamp, Spring, 1.50	1
	22	371862	(007000-008999) Hose, Vent	1

Fig. 19 - Engine Air Cleaner Group, Gas (009000-)

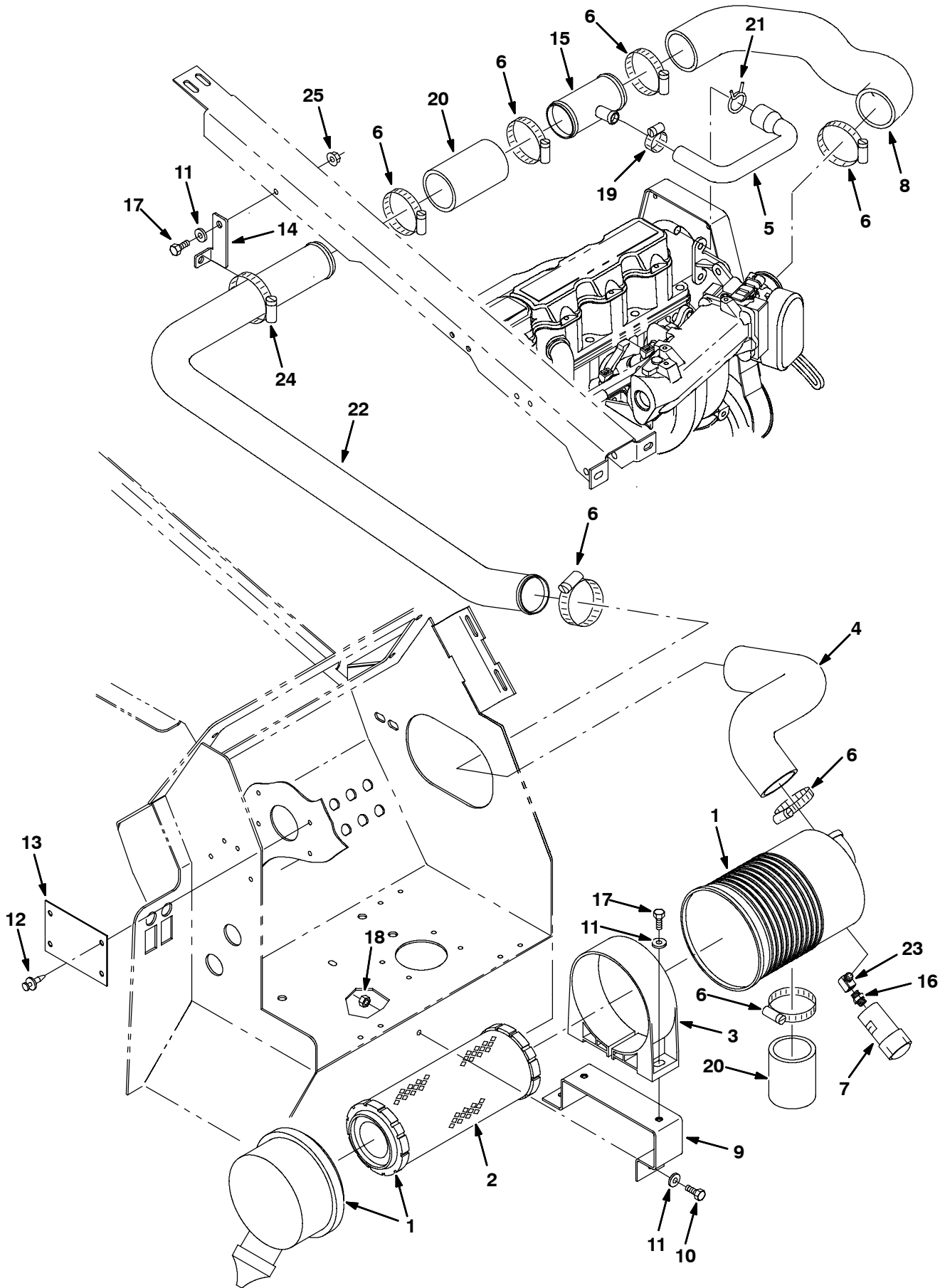


Fig. 18 - Engine Air Cleaner Group, Gas (009000-)

Ref.	Part No.	Serial Number	Description	Qty.
▽ 1	369745	(009000-) Filter, Assy, Air	1
▲ 2	369746	(009000-) Element, Fltr, Air [Dn]	1
3	369747	(009000-) Clamp, Mtg, Filter, Air	1
4	1029821	(009000-) Hose, Intake, Mold, 2.00id [Epdm 2007]	1
5	1032323	(009000-) Hose, Heater, E90, 0.62id [Gm1.6l 2007]	1
6	14432	(009000-) Clamp, Hose, Wormdrive, 1.81-2.75d	7
7	03026	(009000-) Indicator, Filter, Air	1
8	1031609	(009000-) Hose, Intake, Mold, 2.0id, Gas [Epdm 07]	1
9	1031525	(009000-) Bracket, Mtg, Air Fltr [2007 7400]	1
10	06942	(009000-) Screw, Hex, M6 X 1.0 X 16, 8.8	2
11	19066	(009000-) Washer, Flt, #10	5
12	72970	(009000-) Rivet, Plstc, .250d X 0.898	4
13	1032408	(009000-) Plate, Intake [7400 2007]	1
14	1031867	(009000-) Bracket, Air, Intake [7400 07]	1
15	1011780	(009000-) Tube, Wldt, Tee	1
16	51560-5	(009000-) Fitting, Brs, Str, 02mp, Service	1
17	06943	(009000-) Screw, Hex, M6 X 1.0 X 20, 8.8	3
18	08708	(009000-) Nut, Hex, Lock, M6 X 1.0, NI	2
19	63810	(009000-) Clamp, Hose, Wormdrive, 0.56-1.06d, .56w	1
20	15543	(009000-) Hose, Rbr, 2.00id 2.50od 03.0l	2
21	371854	(009000-) Clamp, Spring, 1.50	1
22	1030415	(009000-) Tube, Air, Fltr, 2.00d [7400 2007]	1
23	11984	(009000-) Fitting, Pipe, E90, Pf02/Pm02	1
24	22297	(009000-) Clamp, Hose, Wormdrive, 1.56-2.50d, .50w	1
25	07790	(009000-) Nut, Hex, Flng, M6 X 1.0	1

Fig. 20 - Engine Air Cleaner Group, LPG (007000-008999)

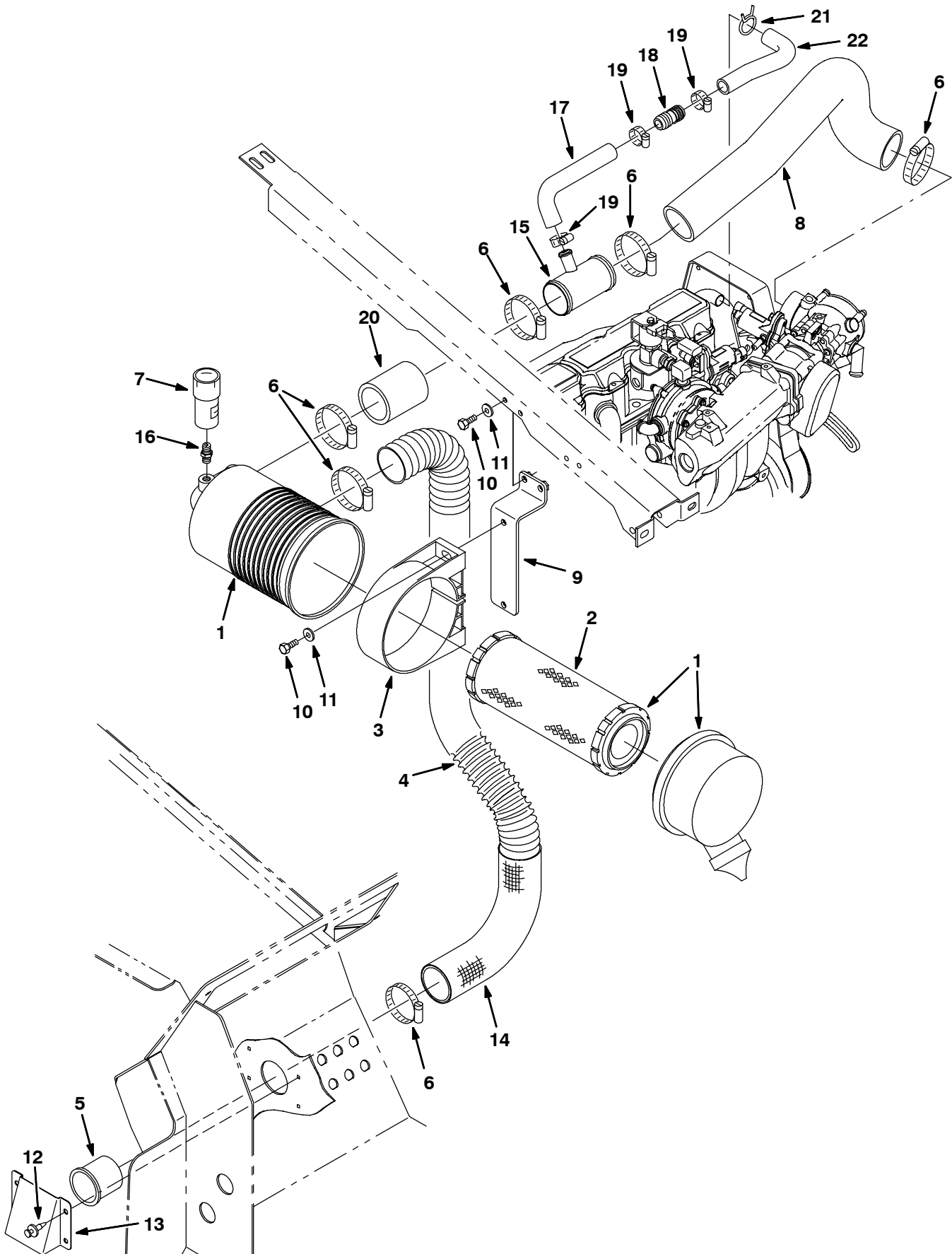


Fig. 20 - Engine Air Cleaner Group, LPG (007000-008999)

Ref.	Part No.	Serial Number	Description	Qty.
▽	1	369745	(007000-008999) Filter, Assy, Air	1
▲	2	369746	(007000-008999) Element, Fltr, Air [Dn]	1
	3	369747	(007000-008999) Clamp, Mtg, Filter, Air	1
	4	1012619	(007000-008999) Hose, Air, Intake, Flex 25.0l	1
	5	58346	(007000-008999) Tube, Intake, 2.0d 02.0l Flange	1
	6	14432	(007000-008999) Clamp, Hose, Wormdrive, 1.81-2.75d	6
	7	03026	(007000-008999) Indicator, Filter, Air	1
	8	1012574	(007000-008999) Hose, Intake, Mold, 2.0id [Epdm 7400]	1
	9	1010683	(007000-008999) Bracket, Mtg, Air Fltr, [Gm 1.6L 7400]	1
	10	06943	(007000-008999) Screw, Hex, M 6 X 1.0 X 20, 8.8	4
	11	19066	(007000-008999) Washer, Flt, #10	4
	12	72970	(007000-008999) Rivet, Plstc, .250d X 0.898	4
	13	20903	(007000-008999) Guard, Intake, Air, Engine	1
	14	57224	(007000-008999) Sleeve, Nyl, #37 16.0l	1
	15	1011780	(007000-008999) Tube, Wldt, Tee	1
	16	51560-5	(007000-008999) Fitting, Brs, Str, 02mp, Service	1
	17	1013168	(007000-008999) Hose, Heater, E90, 0.62id 05.5 2.0	1
	18	365164	(007000-008999) Fitting, Plstc, Str, Bm10/Bm10	1
	19	86824	(007000-008999) Clamp, Hose, Wormdrive, 0.50-1.06d, .50w	3
	20	15543	(007000-008999) Hose, Rbr, 2.00id 2.50od 03.0l	1
	21	371854	(007000-008999) Clamp, Spring, 1.50	1
	22	371862	(007000-008999) Hose, Vent	1

Fig. 21 - Engine Air Cleaner Group, LPG (009000-

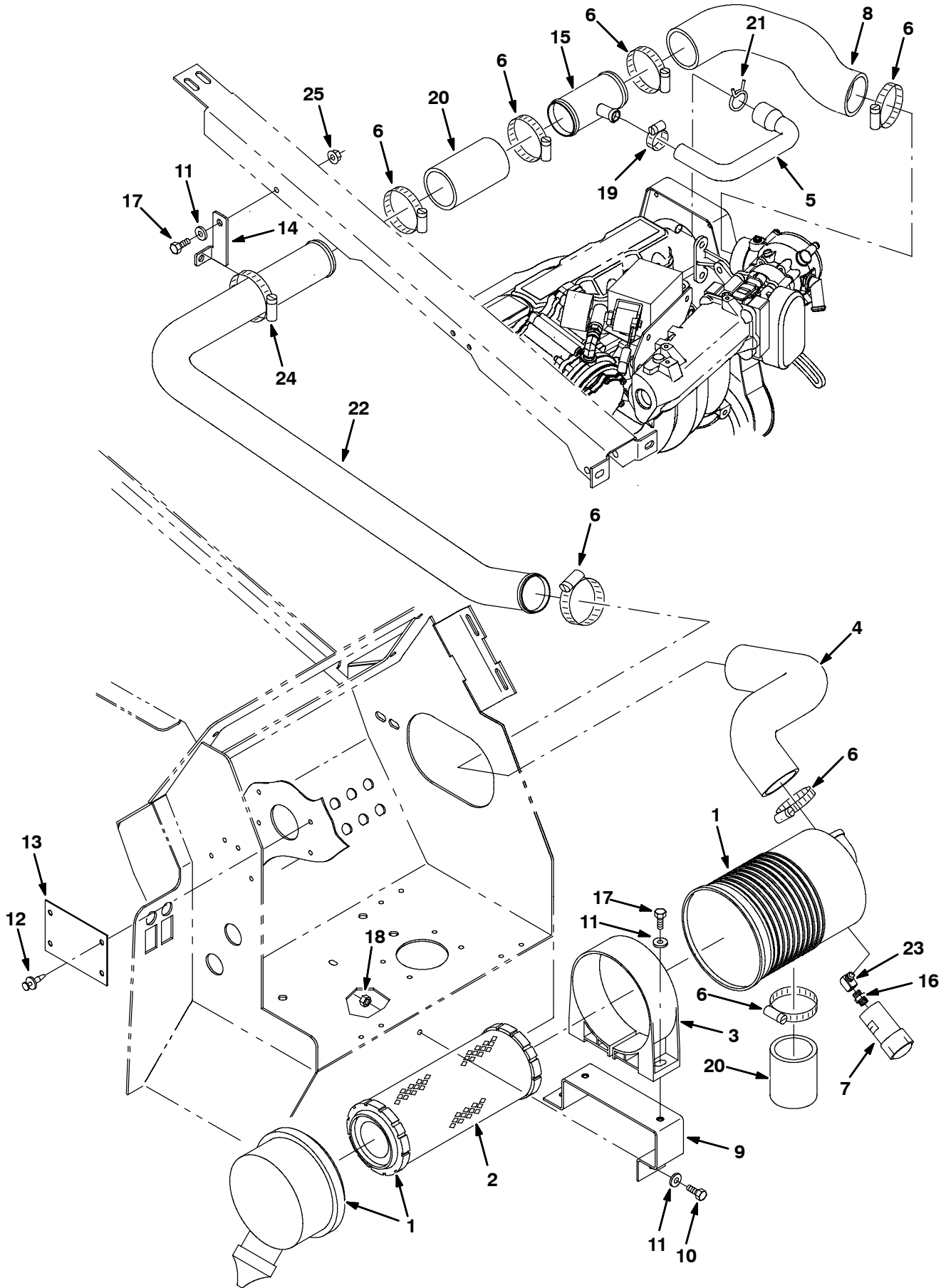


Fig. 21 - Engine Air Cleaner Group, LPG (009000-)

Ref.	Part No.	Serial Number	Description	Qty.
▽ 1	369745	(009000-) Filter, Assy, Air	1
▲ 2	369746	(009000-) Element, Fltr, Air [Dn]	1
3	369747	(009000-) Clamp, Mtg, Filter, Air	1
4	1029821	(009000-) Hose, Intake, Mold, 2.00id [Epdm 2007]	1
5	1032323	(009000-) Hose, Heater, E90, 0.62id [Gm1.6l 2007]	1
6	14432	(009000-) Clamp, Hose, Wormdrive, 1.81-2.75d	7
7	03026	(009000-) Indicator, Filter, Air	1
8	1031553	(009000-) Hose, Intake, Mold, 2.0id, Lpg	1
9	1031525	(009000-) Bracket, Mtg, Air Fltr [2007 7400]	1
10	06942	(009000-) Screw, Hex, M6 X 1.0 X 16, 8.8	2
11	19066	(009000-) Washer, Flt, #10	5
12	72970	(009000-) Rivet, Plstc, .250d X 0.898	4
13	1032408	(009000-) Plate, Intake [7400 2007]	1
14	1031867	(009000-) Bracket, Air, Intake [7400 07]	1
15	1011780	(009000-) Tube, Wldt, Tee	1
16	51560-5	(009000-) Fitting, Brs, Str, 02mp, Service	1
17	06943	(009000-) Screw, Hex, M6 X 1.0 X 20, 8.8	3
18	08708	(009000-) Nut, Hex, Lock, M6 X 1.0, NI	2
19	63810	(009000-) Clamp, Hose, Wormdrive, 0.56-1.06d, .56w	1
20	15543	(009000-) Hose, Rbr, 2.00id 2.50od 03.0l	2
21	371854	(009000-) Clamp, Spring, 1.50	1
22	1030415	(009000-) Tube, Air, Fltr, 2.00d [7400 2007]	1
23	11984	(009000-) Fitting, Pipe, E90, Pf02/Pm02	1
24	22297	(009000-) Clamp, Hose, Wormdrive, 1.56-2.50d, .50w	1
25	07790	(009000-) Nut, Hex, Flng, M6 X 1.0	1

Fig. 22 - Engine Alternator Group

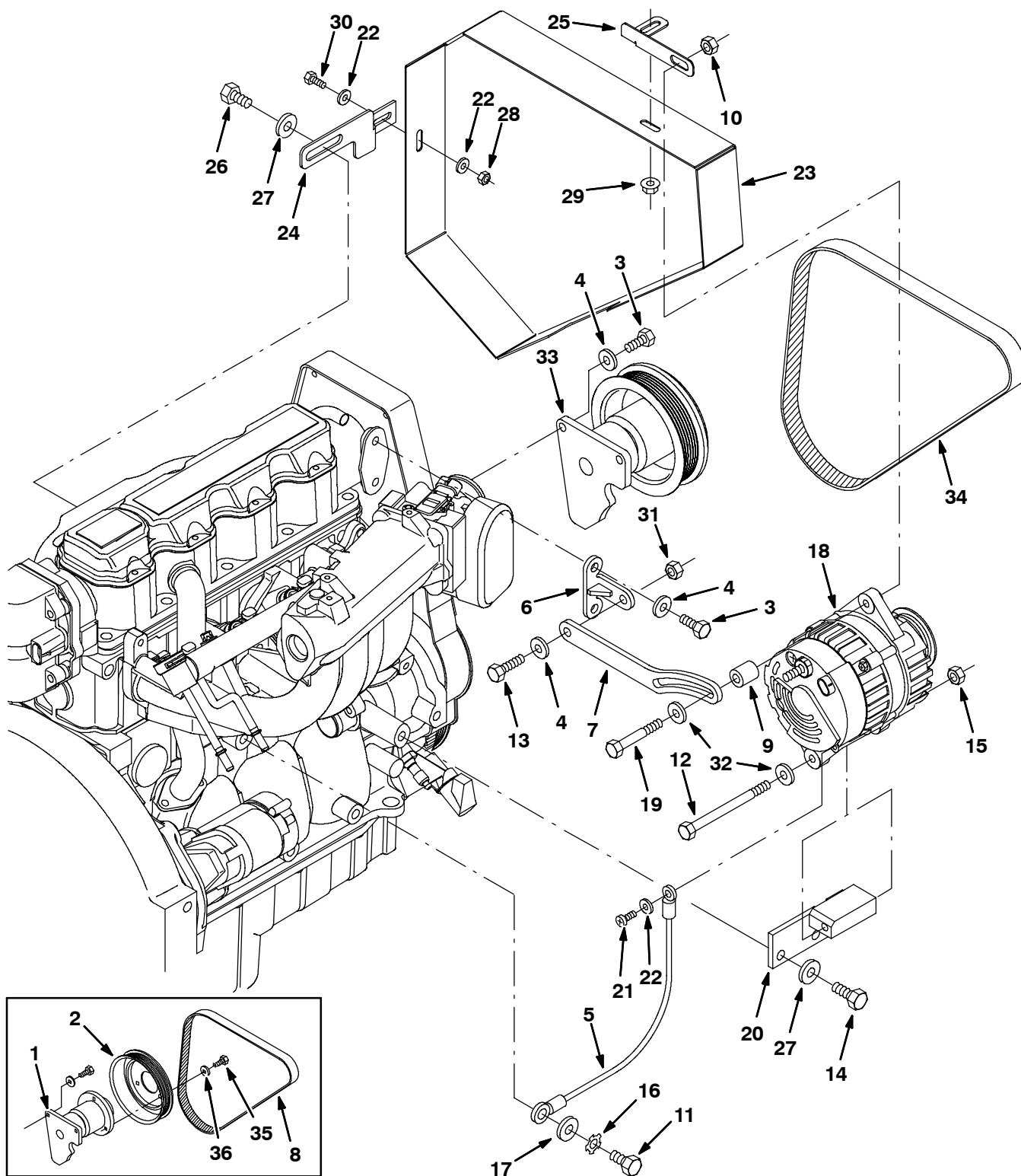


Fig. 22 - Engine Alternator Group

Ref.	Part No.	Serial Number	Description	Qty.
1	371863	(007000-008999)	Base Assy, Fan	1
2	371864	(007000-008999)	Pulley	1
3	16931	(007000-	Screw, Hex, M 8 X 1.25 X 20, 8.8	4
4	371865	(007000-	Washer, Flat, 0.31, Hardened	7
5	371527	(007000-	Wire, Ground	1
6	371871	(007000-	Bracket, Anchor, Strap, Alternator	1
7	371872	(007000-	Strap, Adj, Alternator	1
8	372571	(007000-008999)	Belt, Ribbed, 39.0l	1
9	372557	(007000-	Spacer, Strap, Adj, Alternator	1
10	39311	(007000-	Nut, Hex, Std, M08 X 1.25	1
11	06960	(007000-	Screw, Hex, M10 X 1.5 X 16, 8.8	1
12	39785	(007000-	Screw, Hex, .31-18 X 4.50, 5	1
13	76958	(007000-	Screw, Hex, .31-18 X 1.75, 5	1
14	06961	(007000-	Screw, Hex, M10 X 1.5 X 20, 8.8	2
15	32983	(007000-	Nut, Hex, Lock, .31-18, NI	1
16	371875	(007000-	Washer, Lock, Int-ext, .38	1
17	371877	(007000-	Washer, Flat, .38, Hardened	1
18	393209	(007000-	Alternator, 12vdc, 075a Multi Groove	1
19	363976	(007000-	Screw, Hex, M 8 X 1.25 X 60, FI	1
20	372536	(007000-	Bracket, Alternator	1
21	42011	(007000-	Screw, Hex, #10-24 X 0.50, Ss	1
22	19066	(007000-	Washer, Flt, #10	4
23	393270	(007000-	Guard, Belt, W/Label, [7400]	1
24	1007654	(007000-	Plate, Mtg, Belt, Guard	1
25	1008548	(007000-	Angle, Guard, Belt	1
26	06961	(007000-	Screw, Hex, M10 X 1.5 X 20, 8.8	1
27	32485	(007000-	Washer, Flat, .38 Sae	2
28	08708	(007000-	Nut, Hex, Lock, M 6 X 1.0, NI	2
29	07790	(007000-	Nut, Hex, Flng, M6 X 1.0	1
30	06942	(007000-	Screw, Hex, M 6 X 1.0 X 16, 8.8	2
31	19313	(007000-	Nut, Hex, Std, .31-18	2
32	39349	(007000-	Washer, Flat, 0.31 Sae	2
33	1035056	(009000-	Pulley, Fan, Hub [Gm1.6l 2007]	1
34	1033644	(009000-	Belt, Ribbed, 38.5l	1
35	16931	(007000-008999)	Screw, Hex, M 8 X 1.25 X 20, 8.8	3
36	371865	(007000-008999)	Washer, Flat, 0.31, Hardened	3

STANDARD PARTS

Fig. 23 - Engine Muffler Group, Catalytic (007000-008999)

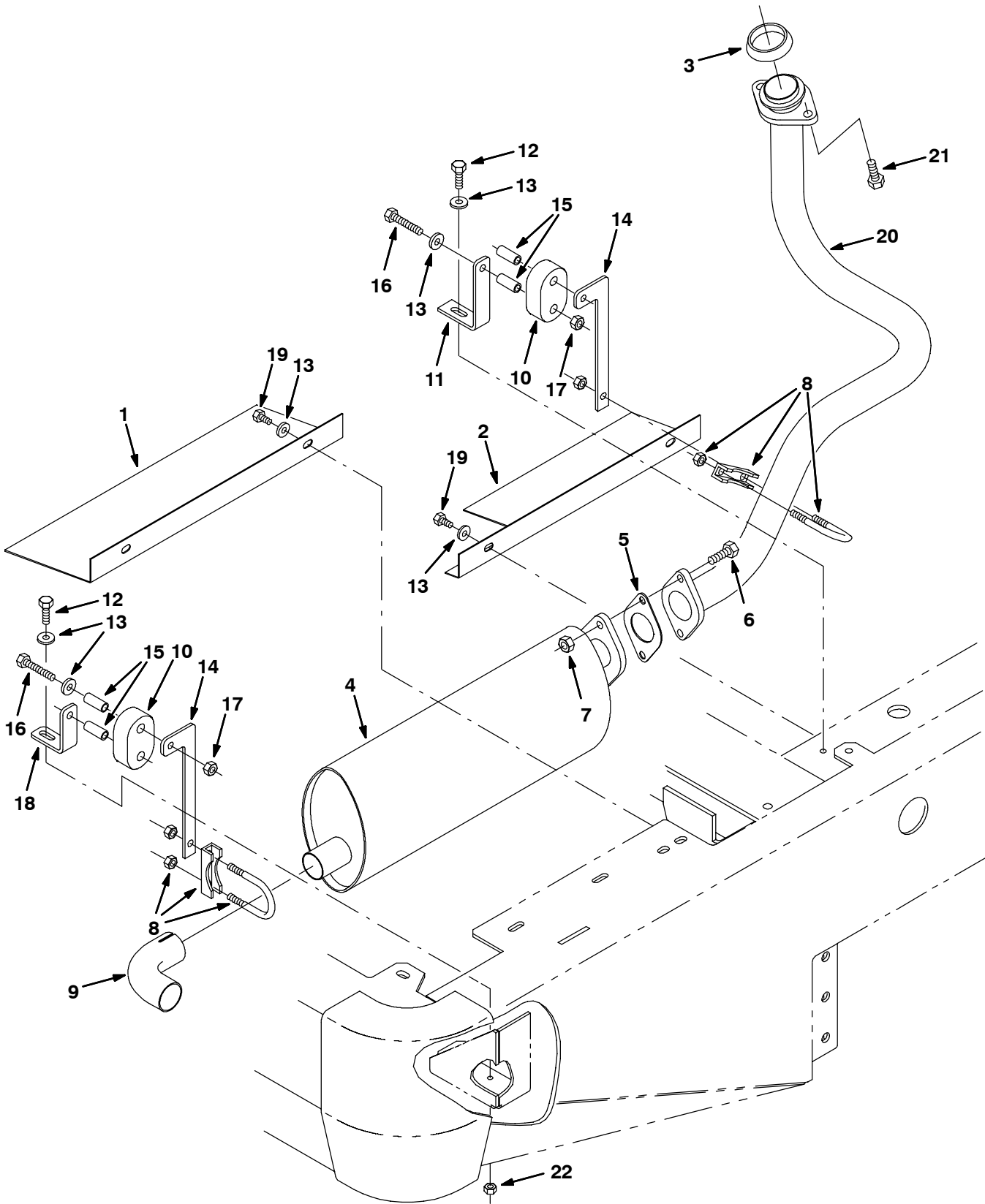


Fig. 23 - Engine Muffler Group, Catalytic (007000-008999)

Ref.	Part No.	Serial Number	Description	Qty.
1	71485	(007000-008999)	Bracket, Shield, Muffler	1
2	71486	(007000-008999)	Bracket, Shield	1
3	371861	(007000-008999)	Gasket, Flgn, Pipe, Exhaust	1
4	1011259	(007000-008999)	Muffler, Catalytic [Gm1.6/3.0]	1
5	1011216	(007000-008999)	Gasket, Exhaust, 2 Hole, 3.4bc	1
6	39284	(007000-008999)	Screw, Hex, M10 X 1.5 X 35, 8.8	2
7	08166	(007000-008999)	Nut, Hex, Stover, M10 X 1.5	2
8	24012	(007000-008999)	Clamp, Muffler, 1.62d	2
9	33329	(007000-008999)	Tube Wldt, Exhaust, 1.5d, W/ Screen	1
10	1013031	(007000-008999)	Isolator, Rubber	2
11	1013525	(007000-008999)	Bracket, Muffler, Hanger	1
12	09011	(007000-008999)	Screw, Hex, M8 X 1.25 X 30, Ss	1
13	32491	(007000-008999)	Washer, Flat, 0.31 Std	10
14	1013556	(007000-008999)	Bracket, Muffler, Hanger, Front	2
15	222496	(007000-008999)	Sleeve, P/M, 0.496d 0.318b 0.93l 430ss	4
16	49694	(007000-008999)	Screw, Hex, M8 X 1.25 X 50, Ss	4
17	08713	(007000-008999)	Nut, Hex, Lock, M 8 X 1.25, NI, Ss	4
18	1013553	(007000-008999)	Bracket, Muffler, Hanger, Front	1
19	16735	(007000-008999)	Screw, Hex, M8 X 1.25 X 16, 8.8	4
20	1010819	(007000-008999)	Tube, Exhaust, Gas/Lpg	1
21	39284	(007000-008999)	Screw, Hex, M10 X 1.5 X 35, 8.8	2
22	08709	(007000-008999)	Nut, Hex, Lock, M8 X 1.25, NI	1

Fig. 24 - Engine Muffler Group, Catalytic (009000-

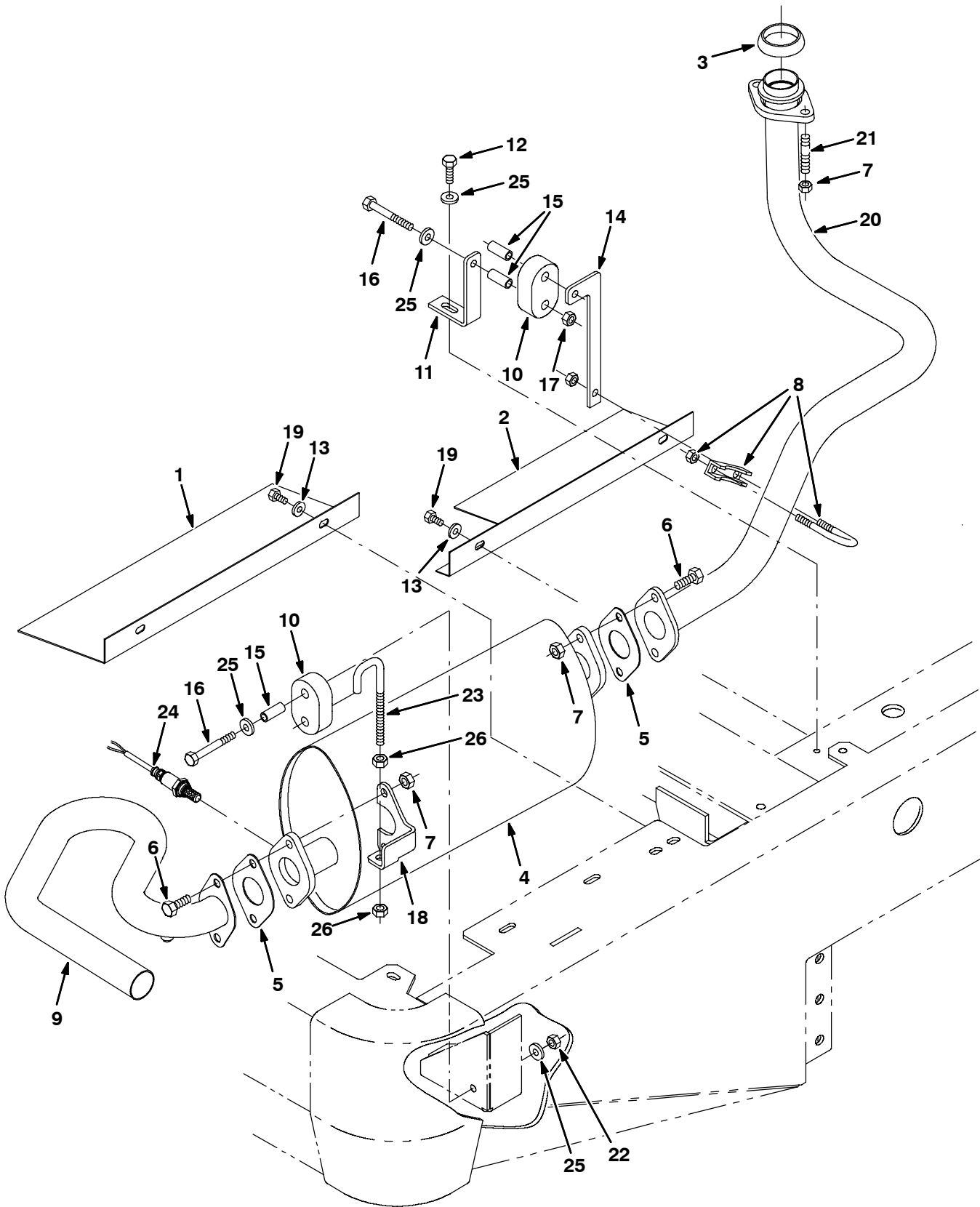


Fig. 24 - Engine Muffler Group, Catalytic (009000-)

Ref.	Part No.	Serial Number	Description	Qty.
1	71485	(009000-) Bracket, Shield, Muffler	1
2	71486	(009000-) Bracket, Shield	1
3	371861	(009000-) Gasket, Flgn, Pipe, Exhaust	1
4	1028136	(009000-) Muffler, Catalytic [Gm 1.6l 2007]	1
5	1011216	(009000-) Gasket, Exhaust, 2 Hole, 3.4bc	2
6	39284	(009000-) Screw, Hex, M10 X 1.5 X 35, 8.8	4
7	08166	(009000-) Nut, Hex, Stover, M10 X 1.5	6
8	24012	(009000-) Clamp, Muffler, 1.62d	1
9	1029550	(009000-) Tube, Exhaust, Flng, 1.5d [2007, 7400]	1
10	1013031	(009000-) Isolator, Rubber	2
11	1013525	(009000-) Bracket, Muffler, Hanger	1
12	09011	(009000-) Screw, Hex, M8 X 1.25 X 30, Ss	1
13	32491	(009000-) Washer, Flat, 0.31 Std	4
14	1013556	(009000-) Bracket, Muffler, Hanger, Front	1
15	222496	(009000-) Sleeve, P/M, 0.496d 0.318b 0.93l 430ss	3
16	222505	(009000-) Screw, Hex, M8 X 1.25 X 45, Ss	3
17	08713	(009000-) Nut, Hex, Lock, M 8 X 1.25, NI, Ss	2
18	1029623	(009000-) Bracket, Hanger, Muffler [2007 7400]	1
19	16735	(009000-) Screw, Hex, M8 X 1.25 X 16, 8.8	4
20	1029629	(009000-) Tube, Exhaust, Gas/Lpg [7400, 2007]	1
21	384442	(009000-) Stud, M10 X 1.50 [35]	2
22	08709	(009000-) Nut, Hex, Lock, M8 X 1.25, NI	1
23	1013117	(009000-) Rod, Hanger, Isolator	1
24	1028558	(009000-) Sensor, Exhaust, Tailpipe	1
25	01685	(009000-) Washer, Flat, 0.31, Ss	5
26	25014	(009000-) Nut, Hex, Std, .38-16	2

STANDARD PARTS

Fig. 25 - Engine Fuel Tank Group, Gasoline (007000-008999)

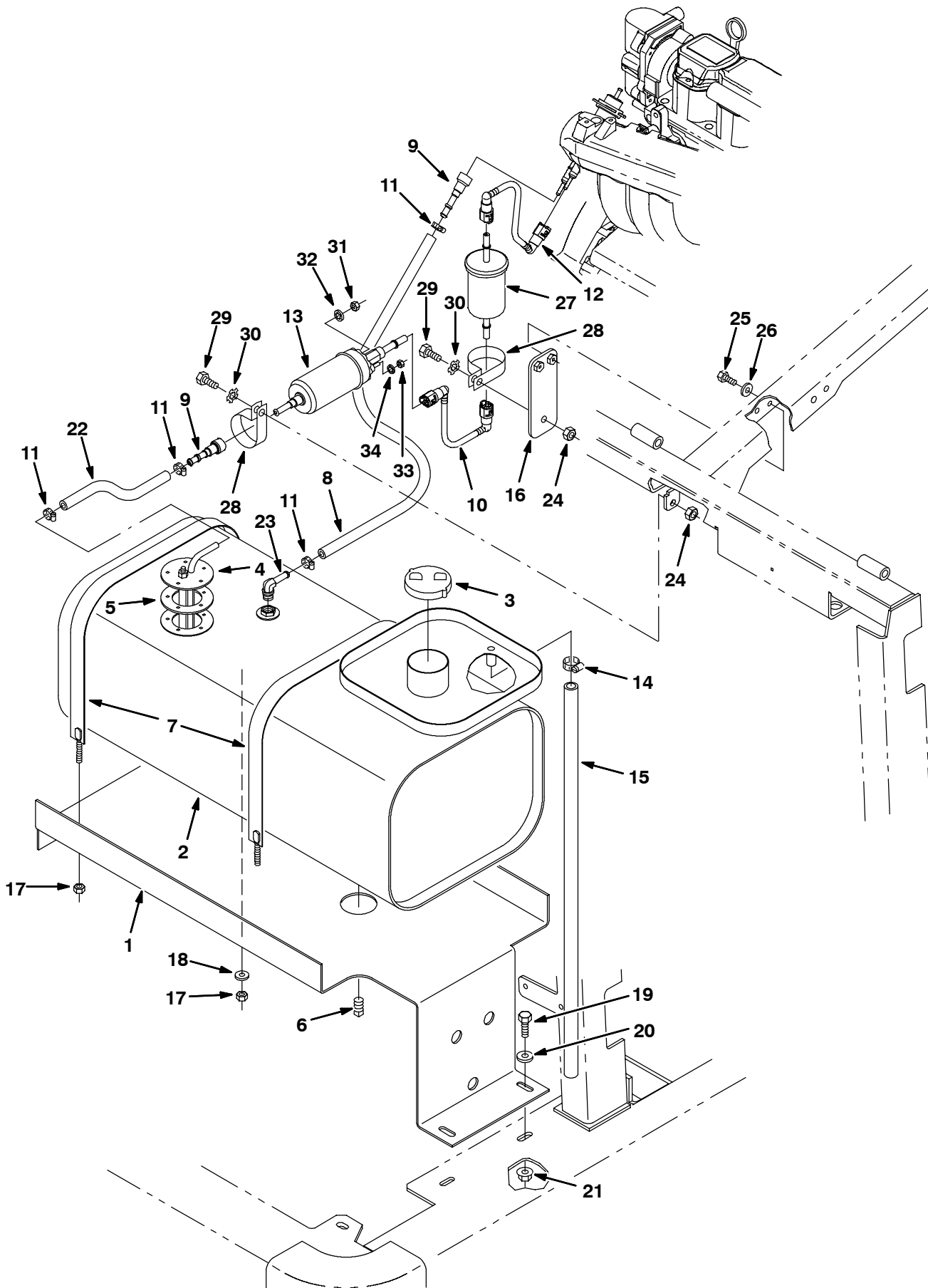


Fig. 25 - Engine Fuel Tank Group, Gasoline (007000-008999)

Ref.	Part No.	Serial Number	Description	Qty.
	1	71403	(007000-008999) Tray, Gas Tank	1
▽	2	1012531	(007000-008999) Tank, Fuel	1
▲	3	48267	(007000-008999) Cap, Fuel	1
▲	4	71432	(007000-008999) Sending Unit Tc	1
▲	5	14131	(007000-008999) Gasket, 2.7D 1.5B.12T 5/ 2.1Bc	1
▲	6	48126	(007000-008999) Ftg-Plug Npt 02Pm Sq Hd	1
	7	71416	(007000-008999) Strap Wldt, Tank.06Tx1.0W 31.9	2
	8	84054	(007000-008999) Hose, Fuel, 0.31id 23.0l	1
	9	1013086	(007000-008999) Connector, Fuel, Qf	2
	10	1012857	(007000-008999) Fuelline, .31d E90, Plstc [7400]	2
	11	43844	(007000-008999) Clamp-Wormdrive, 0.25- 0.62D	4
	12	1012859	(007000-008999) Fuelline, .31d E90, Plstc [7400]	1
	13	1011107	(007000-008999) Pump, Fuel, Hi-Press [Gm 1.6l/3.0l]	1
	14	54333	(007000-008999) Clamp, Hose, Wormdrive, 0.31-0.88d	1
	15	71427	(007000-008999) Hose, Fuel, 0.50id 34.0l	1
	16	1012247	(007000-008999) Plate, Mtg, Fuel, Fltr	1
	17	32981	(007000-008999) Nut, Hex, Lock, .25-20, NI	4
	18	32483	(007000-008999) Washer, Flat, 0.25 Sae	2
	19	16931	(007000-008999) Screw, Hex, M 8 X 1.25 X 20, 8.8	4
	20	32491	(007000-008999) Washer, Flat, 0.31 Std	4
	21	07791	(007000-008999) Nut, Hex, Flng, M08 X 1.25	4
	22	54845	(007000-008999) Hose, Fuel, 0.31id 08.0l	1
	23	9000355	(007000-008999) Fitting, Brs, E90, Em05/Pm04	1
	24	08709	(007000-008999) Nut, Hex, Lock, M8 X 1.25, NI	2
	25	06942	(007000-008999) Screw, Hex, M 6 X 1.0 X 16, 8.8	2
	26	19066	(007000-008999) Washer, Flt, #10	2
	27	372440	(007000-008999) Fuel, Fltr [Gm 1.6l/3.0l]	1
	28	1011895	(007000-008999) Clamp, Cable, Stl, 2.00d X 0.75w, 1h	2
	29	16735	(007000-008999) Screw, Hex, M8 X 1.25 X 16, 8.8	2
	30	41142	(007000-008999) Washer, Lock, Int-ext, .38	2
	31	50335	(007000-008999) Nut, Hex, Std, M5 X 0.8, 8	1
	32	32980	(007000-008999) Washer, Lock, Int, #10	1
	33	42368	(007000-008999) Nut, Hex, Std, M4 X 0.7, 8	1
	34	32978	(007000-008999) Washer, Lock, Int, #08	1

STANDARD PARTS

Fig. 26 - Engine Fuel Tank Group, Gasoline (009000-)

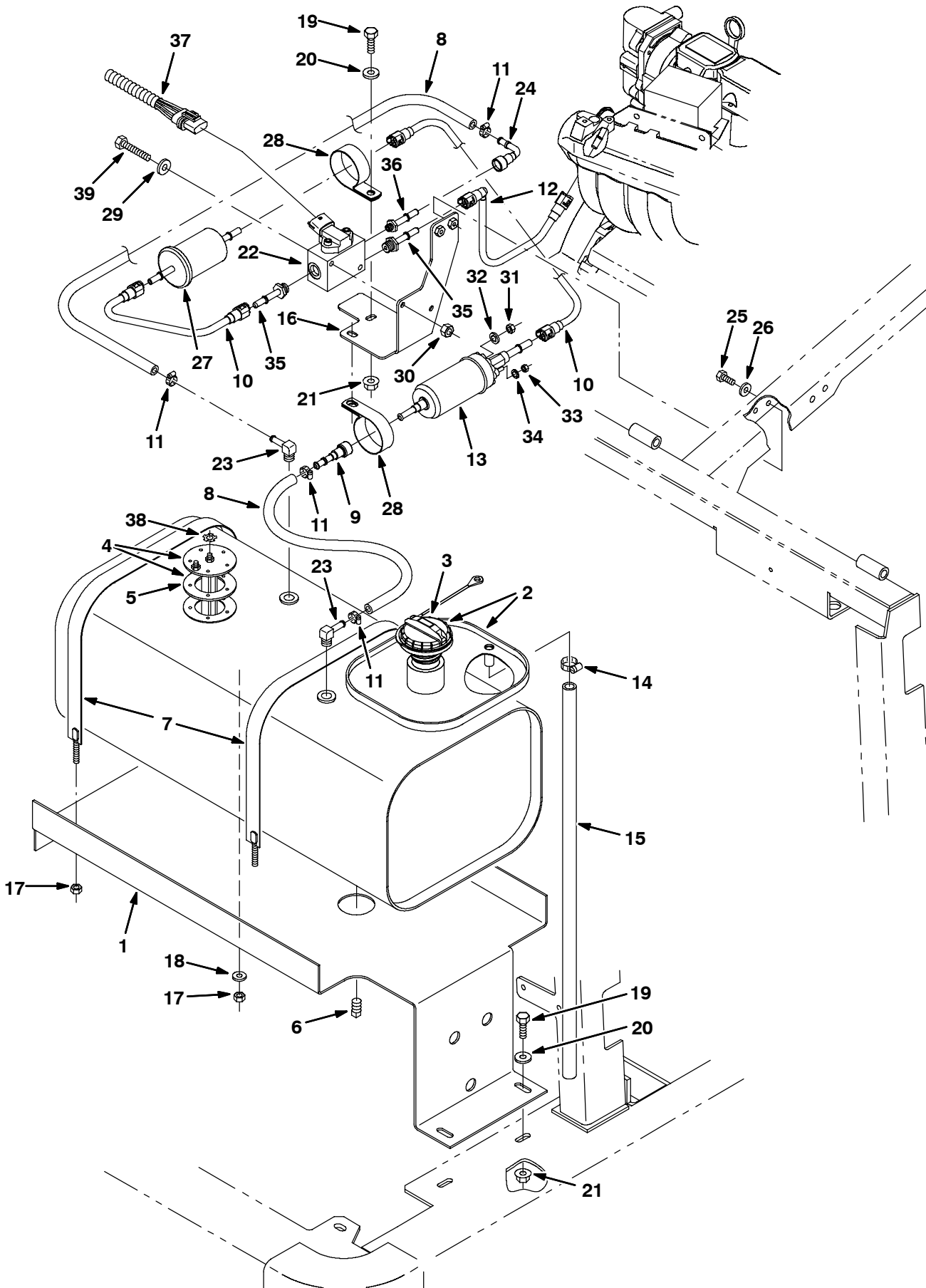


Fig. 26 - Engine Fuel Tank Group, Gasoline (009000-)

Ref.	Part No.	Serial Number	Description	Qty.
	1	71403	(009000-) Tray, Gas Tank	1
▽	2	1030138	(009000-) Tank, Fuel, 11 Gal [7400 2007]	1
▲	3	1032812	(009000-) Cap, Fuel, Tank	1
▲▽	4	1033901	(009000-) Send-unit, Fuel [2007]	1
▲▲	5	1033897	(009000-) Gasket, Sender, Fuel	1
▲	6	48126	(009000-) Ftg-Plug Npt 02Pm Sq Hd	1
	7	71416	(009000-) Strap Wldt, Tank.06Tx1.0W 31.9	2
	8	1033746	(009000-) Hose, Fuel, 0.31id [Evap Emission 07]	1
	9	1013086	(009000-) Connector, Fuel, Qf	1
	10	1013509	(009000-) Fuelline, .31d Str/Str, Plstc [8200]	2
	11	43844	(009000-) Clamp-Wormdrive, 0.25- 0.62D	4
	12	1012250	(009000-) Fuelline, .31d E90/Str, Plstc	1
	13	1011107	(009000-) Pump, Fuel, Hi-Press [Gm 1.6l/3.0l]	1
	14	54333	(009000-) Clamp, Hose, Wormdrive, 0.31-0.88d	1
	15	71427	(009000-) Hose, Fuel, 0.50id 34.0l	1
	16	1031763	(009000-) Plate, Mtg, Fuel Fltr [7400 07]	1
	17	32981	(009000-) Nut, Hex, Lock, .25-20, NI	4
	18	32483	(009000-) Washer, Flat, 0.25 Sae	2
	19	16931	(009000-) Screw, Hex, M 8 X 1.25 X 20, 8.8	6
	20	32491	(009000-) Washer, Flat, 0.31 Std	6
	21	07791	(009000-) Nut, Hex, Flng, M08 X 1.25	6
	22	1028924	(009000-) Manifold, Gas, Relief, Valve [2007]	1
	23	9000355	(009000-) Fitting, Brs, E90, Em05/Pm04	2
	24	1019939	(009000-) Connector, Fuel, E90, Qf	1
	25	06942	(009000-) Screw, Hex, M 6 X 1.0 X 16, 8.8	2
	26	19066	(009000-) Washer, Flt, #10	2
	27	372440	(009000-) Fuel, Fltr [Gm 1.6l/3.0l]	1
	28	1011895	(009000-) Clamp, Cable, Stl, 2.00d X 0.75w, 1h	2
	29	32490	(009000-) Washer, Flat, 0.25 Std	2
	30	08708	(009000-) Nut, Hex, Lock, M6 X 1.0, NI	2
	31	50335	(009000-) Nut, Hex, Std, M5 X 0.8, 8	1
	32	32980	(009000-) Washer, Lock, Int, #10	1
	33	42368	(009000-) Nut, Hex, Std, M4 X 0.7, 8	1
	34	32978	(009000-) Washer, Lock, Int, #08	1
	35	1029293	(009000-) Fitting, Fuel, Str, 9/16-18 [07 Eng]	2
	36	1029295	(009000-) Fitting, Fuel, Str, 3/8-24 [07 Eng]	1
	37	385009	(009000-) Harness, Manifold, Gas	1
	38	41139	(009000-) Washer, Lock, Int-Ext, #10	1
	39	06949	(009000-) Screw, Hex, M6 X 1.0 X 50, 8.8	2

Fig. 27 - Engine Fuel Tank Group, LPG

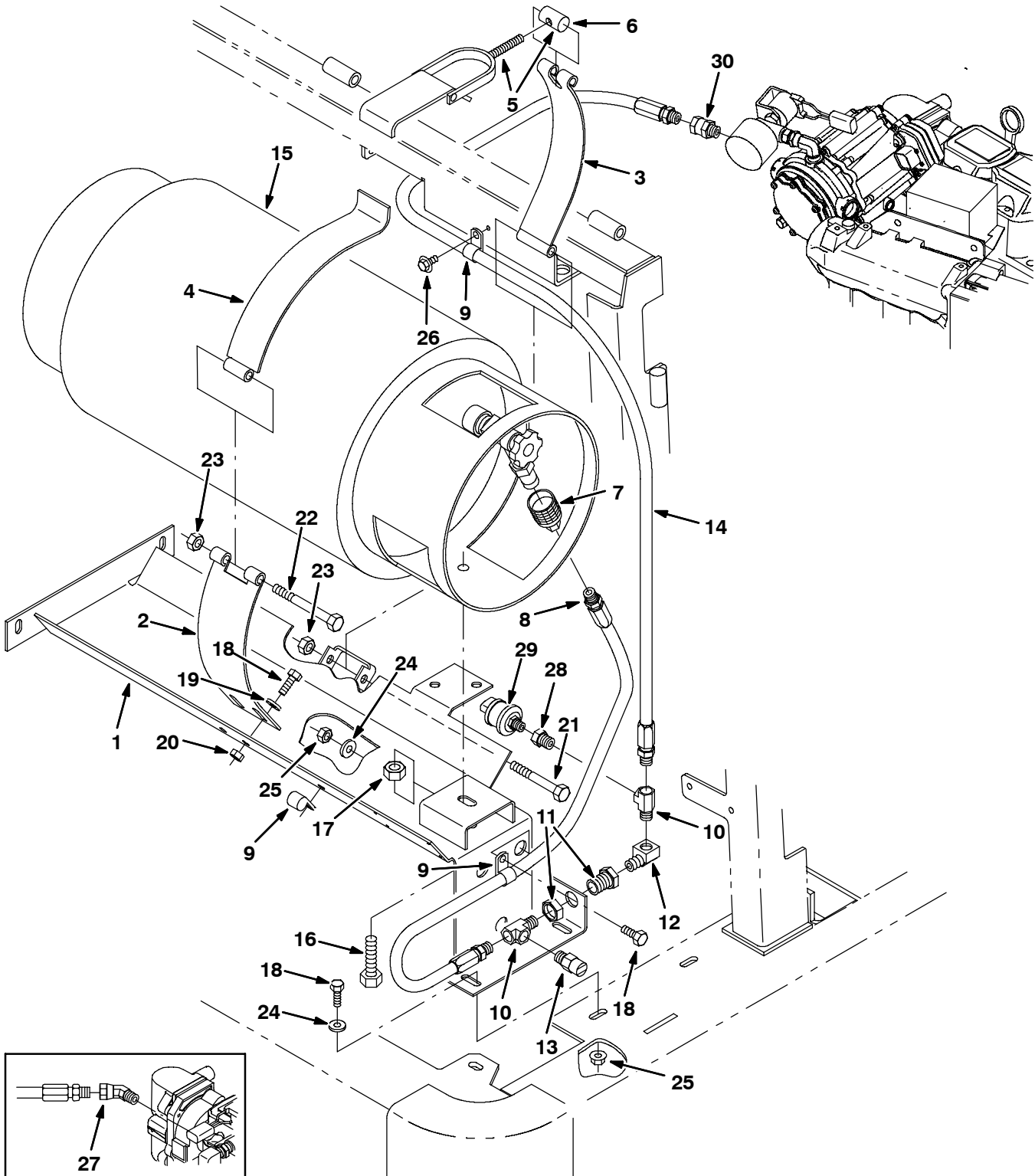


Fig. 27 - Engine Fuel Tank Group, LPG

Ref.	Part No.	Serial Number	Description	Qty.
1	25806	(007000-) Bracket Assy, Lpg Tank W/Label	1
2	58589	(007000-) Strap, Mtg.- Lp Tank	1
3	58590	(007000-) Strap, Tank Retainer - Lp	1
4	57297	(007000-) Strap, Hinge - Lp Tank Mtg	1
▽	5	53400-1	(007000-) Latch Assy, Lpg Tank Mtg,W/Nut	1
▲	6	53400-4	(007000-) Nut, Adjustable, Lpg Tank Mtg	1
7	26496	(007000-) Couplng, Quick Disc. Shwd	1
8	22308	(007000-) Hose Lpg, 4Lpg X 27.0 Lg	1
9	67767	(007000-) Clamp-Cable, .69Dia. 62Wth	3
10	56976A	(007000-) Ftg-Tee Npt 04Pm- 04Pf- 04Pf	2
11	78122	(007000-) Ftg,Bulkhead .25Npt Wh W21204	1
12	27048	(007000-) Fitting, El 90Npt/Npt 04Pf-	1
13	24047	(007000-) Valve, Press Relief, Lpg Rego	1
14	19760	(007000-) Hose, Lpg, Med05, Pm04str/Sm04str, 55.0l	1
15	24928-1	(007000-) Tank-Lp,33@,Liq,Both,Fill Ga L	1
16	06416	(007000-) Screw, Hex, M12 X 1.75 X 50, FI	1
17	08711	(007000-) Nut, Hex, Lock, M12 X 1.75,NI	1
18	16931	(007000-) Screw, Hex, M 8 X 1.25 X 20, 8.8	7
19	32490	(007000-) Washer, Flat, 0.25 Std	2
20	08713	(007000-) Nut, Hex, Lock, M 8 X 1.25, NI, Ss	2
21	35707	(007000-) Screw, Hex, .38-16 X 3.00, 5	1
22	35710	(007000-) Screw, Hex, .38-16 X 3.75, 5	1
23	50902	(007000-) Nut, Hex, Lock, .38-16, NI	2
24	32491	(007000-) Washer, Flat, 0.31 Std	5
25	07791	(007000-) Nut, Hex, Fing, M08 X 1.25	5
26	74455	(007000-) Screw, Hex, M 6 X 1.0 X 12, Fmg	2
27	392645	(007000-008999) Fitting, Pipe, E45, Pm04/Pf04, [Swivel]	1
28	17414	(007000-) Fitting, Hyd, Str, Pf02/Pm04	1
29	23156	(007000-) Switch, Press, 12vdc 08a Spst Nc 0070psi	1
30	11442-23	(009000-) Fitting, Pipe, Str, Pm04/Sf04	1

Fig. 28 - Engine Radiator Group

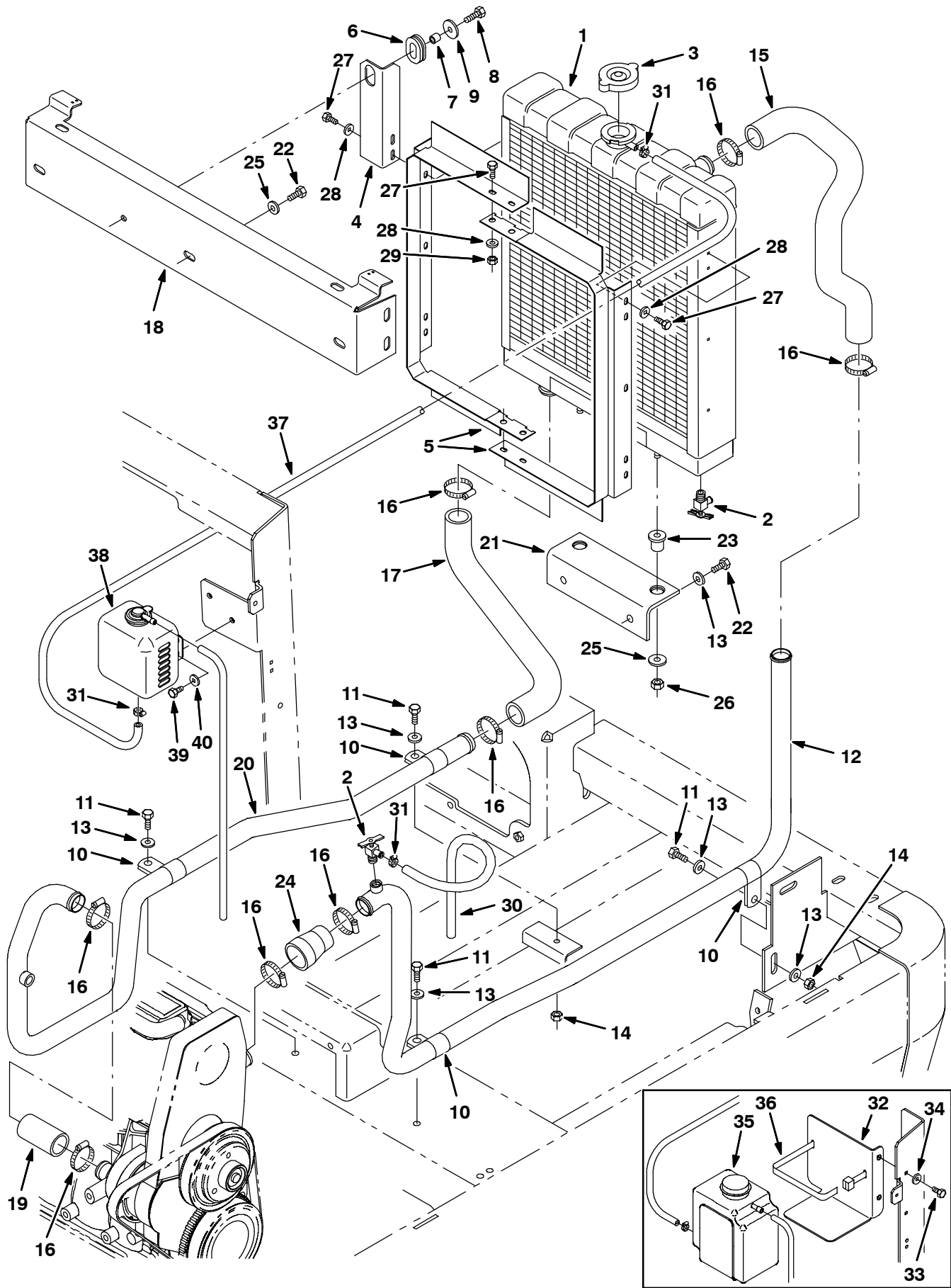


Fig. 28 - Engine Radiator Group

Ref.	Part No.	Serial Number	Description	Qty.
1	1018059	(007000-) Radiator, F/1018059 Afmkt	1
2	51305	(007000-) Drain Cock,.25Npt Wh#120 Angl	2
3	368132	(007000-) Cap, Radiator, 15psi	1
4	71947	(007000-) Strap, Radiator	1
5	71949	(007000-) Panel, Shroud, Radiator	2
6	10632-14	(007000-) Grommet,Rbr,1.00ld,For .12Matl	1
7	22140	(007000-) Sleeve, .370B .50D .50 Butwcd	1
8	12333	(007000-) Scr-Hexssm 8X1.25 25 Nylnloc	1
9	30013	(007000-) Washer-Flt .31 Fender Pltd	1
10	58366	(007000-) Clamp,Cable 1.25Dia 1.00W Neo	4
11	09010	(007000-) Scr Hexssm 8X1.25 25	4
12	1011867	(007000-) Tube, Coolant, 1.3d Upper, [7400gas/Lpg]	1
13	01685	(007000-) Washer Flt .31 Ss	7
14	08713	(007000-) Nut-Hxlocnyln M 8X1.25 Reg Ss	2
15	20917	(007000-) Hose, Radiator	1
16	79381	(007000-) Clamp Wormdrive, 1.25-2.00	8
17	71916	(007000-) Hose, Radiator	1
18	71948	(007000-) Bracket, Mountin, Radiator	1
19	62378	(007000-) Hose, Rbr, 1.25id 1.62od 03.0L	1
20	1011486	(007000-007078)) Tube, Radiator, Lower [Gm1.6L 7400]	1
20	1015568	(007079-) Tube, Radiator, Lower [Gm1.6L 7400]	1
21	71950	(007000-) Bracket, Mounting, Radiator	1
22	12273	(007000-) Scr-Hexssm 8X1.25 20 Nylnloc	6
23	54274	(007000-) Isolator-Vibration,125Lb.Ratng	2
24	1011823	(007000-) Hose, Coolant, Mold, [Epdm]	1
25	13248	(007000-) Washer, .400B 1.12D .12Cr. Znc	6
26	41430	(007000-) Nut, Hex, Lock, M10 X 1.5, NI	2
27	06942	(007000-) Screw, Hex, M 6 X 1.0 X 16, 8.8	12
28	32490	(007000-) Washer, Flat, 0.25 Std	16
29	08708	(007000-) Nut, Hex, Lock, M 6 X 1.0, NI	4
30	73471	(007000-) Hose, Pvc, Clr, 0.38id 0.56od 22.00l	1
31	43844	(007000-) Clamp, Hose, Wormdrive, 0.25-0.62d	3
32	1014520	(007000-007743)) Bracket, Tank, Coolant Recovery	1
33	16735	(007000-007743)) Screw, Hex, M8 X 1.25 X 16, 8.8	2
34	32491	(007000-007743)) Washer, Flat, 0.31 Std	2
35	768897	(007000-007743)) Tank, Coolant, 06.0 04.5 06.9deep 2.5 Qt	1
36	32815	(007000-007743)) Tie, Cable, Nyl, 28.5l .50w 8.0 Max D	1
37	1014843	(007000-) Hose, Recvy, Coolant, 0.31id X 60l	1
38	1023853	(007744-) Tank, Coolant, 04.7 03.3 4.7deep, 1liter	1
39	06941	(007744-) Screw, Hex, M6 X 1.0 X 10, 8.8	2
40	01684	(007744-) Washer, Flat, 0.25 Ss	2

Fig. 29 - Engine Cooling Fan and Housing Group

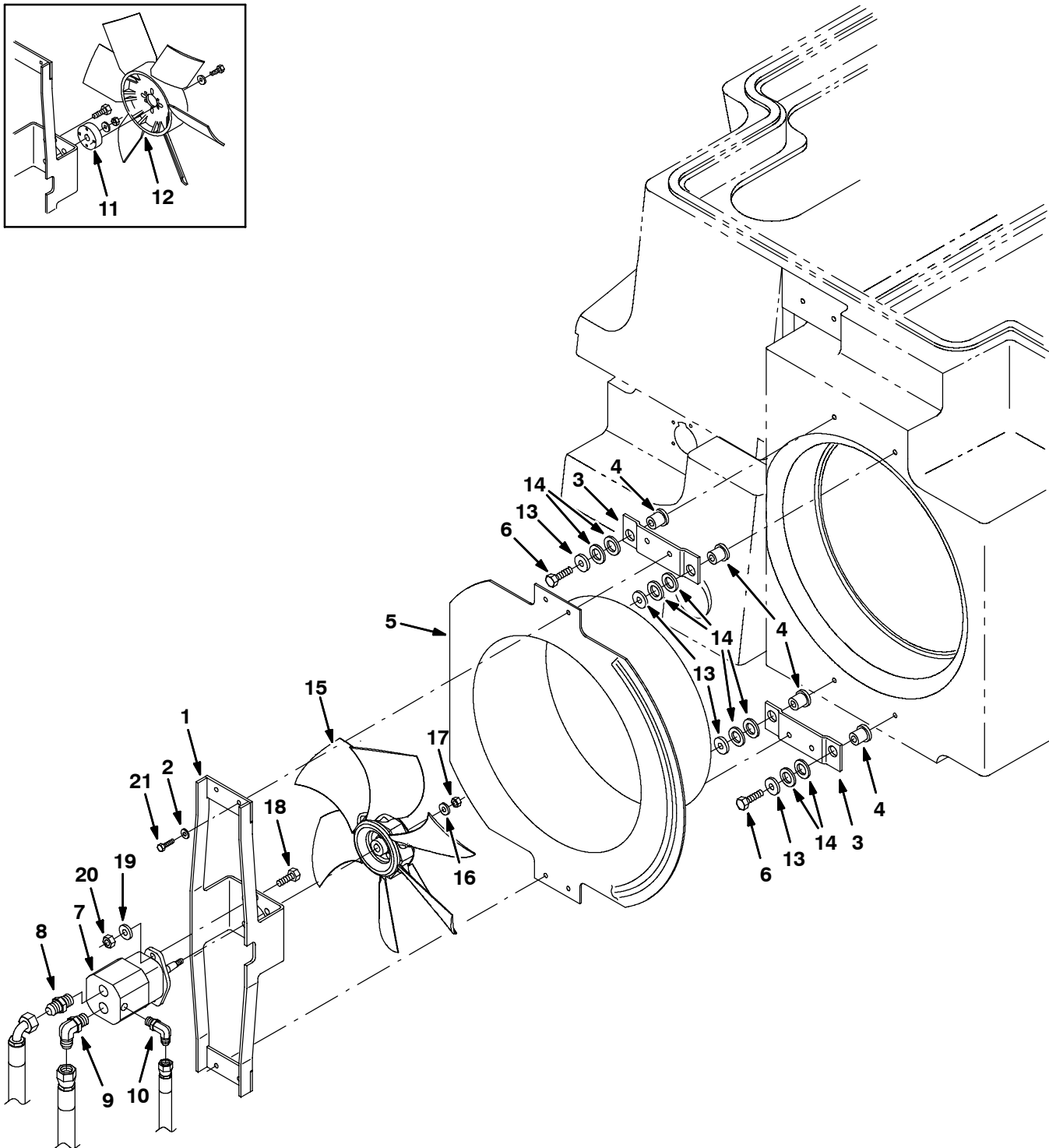


Fig. 29 - Engine Cooling Fan and Housing Group

Ref.	Part No.	Serial Number	Description	Qty.
1	71482	(007000-) Channel Wldt, Fan Motor	1
2	41185	(007000-) Washer-Belleville .25 Pltd	4
3	71484	(007000-) Bracket, Mtg, Fan	2
4	54274	(007000-) Isolator-Vibration,125Lb.Ratng	4
5	71480	(007000-) Panel, Transition	1
6	12317	(007000-) Scr Hexssm10X1.5 30	4
7	71719	(007000-) Motor, Hyd Gear (See Breakdowns)	1
8	52402	(007000-) Ftg-Hyd Str Jm06/Om08	1
9	47512	(007000-) Ftg-Hyd E90 Jm06/Om08	1
10	82825	(007000-) Fitting, Hyd, E90, Jm04/Om04, L	1
11	71287	(007000-008999) Hub, Mounting, Fan	1
12	30559	(007000-008999) Fan, Pusher	1
13	13248	(007000-) Washer .400B 1.12D .12Cr Znc	4
14	09832	(007000-) Washer, .812B 1.06D .06Cr	8
15	1031566	(009000-) Fan, Cooling, 14.3d, 6 Blade, 0.5b Taper	1
16	32491	(009000-) Washer, Flat, 0.31, Std	1
17	08709	(009000-) Nut, Hex, Lock, M8 X 1.25, NI	1
18	39283	(007000-) Screw, Hex, M10 X 1.5 X 25, 8.8	2
19	32492	(007000-) Washer, Flat, 0.38 Std	2
20	41430	(007000-) Nut, Hex, Lock, M10 X 1.5, NI	2
21	06943	(007000-) Screw, Hex, M6 X 1.0 X 20, 8.8	4

Fig. 30 - Engine Battery Group

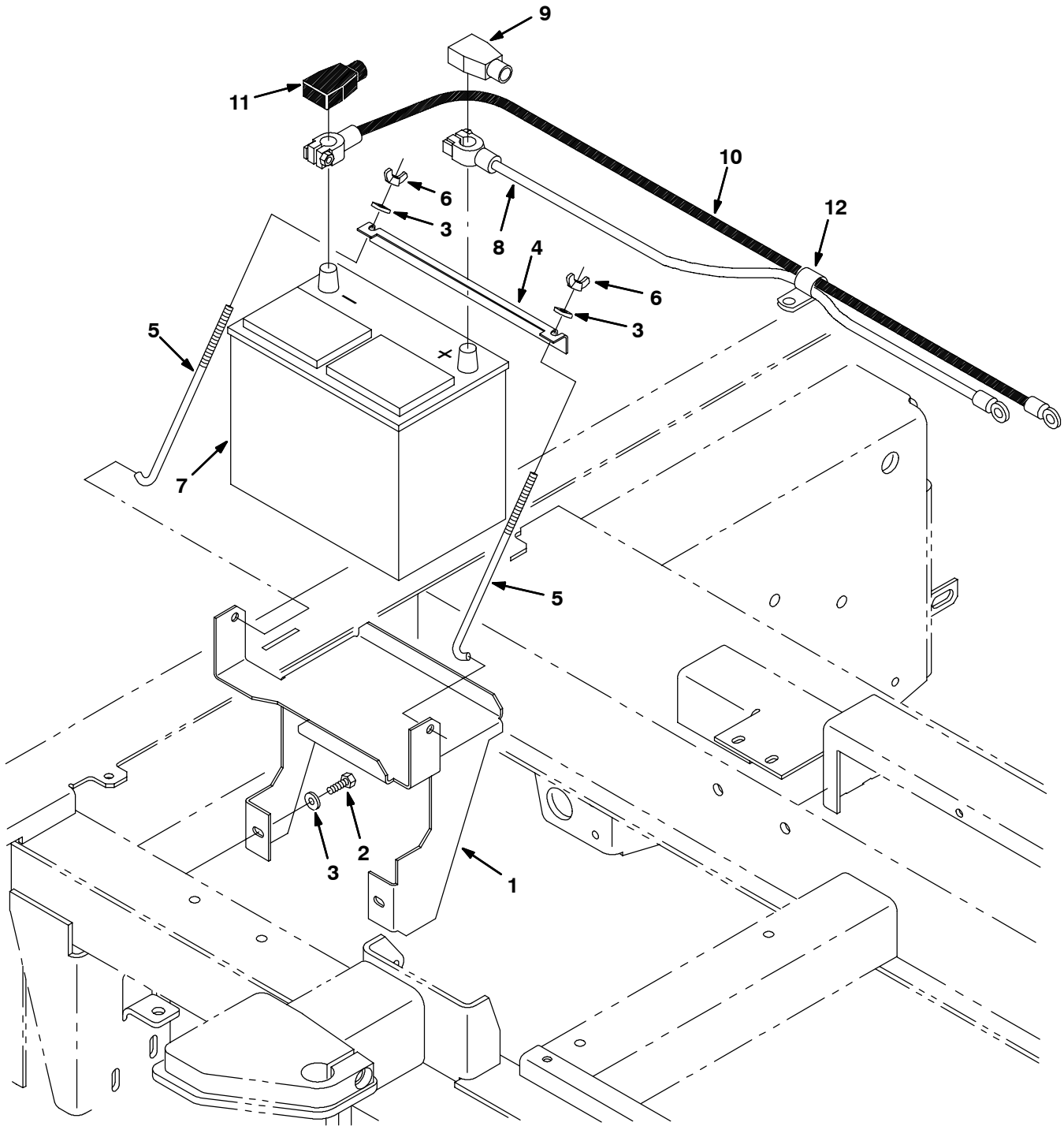


Fig. 30 - Engine Battery Group

Ref.	Part No.	Serial Number	Description	Qty.
1	71169	(007000-) Tray, Battery	1
2	09010	(007000-) Scr Hexssm 8X1.25 25	2
3	01685	(007000-) Washer Flt .31 Ss	4
4	72977	(007000-) Angle, Battery	1
5	13015	(007000-) Bolt, Hold Down, Battery, 7.5 Lg	2
6	39272	(007000-) Nut-Wing .31-18 Pltd	2
7	10137	(007000-) Battery, 12V, Cc Amps:475 Wet	1
8	31258	(007000-) Cable, Battery Pos 4Ga. 38L	1
9	68873	(007000-) Boot, Batt. Term. 1-2Ga. Red	1
10	57779	(007000-) Wire Assy' Elect., Batt. Neg.	1
11	68872	(007000-) Boot, Batt. Term. 1-2Ga. Black	1
12	69234	(007000-) Clamp-Cable, 1.00Dia. .62Wth	1

Fig. 31 - Wheel Group, Front Drive

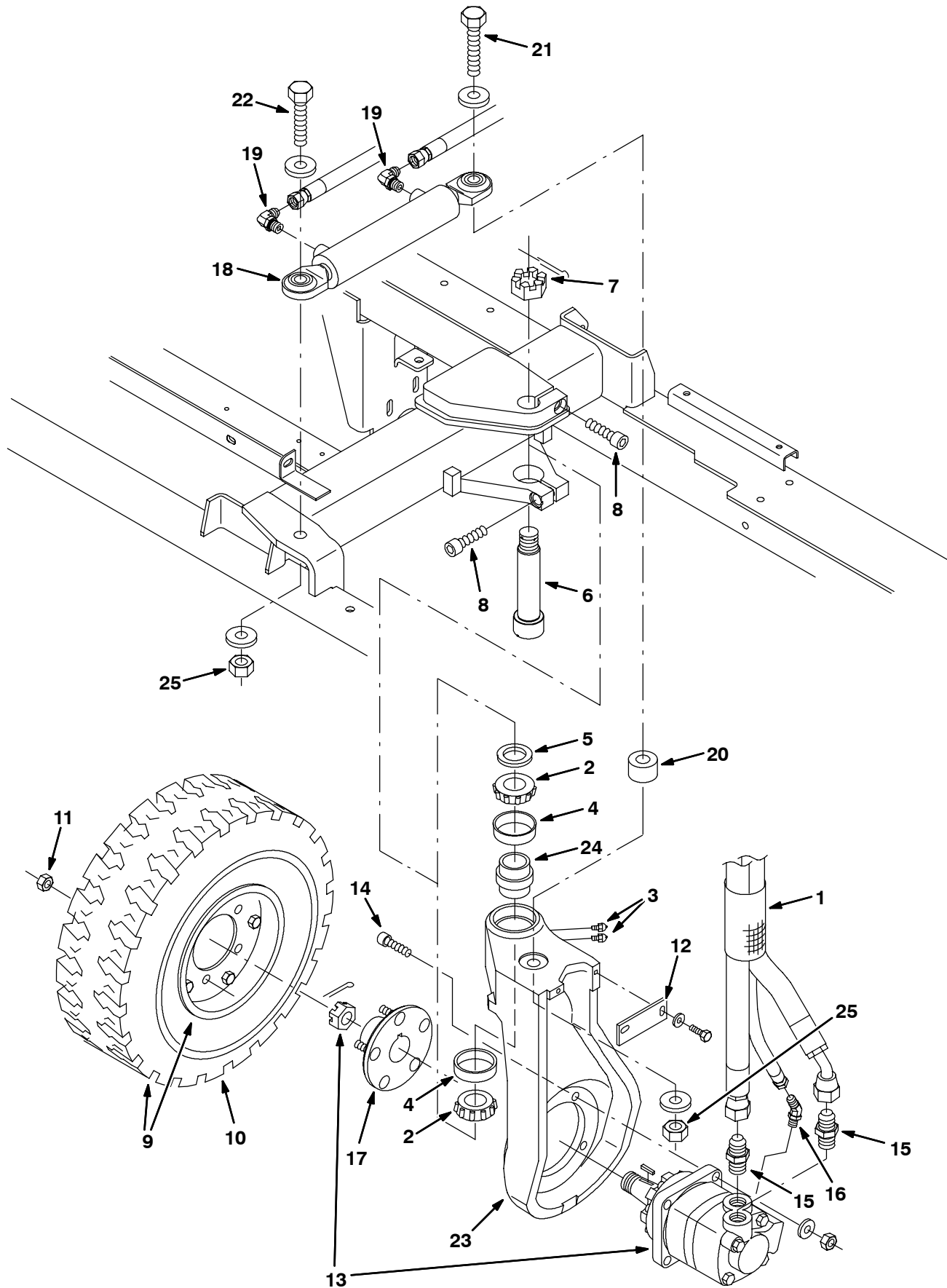


Fig. 31 - Wheel Group, Front Drive

Ref.	Part No.	Serial Number	Description	Qty.	
1	57315	(007000-) Sleeve, Nyl, #37 5.0l	1	
2	51339	(007000-) Bearing-Cone, 1.38Bore 0.71Wth	2	
3	47801	(007000-) Ftg, Grease.25-28Th Strt .63L	2	
4	51338	(007000-) Bearing, Cup, 2.56d 0.55w	2	
5	54051	(007000-) Washer, Thrust	1	
6	73281	(007000-) Pin,Support Wheel, Bar	1	
7	54052	(007000-) Nut-Hex Slot 1.12-18	1	
8	72926	(007000-) Scr Soc	1	
▽	9	71344	(007000-) Tire & Wheel Assy, Front	1
▲	10	71345	(007000-) Tire, Solid 5.00 X 8 X 3.75	1
11	24339	(007000-) Nut Wheel .50-20 60 Angle	5	
12	58842	(007000-) Plate - Hose Support	1	
13	22604	(007000-) Motor, Hyd Gear (See Breakdowns)	1	
14	19583	(007000-) Scr Soc .50-13X1.50	4	
15	42223	(007000-) Ftg-Hyd Str Jm10/Om12	2	
16	34359	(007000-) Ftg-Hyd E45 Jm04/Om04	1	
▽	17	54087	(007000-) Hub & Stud	1
▲		32126	(007000-) Stud, Wheel .50-20 X 1.50	5
18	1029833	(007000-) Cylinder, Hyd, 2.0b 14.8l 08.00strk 3000	1	
19	56820	(007000-) Ftg-Hyd E90 Jm06/Om06	2	
20	71340	(007000-) Sleeve, .88B 1.75D 1.12L, Stl	1	
21	71341	(007000-) Scr-Hex .75-10x4.00 G5 Pltd	1	
22	77345	(007000-) Scr-Hex .75-10x3.25 G5 Pltd	1	
23	374562	(003818-) Housing, Support, Wheel	1	
24	374560	(003818-) Seal, Drive Grease Cavity	1	
25	32987	(007000-) Nut, Hxlocnylon .75-10	2	

Fig. 32 - Wheels and Brakes Group, Rear

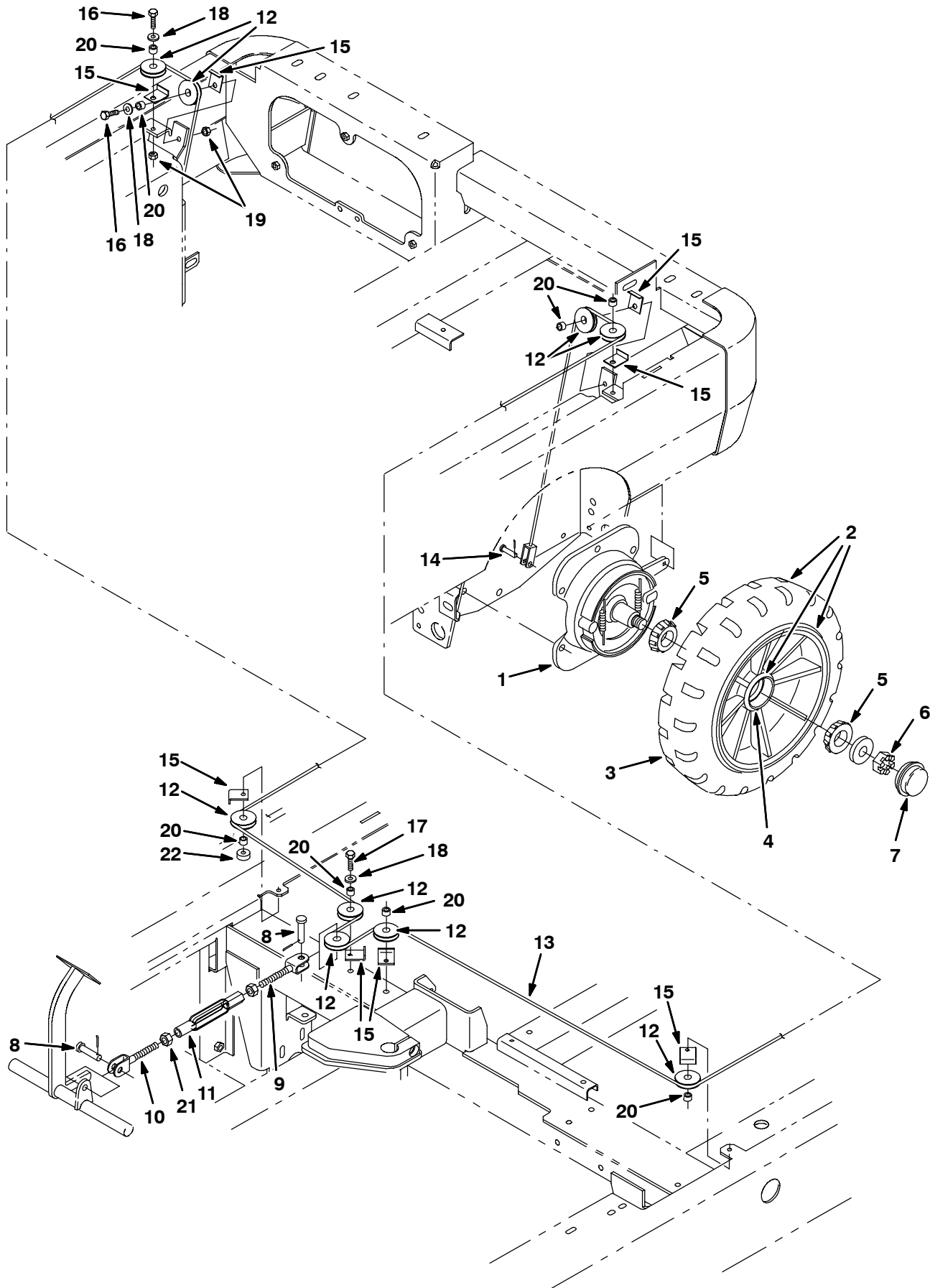


Fig. 32 - Wheels and Brakes Group, Rear

Ref.	Part No.	Serial Number	Description	Qty.
▽	1	54577	(007000-) Brake Assy	2
▲		66211	(007000-) Brake Shoe (Need 2)	2
▲▽		66213	(007000-) Brake Repair Kit	1
▲▲		70161	(007000-) Shaft, Cam, Chrome Plated	1
▲		70158	(007000-) Spring, Return, Brakes	2
▽	2	54437	(007000-) Wheel	2
▲	3	54567	(007000-) Tire, 18X5X12.12 Solid	1
▲	4	51338	(007000-) Bearing, Cup, 2.56d 0.55w	2
	5	51339	(007000-) Bearing-Cone, 1.38Bore 0.71Wth	4
	6	14242	(007000-) Nut-Hxslot 1.00-20 Pltd	2
	7	54390	(007000-) Cap, Hub	2
	8	06598	(007000-) Pin,Clevis,0.50 Dia.X 1.42 Lg	2
	9	71372	(007000-) Yoke Wldt, Lh	1
	10	71373	(007000-) Yoke Wldt, Rh	1
	11	75147	(007000-) Turnbuckle,.50-20Thd,2.2-4.4Lg	1
	12	369781	(007000-) Pulley, Cable, 1.5d, Nyl	9
	13	71361	(007000-) Cable, Brake, Service	1
	14	09088	(007000-) Pin,Clevis,0.37 Dia.X 1.00 Lg	2
	15	54400	(007000-) Angle, Cable Keeper	8
	16	09023	(007000-) Scr Hexssm 8X1.25 35	6
	17	09026	(007000-) Scr Hexssm 8X1.25 40	2
	18	01685	(007000-) Washer Flt .31 Ss	8
	19	08713	(007000-) Nut-Hxlocnyln M 8X1.25 Reg Ss	6
	20	222460	(007000-) Spacer	8
	21	71369	(007000-) Nut-Hx Jam .50-20 Left Pltd	1
	22	69462	(007000-) Sleeve, .401B 1.00D .38Hrs	1

Fig. 33 - Brake Pedal Group

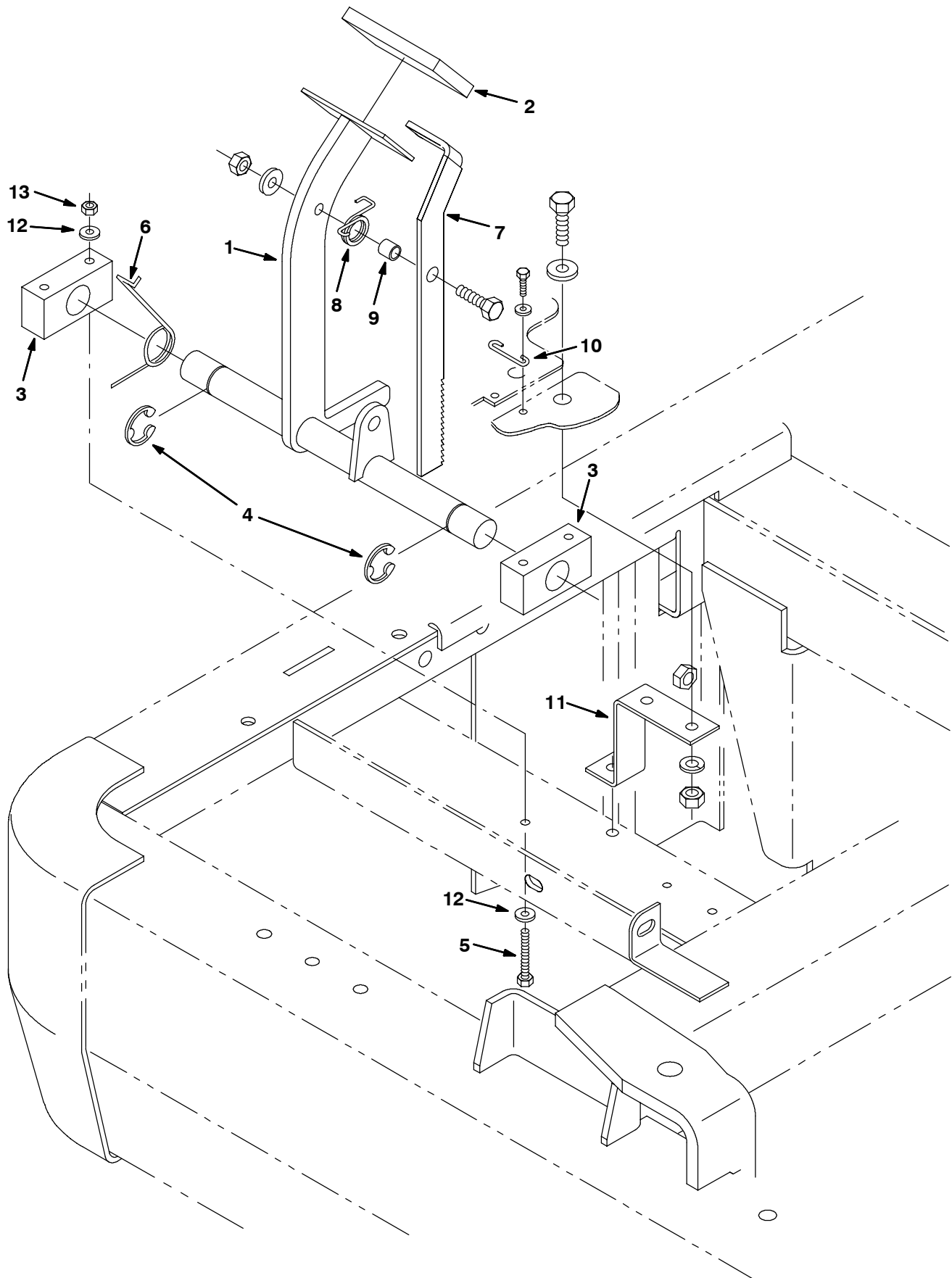


Fig. 33 - Brake Pedal Group

Ref.	Part No.	Serial Number	Description	Qty.
1	71360	(007000-) Shaft Wldt, Brake	1
2	51109	(007000-) Pad	1
3	86751	(007000-) Bearing, Brake	2
4	23788	(007000-) Ring,Retain,Ex,0.98Od,E-Ring	2
5	58979	(007000-) Screw-Hex Ssm 6X1.0	4
6	54607	(007000-) Spring, Torsion	1
7	22731	(007000-) Pedal, Brake Lock Ec	1
8	59009	(007000-) Spring, Tors 0.75D 1.00L .060W	1
9	46563	(007000-) Bshg,Sleeve,0.37Bx0.50Odx0.50L	1
10	71367	(007000-) Spring, Brake, Parking	1
11	71796	(007000-) Bracket, Brake	1
12	01684	(007000-) Washer Flt .25 Ss	8
13	08712	(007000-) Nut-Hxlocnyln M6X1.0 Reg Ss	4

Fig. 34 - Directional Pedal and Linkage Group

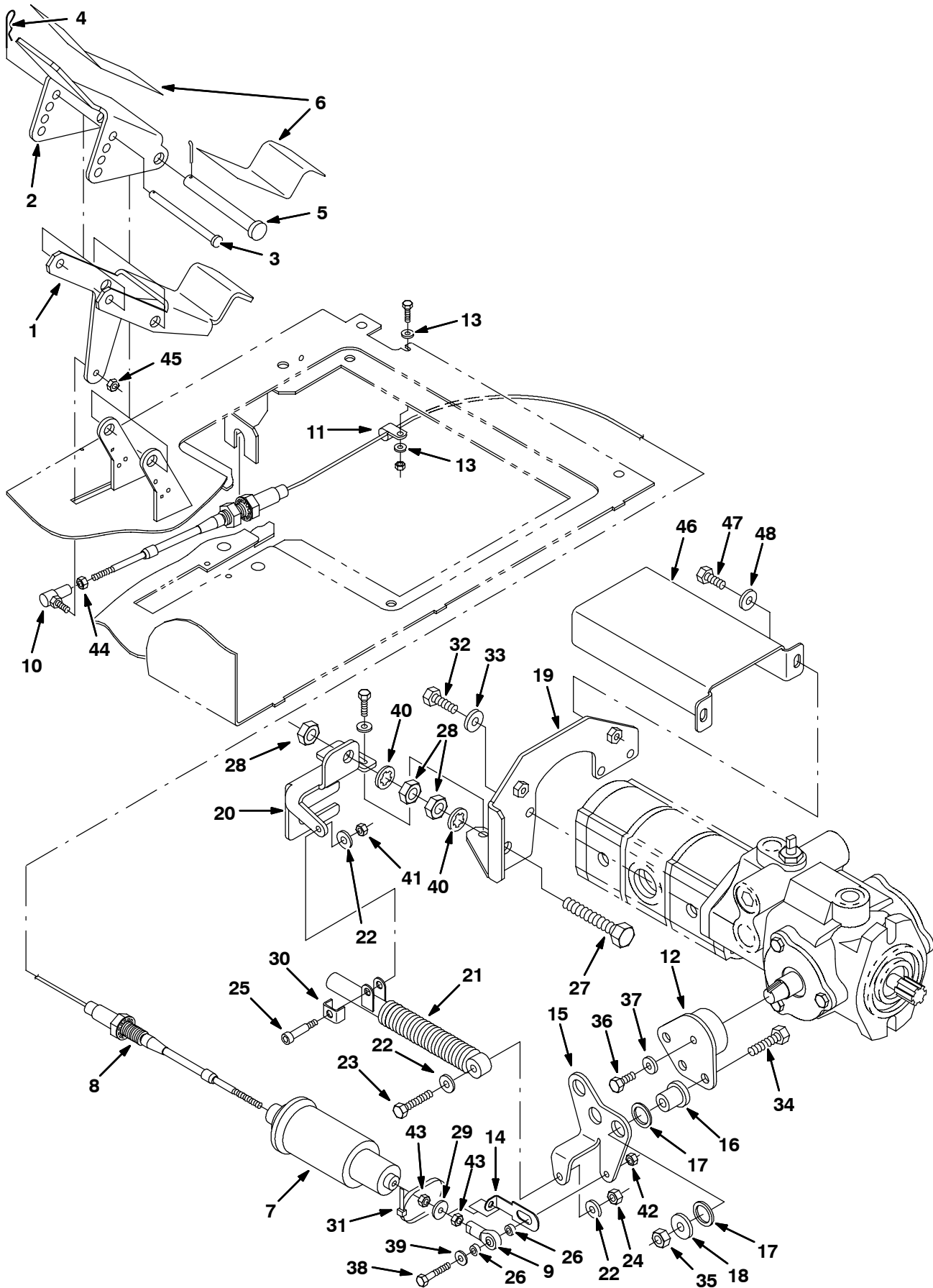


Fig. 34 - Directional Pedal and Linkage Group

Ref.	Part No.	Serial Number	Description	Qty.
1	71677	(007000-) Pedal, Lower, Propel	1
2	75305	(007000-) Pedal, Upper	1
3	59672	(007000-) Pin, Clevis .31 Dia X 4.50 Lg	1
4	86866	(007000-) Pin, Hair Cotter .38D .072 Wire	1
5	59668	(007000-) Pin, Clevis .50 Dia X 4.50 Lg	1
6	82839	(007000-) Pad, Tread	1
7	63292	(007000-) Spring, Propel, Centering	1
8	71676	(007000-) Cable, Push-Pull	1
9	68866	(007000-) Rod End .250-28 .25Dia	1
10	14601	(007000-) Ball Joint, 250-28	1
11	26395-1	(007000-) Clamp-Cable, 0.56Dia 0.38Wth	1
12	71682	(007000-) Arm Wldt, Propel	1
13	01683	(007000-) Washer Flt 10 Ss	2
14	83887	(007000-) Bracket, Safety Clip	1
15	71680	(007000-) Arm, Propel, Lower	1
16	54274	(007000-) Isolator-Vibration,125Lb.Ratng	3
17	09832	(007000-) Washer, .812B 1.06D .06Cr.	6
18	32492	(007000-) Washer, Flat, 0.38 Std	3
19	71678	(007000-) Bracket, Propel	1
20	71681	(007000-) Bracket, Propel, Adjustment	1
21	73411	(007000-) Shock Absorber	1
22	01685	(007000-) Washer Flt .31 Ss	4
23	09023	(007000-) Scr Hexssm 8X1.25 35	1
24	08713	(007000-) Nut-Hxlocnyln M 8X1.25 Reg Ss	1
25	16213	(007000-) Scr-Shld .312Dx1.00L .25-20	1
26	65441	(007000-) Spacer, .259ld 375Od .250Lg	2
27	53963A	(007000-) Scr-Hx .50-13 X 3.00 Full Thd	1
28	01704	(007000-) Nut-Hx Jam .50-13 Ss	3
29	78785	(007000-) Washer, .250B .88D .06Neoprene	1
30	84170	(007000-) Bracket, Retainer	1
31	49266	(007000-) Tie, Cable, Nyl, 07.3l .19w 1.8 Max D	1
32	46559	(007000-) Screw, Hex, .38-16 X 1.25, NI	2
33	32485	(007000-) Washer, Flat, .38 Sae	4
34	39285	(007000-) Screw, Hex, M10 X 1.5 X 40, 8.8	3
35	41430	(007000-) Nut, Hex, Lock, M10 X 1.5, NI	3
36	83879	(007000-) Screw, Hex, .31-24 X 0.75, NI	1
37	39349	(007000-) Washer, Flat, 0.31 Sae	1
38	25049	(007000-) Screw, Hex, .25-20 X 1.75, 5	1
39	32490	(007000-) Washer, Flat, 0.25 Std	1
40	32989	(007000-) Washer, Lock, Int, .50	2
41	75934	(007000-) Nut, Hex, Lock, .25-20, NI	1
42	32981	(007000-) Nut, Hex, Lock, .25-20, NI	1
43	01714	(007000-) Nut, Hex, Std, .25-28	2
44	32899	(007000-) Nut, Hex, Jam, .25-28	1
45	13513	(007000-) Nut, Hex, Lock, .25-28, NI	1
46	1021315	(007549-) Bracket, Shield	1
47	16931	(007549-) Screw, Hex, M8 X 1.25 X 20, 8.8	2
48	39349	(007549-) Washer, Flat, 0.31 Sae	2

Fig. 35 - Vacuum Fan Group

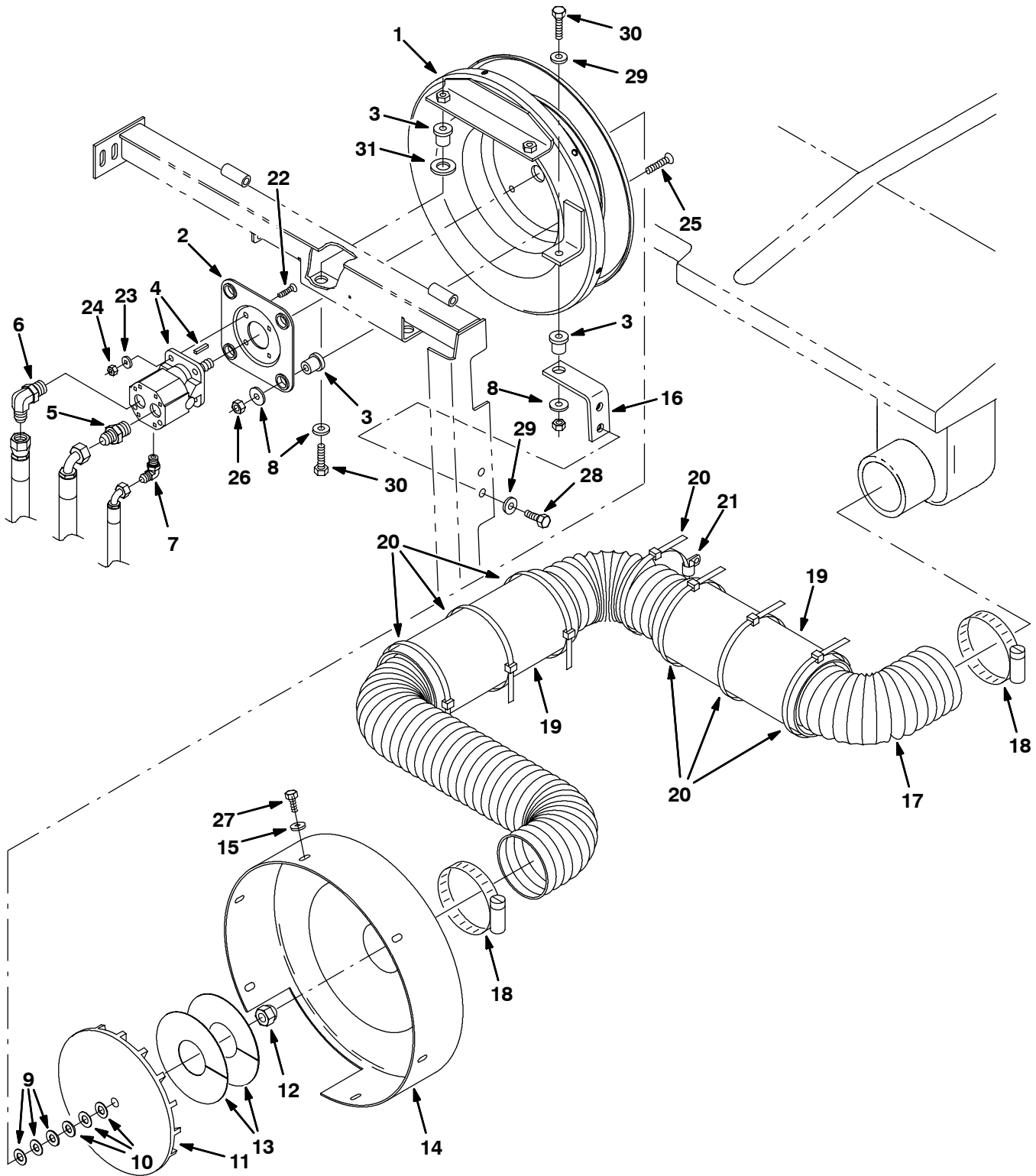


Fig. 35 - Vacuum Fan Group

Ref.	Part No.	Serial Number	Description	Qty.
1	1010984	(007000-) Housing Wldt, Vac Fan	1
2	54275A	(007000-) Bracket, Mounting Motor	1
3	54274	(007000-) Isolator-Vibration,125Lb.Ratng	7
4	73112	(007000-) Motor, Hyd Gear (See Breakdowns)	1
5	56692	(007000-) Ftg-Hyd Str Jm08/Om10	1
6	56821	(007000-) Ftg-Hyd E90 Jm08/Om10	1
7	77097	(007000-) Ftg-Hyd E90 Jm04/Om04	1
8	13248	(007000-) Washer .400B 1.12D .12Cr Znc	7
9	75456-3	(007000-) Shim .020Th 0.88Odx0.506ld	3
10	75456-4	(007000-) Shim .060Th 0.880Dxo.506ld	3
11	03922	(007000-) Impeller 9.5 Dia. 18 Blade Mac	1
12	41130	(007000-) Nut-Low Crown .50-20 Pltd	1
13	58114	(007000-) Fan, Repair Kit, Reassembly	1
14	25821	(007000-) Housing, Vac Fan W/Label	1
15	41186	(007000-) Washer-Belleville .31 Pltd	6
16	1010987	(007000-) Bracket, Mounting, Fan	1
17	1012257	(007000-) Hose, Vacuum 4.0	1
18	79380	(007000-) Clamp Wormdrive, 3.75-4.62	2
19	75375	(007000-) Flap,Containment	2
222809	44961	(007000-) Tie, Cable 4.00 Max 14.50 Lg 29.8	7
21	67767	(007000-) Clamp, Cable, Stl, 0.69d X 0.62w, 1h	1
22	39534	(007000-) Screw, Flt, .25-20 X 1.00, Al	4
23	32483	(007000-) Washer, Flat, 0.25 Sae	4
24	32981	(007000-) Nut, Hex, Lock, .25-20, NI	4
25	54861	(007000-) Screw, Flt, .38-16 X 1.50, Al	4
26	50902	(007000-) Nut, Hex, Lock, .38-16, NI	4
27	16931	(007000-) Screw, Hex, M8 X 1.25 X 20, 8.8	6
28	39283	(007000-) Screw, Hex, M10 X 1.5 X 25, 8.8	2
29	32492	(007000-) Washer, Flat, 0.38 Std	3
30	39285	(007000-) Screw, Hex, M10 X 1.5 X 40, 8.8	3
31	39350	(007000-) Washer, Flat, 0.75 Sae	2

Fig. 36 - Solution Control Group

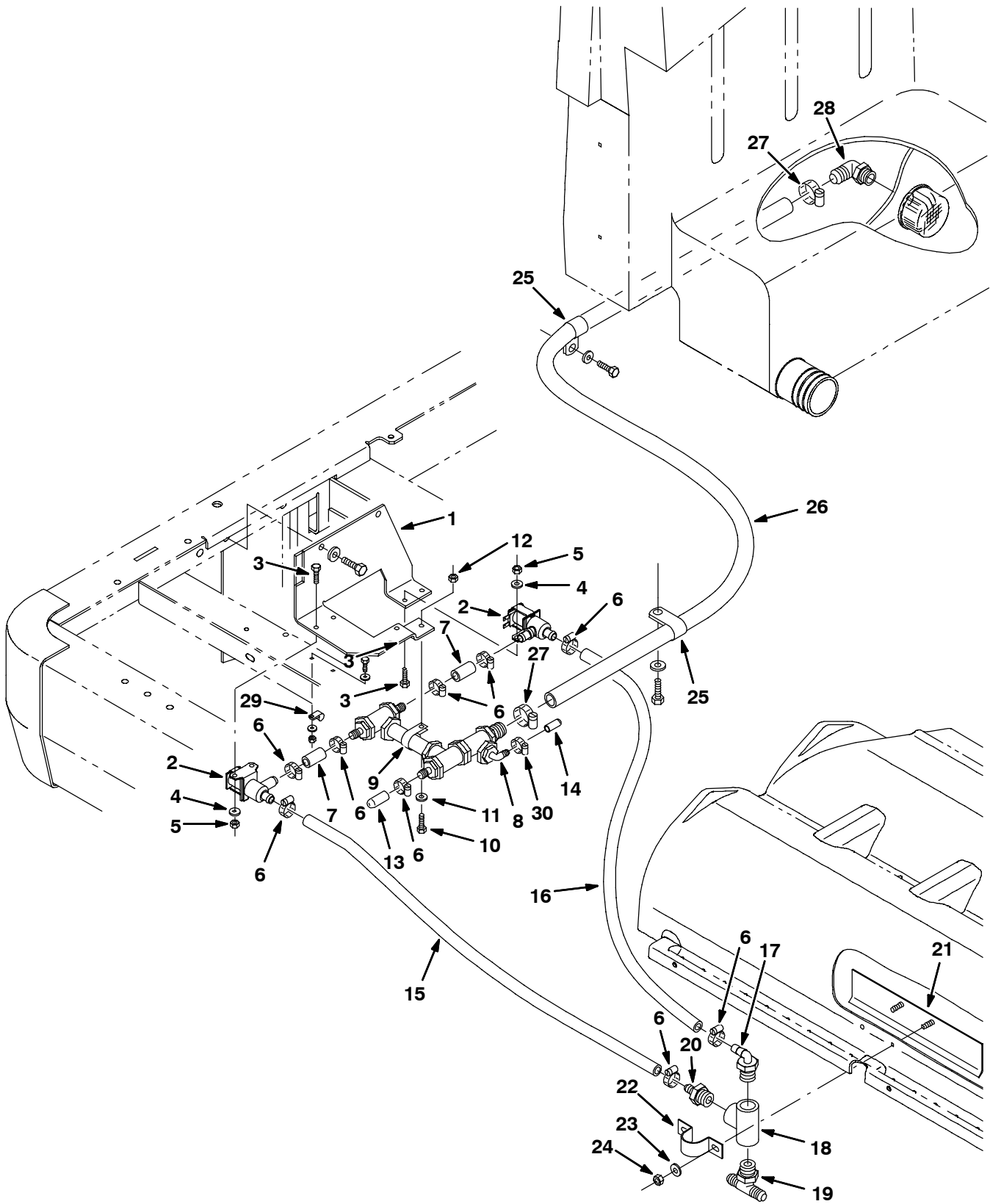


Fig. 36 - Solution Control Group

Ref.	Part No.	Serial Number	Description	Qty.
1	71786	(007000-) Bracket, Sol Control	1
2	369850	(007000-) Valve, Water, Solenoid	2
3	08716	(007000-) Screw, Hex Ssm 6 X 1.0 20	4
4	01684	(007000-) Washer Flt .25 Ss	4
5	08712	(007000-) Nut Hxlocnyln M 6X1.0 Reg Ss	4
6	54333	(007000-) Clamp-Wormdrive, 0.31- 0.88D	9
7	71793	(007000-) Hose, Vinyl Clr .501Dx1.0Lng	2
8	71614	(007000-) Fitting Assy, Sol Control	1
9	50544	(007000-) Clamp-Cable, 1.12Dia 0.38Wth	1
10	09738	(007000-) Scr Hexssm 5X0.8 12	1
11	01683	(007000-) Washer Flt10 Ss	1
12	09739	(007000-) Nut-Hxlocnyln M 5X0.8 Reg 18-8	1
13	20807	(007000-) Cap, Neoprene, Black	1
14	20806	(007000-) Cap, Neoprene, Black	1
15	20778	(007000-) Hose, Vinyl, Clear	1
16	20779	(007000-) Hose, Vinyl, Clear	1
17	63244-3	(007000-) Ftg,Plstc,Elb,Barb.75Pt-.50Hse	1
18	42133A	(007000-) Ftg,Plstc,Tee,.75-.75-.75Pipe	1
19	71982	(007000-) Fitting, Plastic Tee 12Bm/12Pm	1
20	79273-1	(007000-) Ftg,Plstc,Cplg,Barb.75Pt-.50Hs	1
21	1027294	(007000-) Plate Wldt, Stiffener, Ss	1
22	56553	(007000-) Clamp-Conduit, 2 Slot 1.50Dia	1
23	01684	(007000-) Washer Flt .25 Ss	2
24	08712	(007000-) Nut Hxlocnyln M 6X1.0 Reg Ss	2
25	53466	(007000-) Clamp-Cable, 1.50Dia. 1.00W	2
26	20777	(007000-) Hose, Vinyl, Clear	1
27	11399	(007000-) Clamp-Wormdrive, 0.81- 1.50D	2
28	20959	(007000-) Fitting, Plastic E90 16Bm/12Pm	1
29	40678	(007000-) Clamp-Cable, 0.44D 0.62W Stl	1
30	43844	(007000-) Clamp, Hose, Wormdrive, 0.25-0.62d	1

Fig. 37 - Solution Tank Group

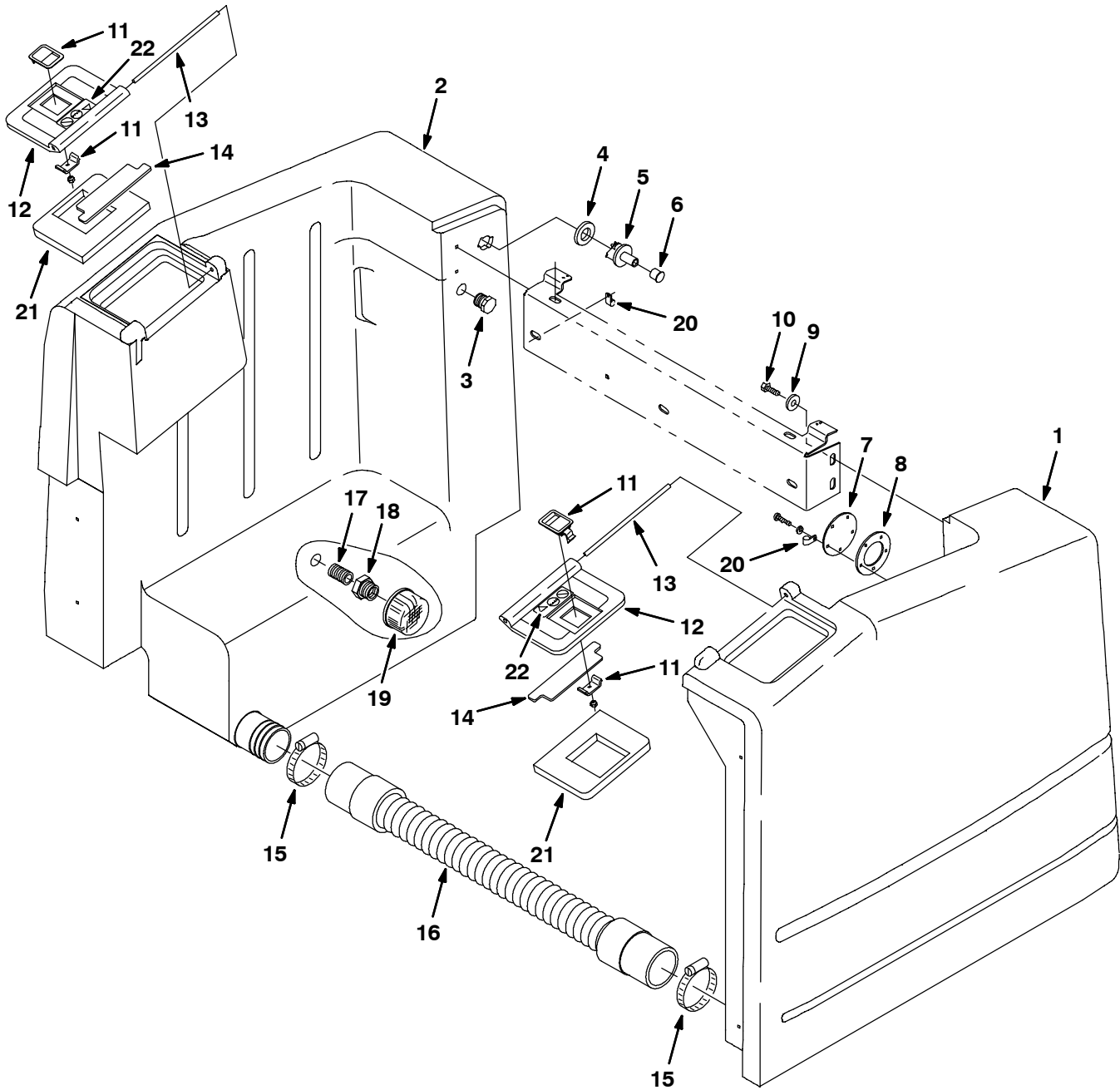


Fig. 37 - Solution Tank Group

Ref.	Part No.	Serial Number	Description	Qty.
1	20918	(007000-) Tank, Solution, Lh	1
2	20919	(007000-) Replm Kit, Solution Tnk	1
3	75611	(007000-) Ftg-Plug Npt 12Pm Rd Hd Plstc.	1
4	73342	(007000-) Gasket, Check Valve	1
5	78840	(007000-) Valve, Check	1
6	78740	(007000-) Plug, Cap, Check Valve	1
7	86755	(007000-) Cap, Plate	1
8	86591	(007000-) Gasket	1
9	1017218	(007000-) Washer, Flat, 0.321b 1.00d .12, Ss	4
10	12273	(007000-) Scr-Hexssm 8X1.25 20 Nyloloc	4
11	20996	(007000-) Latch, Engine Door, Side	2
12	20995	(007000-) Cover, Solution Tank	2
13	20924	(007000-) Rod, Plastic	2
14	20958	(007000-) Sheet, Plastic, Backup	2
15	17188	(007000-) Clamp Wormdrive, 1.62-3.50	2
16	20927	(007000-) Hose, Crossover	1
17	69784	(007000-) Ftg,Plstc,Nip. 0.75Ptx 1.68Lg	1
18	20811	(007000-) Fitting, Plastic Str 12Pf/16Pm	1
19	20810	(007000-) Strainer, Screen,Solution Tank	1
20	40678	(007000-) Clamp-Cable, 0.44D 0.62W Stl	2
21	20997	(007000-) Gasket, Cover	2
22	391451	(007549-) Label, Attention Fast Users	2

Fig. 38 - Recovery Tank Group

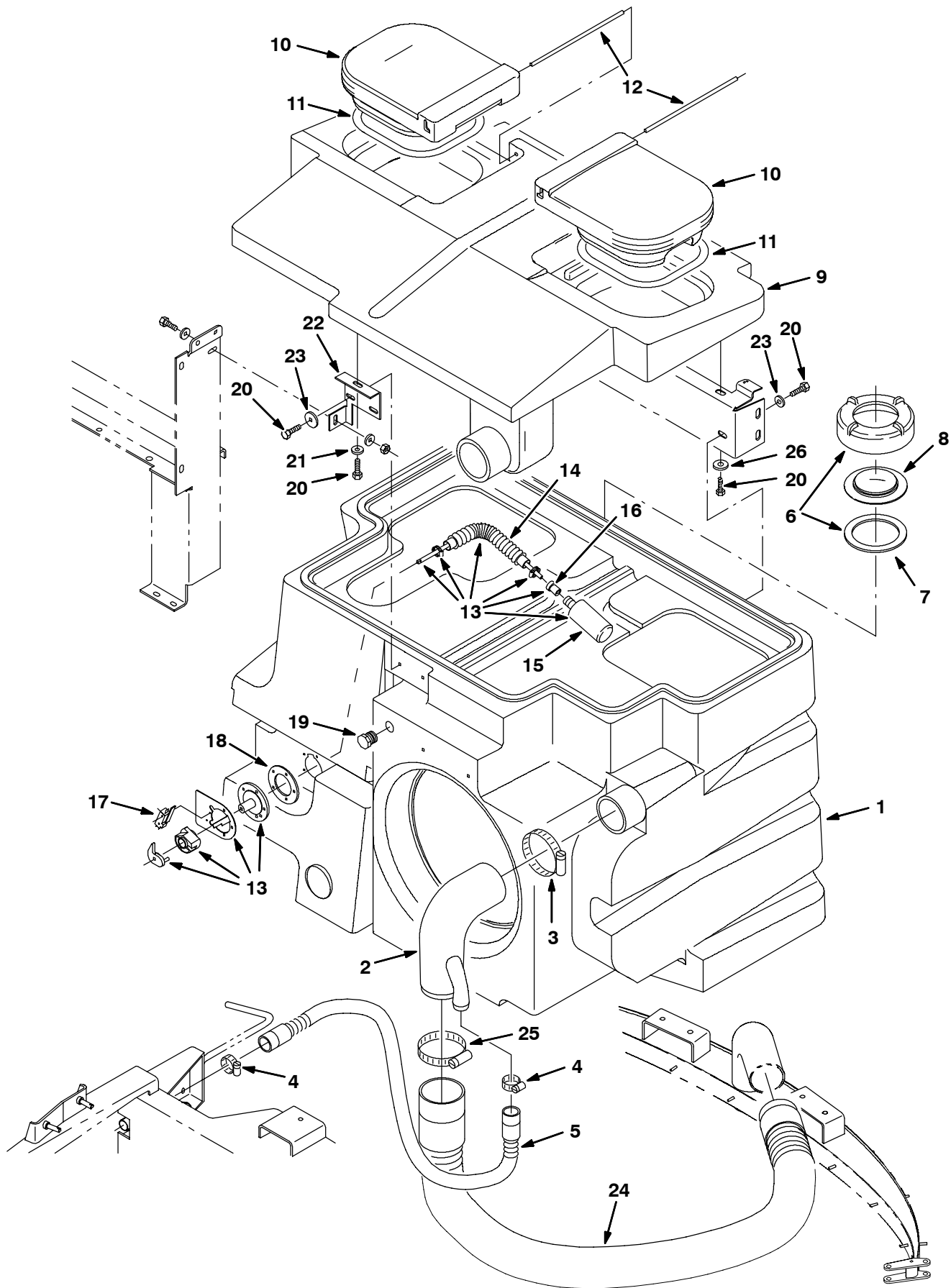


Fig. 38 - Recovery Tank Group

Ref.	Part No.	Serial Number	Description	Qty.
▽	1	20980	(007000-) Replm Kit, Recovery Tnk	1
▲	2	20943	(007000-) Fitting, Special, Y, Tank	1
▲	3	20983	(007000-) Clamp-Wormdrive	1
	4	11399	(007000-) Clamp-Wormdrive, 0.81- 1.50D	2
	5	71236	(007000-) Hose, 1.0 Dia Tray	1
▽	6	24358	(007000-) Cap Assy,Tank	1
▲	7	1031699	(007000-) Gasket, .19, 4.05id 5.29od [Buna]	1
	8	86636	(007000-) Cover Lid	1
	9	25818	(007000-) Demister Cover W/Label	1
	10	20921	(007000-) Cover, Recovery Tank	2
	11	20922	(007000-) Seal, Tube, Silicone	2
	12	20915	(007000-) Rod, Plastic	2
▽	13	20949	(007000-) Level Sensing Assy	1
▲	14	73145	(007000-) Bellows, .75 Id 10.3L	1
▲	15	50238	(007000-) Float Bottle	1
▲	16	50256	(007000-) Plug, Float	1
▲	17	1008142	(007000-) Switch, Snap Actn, 250vdc 25a Spdt	1
	18	86591	(007000-) Gasket	1
	19	75611	(007000-) Ftg-Plug Npt 12Pm Rd Hd Plstc.	1
	20	12273	(007000-) Scr-Hexssm 8X1.25 20 NyInloc	9
	21	1017218	(007000-) Washer, Flat, 0.321b 1.00d .12, Ss	1
	22	20937	(007000-) Bracket, Mtg, Tank	1
	23	13248	(007000-) Washer, .400B 1.12D .12Cr Znc	7
	24	71235	(007000-) Hose, 3.0 Dia Squeegee	1
	25	23498	(007000-) Clamp-Wormdrive, 2.63- 4.50D	1
	26	1014563	(007000-) Washer, Flat, 0.40b 1.12d .12, Ss	2

Fig. 39 - Solution and Recovery Tank Drain Group

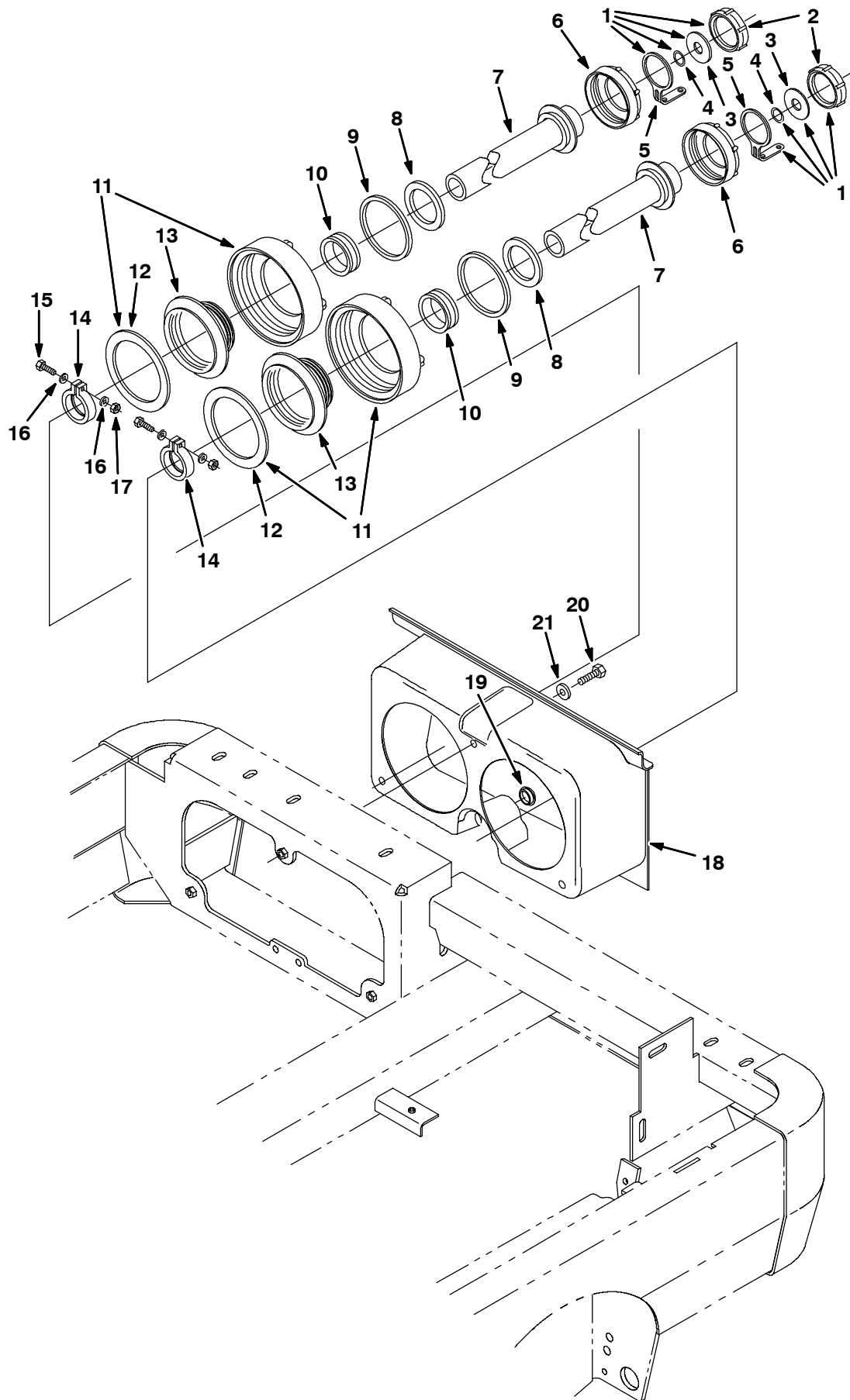


Fig. 39 - Solution and Recovery Tank Drain Group

	Ref.	Part No.	Serial Number	Description	Qty.
▽		223533	(007000-) Hose, Drain, Assy, 0.31id X 24.3l, Pvc	2
▲▽	1	32501	(007000-) Drain Kit, Cap	1
▲▲	2	32613	(007000-) Cap Drain	1
▲▲	3	32614	(007000-) Gasket Cap	1
▲▲	4	32669	(007000-) Ring Retain Ex, 0.75D	1
▲	5	32508	(007000-) Strap Cap Retainer	1
▲	6	14880	(007000-) Cap, Drain Hose	1
▲	7	24174	(007000-) Hose Assembly, Drain	1
▲	8	41451	(007000-) Gasket Lid	1
▲	9	79320	(007000-) Gasket, Drain Cap	1
▲	10	41421	(007000-) Seal, Hose	1
▲▽	11	24358	(007000-) Cap Assy, Tank, Drain	1
▲▲	12	1031699	(007000-) Gasket, .19, 4.05id 5.29od [Buna]	1
▲	13	14864	(007000-) Cover, Insert	1
▲	14	41454	(007000-) Clamp, Hose	1
▲	15	12316	(007000-) Scr Hexssm 5X0.8 25	1
▲	16	01683	(007000-) Washer Flt 10 Ss	2
▲	17	09739	(007000-) Nut-Hxlocnyln M 5X0.8 Reg 18-8	1
	18	20938	(007000-) Cover, Cleanout	1
	19	55035	(007000-) Button, Plug	1
	20	12273	(007000-) Scr-Hexssm 8X1.25 20 Nylnloc	3
	21	01685	(007000-) Washer Flt .31 Ss	3

Fig. 40 - Solution and Recovery Tank Gaskets Group

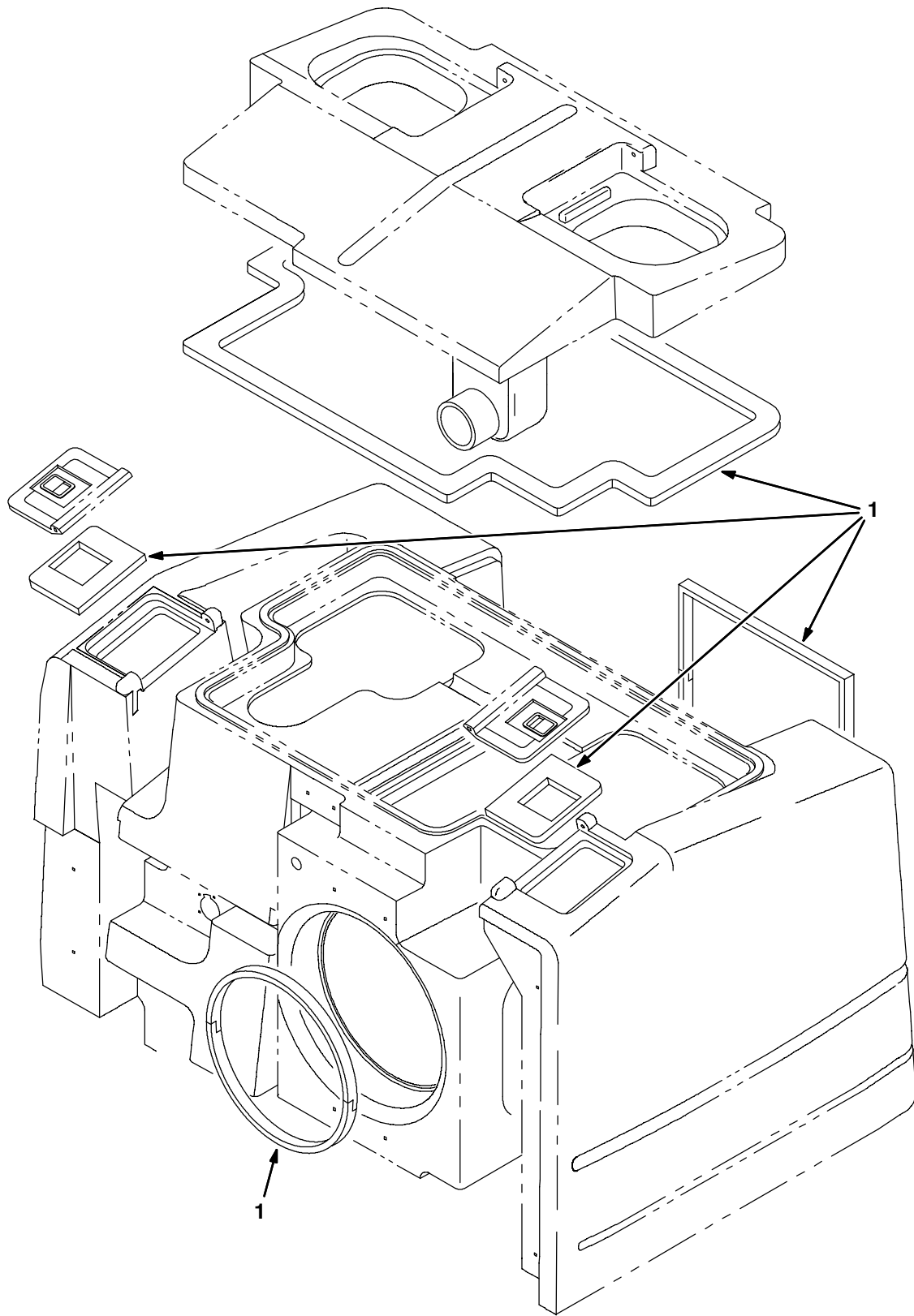
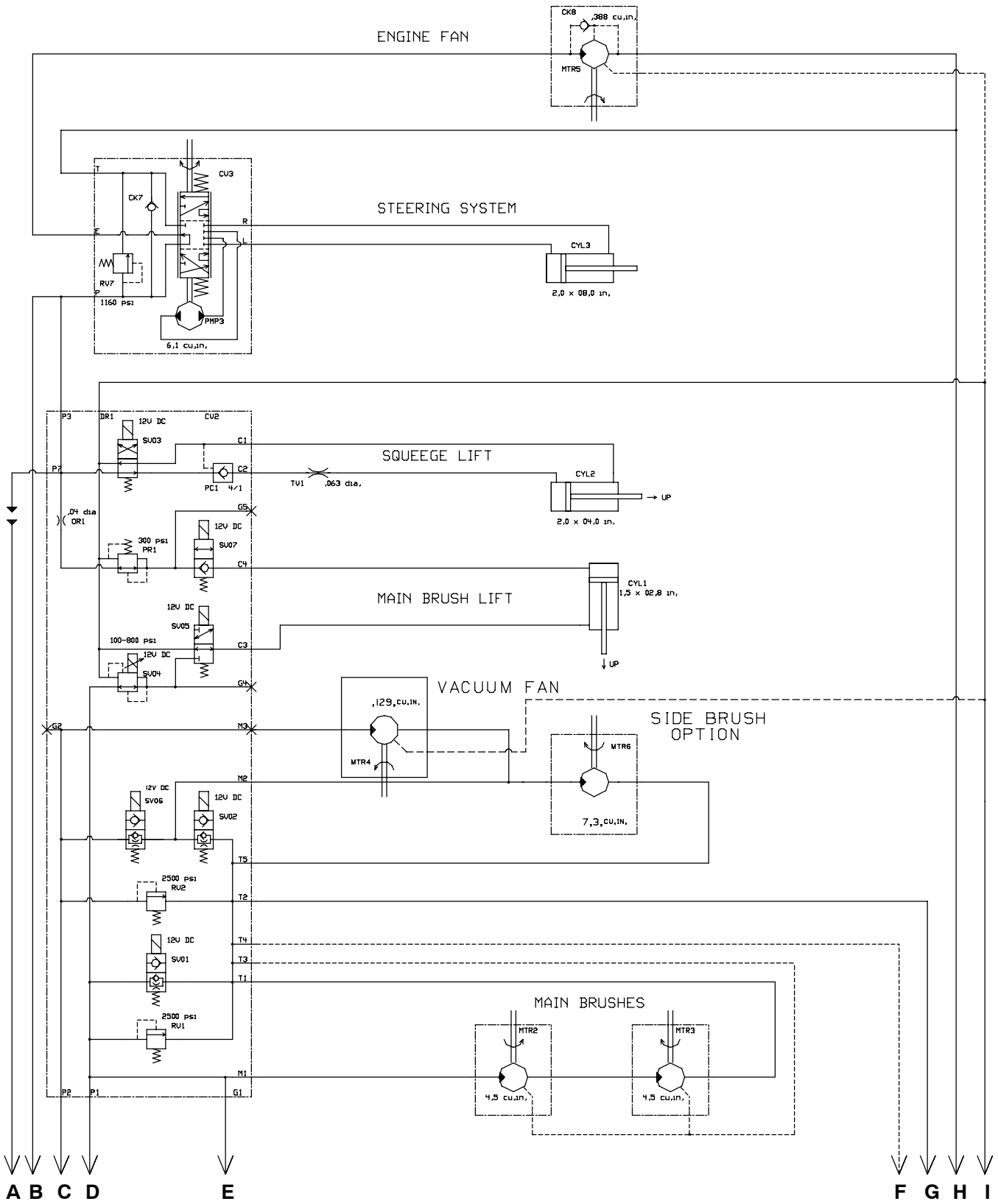


Fig. 40 - Solution and Recovery Tank Gaskets Group

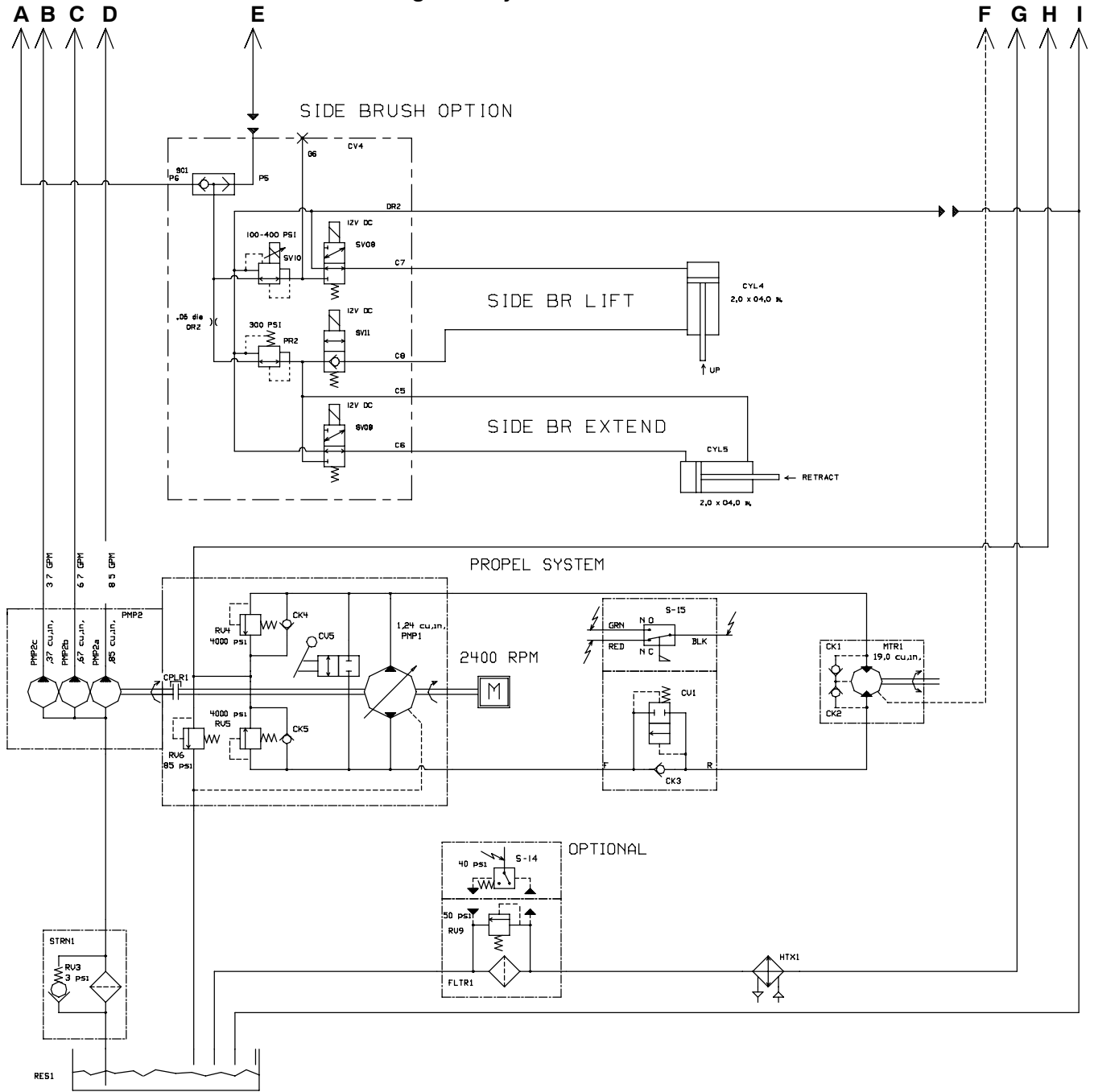
Ref.	Part No.	Serial Number	Description	Qty.
1	20945	(007000-) Gasket Set, Tank	1

Fig. 41 - Hydraulic Schematic



71700, 10794 - All

Fig. 41 - Hydraulic Schematic



71700, 10794 - All

Fig. 42 - Hydraulic Hose Group

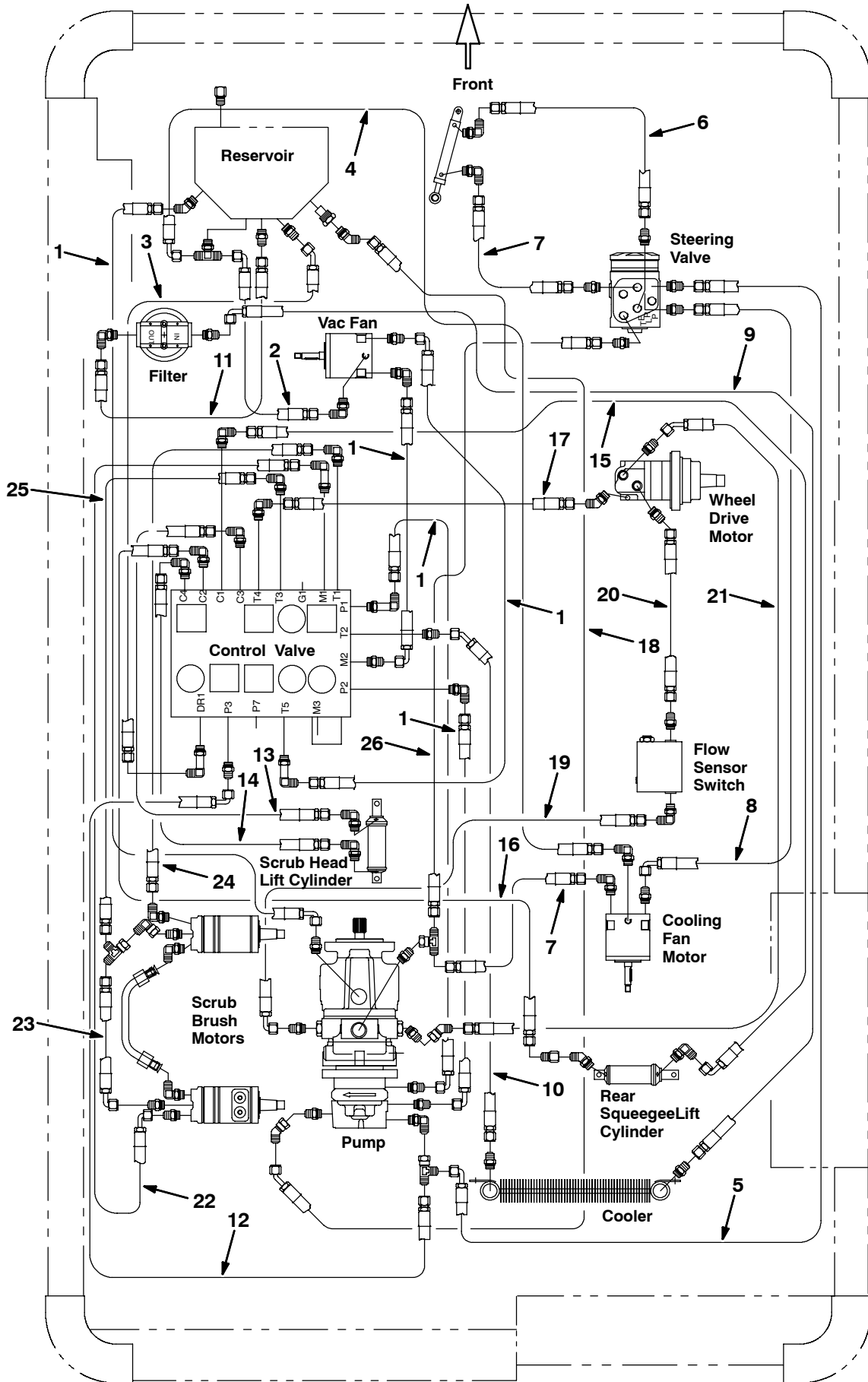


Fig. 42 - Hydraulic Hose Group

Ref.	Part No.	Serial Number	Description	Qty.
1	34355	(007000-) Hose-Hyd Med08 Jf/J9	5
2	57964	(007000-) Hose-Hyd Med04 Jf/J9	1
3	59567	(007000-) Hose-Hyd Med06	1
4	34379	(007000-) Hose-Hyd Med04 Jf/J9	1
5	71733	(007000-) Hose-Hyd Med06	1
6	62100	(007000-) Hose-Hyd Med06 Jf/Jf	1
7	49943	(007000-) Hose-Hyd Med06 Jf/Jf	2
8	59561	(007000-) Hose-Hyd	1
9	31610	(007000-) Hose-Hyd Med12 Jf/J9	1
10	71737	(007000-) Hose-Hyd Med12	1
11	71736	(007000-) Hose-Hyd Med12	1
12	71735	(007000-) Hose-Hyd Med06	1
13	55700	(007000-) Hose-Hyd Med04 Jf/Jf	1
14	55691	(007000-) Hose-Hyd Med04 Jf/Jf	1
15	82817	(007000-) Hose-Hyd Med04 Jf/J9	1
16	71754	(007000-) Hose-Hyd	1
17	77306	(007000-) Hose-Hyd Med04	1
18	71738	(007000-) Hose-Hyd Suc20	1
19	71744	(007000-) Hose-Hyd Ar10	1
20	71742	(007000-) Hose-Hyd Ar10	1
21	71743	(007000-) Hose-Hyd	1
22	71741	(007000-) Hose-Hyd Ar 08	1
23	71745	(007000-) Hose-Hyd	1
24	71740	(007000-) Hose-Hyd Ar08	1
25	71739	(007000-) Hose-Hyd Ar 04	1
26	56555	(007000-) Hose-Hyd Med06 Jf/Jf	1

Fig. 43 - Hydraulic Pumps Group

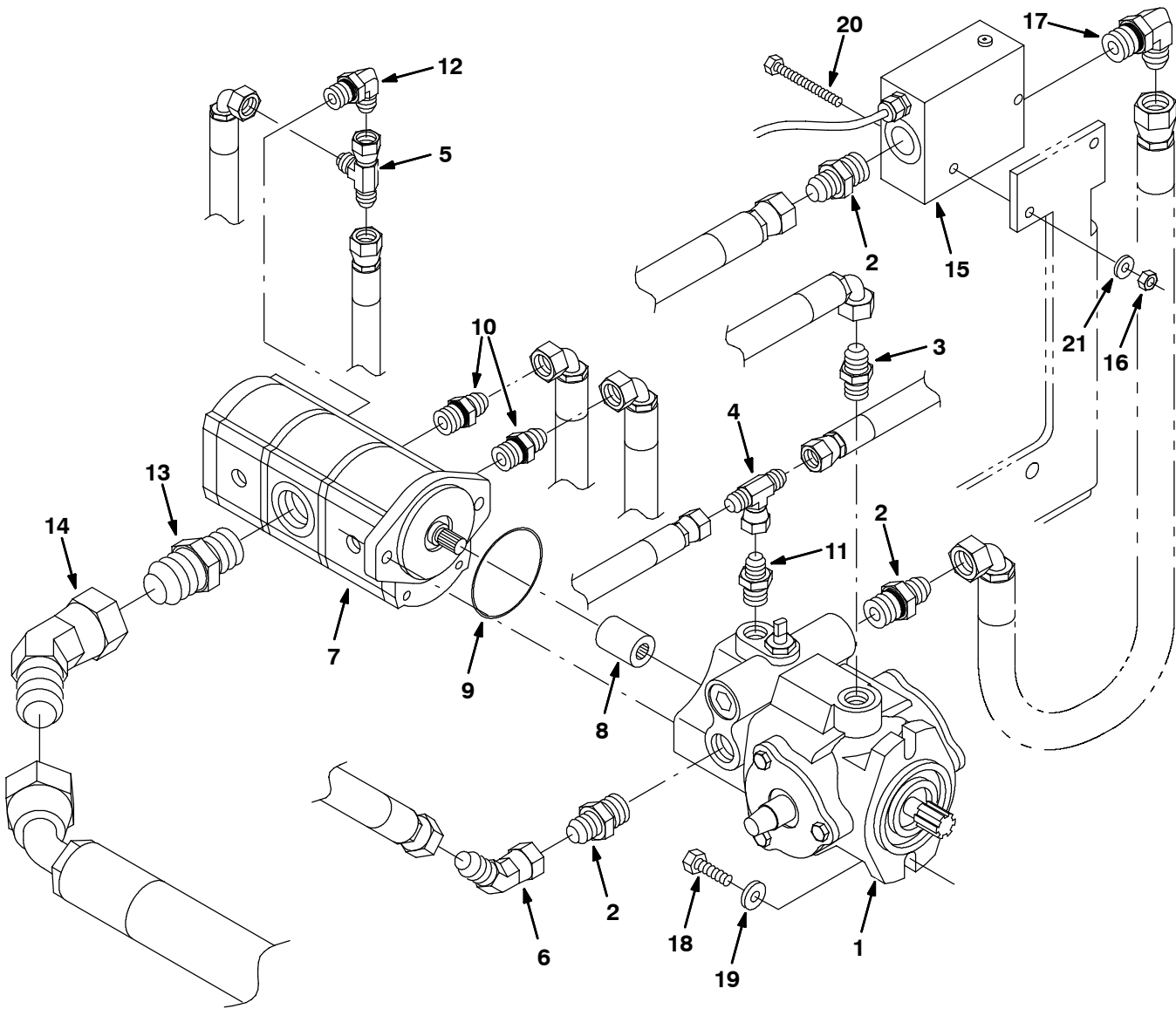


Fig. 43 - Hydraulic Pumps Group

Ref.	Part No.	Serial Number	Description	Qty.
1	373453	(007000-) Pump, Hyd, Piston [V] 1.24 [R] 4000 (See Breakdowns)	1
2	42223	(007000-) Ftg-Hyd Str Jm10/Om12	3
3	44869	(007000-) Ftg-Hyd Str Jm08/Om08	1
4	35586	(007000-) Ftg-Hyd Tee Jm06Jfjm	1
5	42215	(007000-) Ftg-Hyd Tee Jm06Jmjf	1
6	54017	(007000-) Ftg-Hyd E45 Jm10/Jf10	1
7	71716	(007000-) Pump, Hyd (See Breakdowns)	1
8	71721	(007000-) Coupler, Hyd Pump	1
9	65145-1	(007000-) O-Ring Gland	1
10	56692	(007000-) Ftg-Hyd Str Jm08/Om10	2
11	52402	(007000-) Ftg-Hyd Str Jm06/Om08	1
12	47512	(007000-) Ftg-Hyd E90 Jm06/Om08	1
13	67811	(007000-) Ftg-Hyd Str Jm20/Om16	1
14	19544	(007000-) Ftg-Hyd E45	1
15	73430	(007000-) Switch, Hyd Flow Sensor (See Breakdowns)	1
16	08709	(007000-) Nut, Hex, Lock, M 8 X 1.25 NI	1
17	53076	(007000-) Ftg-Hyd E90 Jm10/Om12	1
18	21198	(007000-) Screw, Hex, .38-16 X 1.25, 5	2
19	32485	(007000-) Washer, Flat, .38 Sae	2
20	39279	(007000-) Screw, Hex, M 8 X 1.25 X 70, 8.8	2
21	39349	(007000-) Washer, Flat, 0.31 Sae	2

Fig. 44 - Hydraulic Valve Group

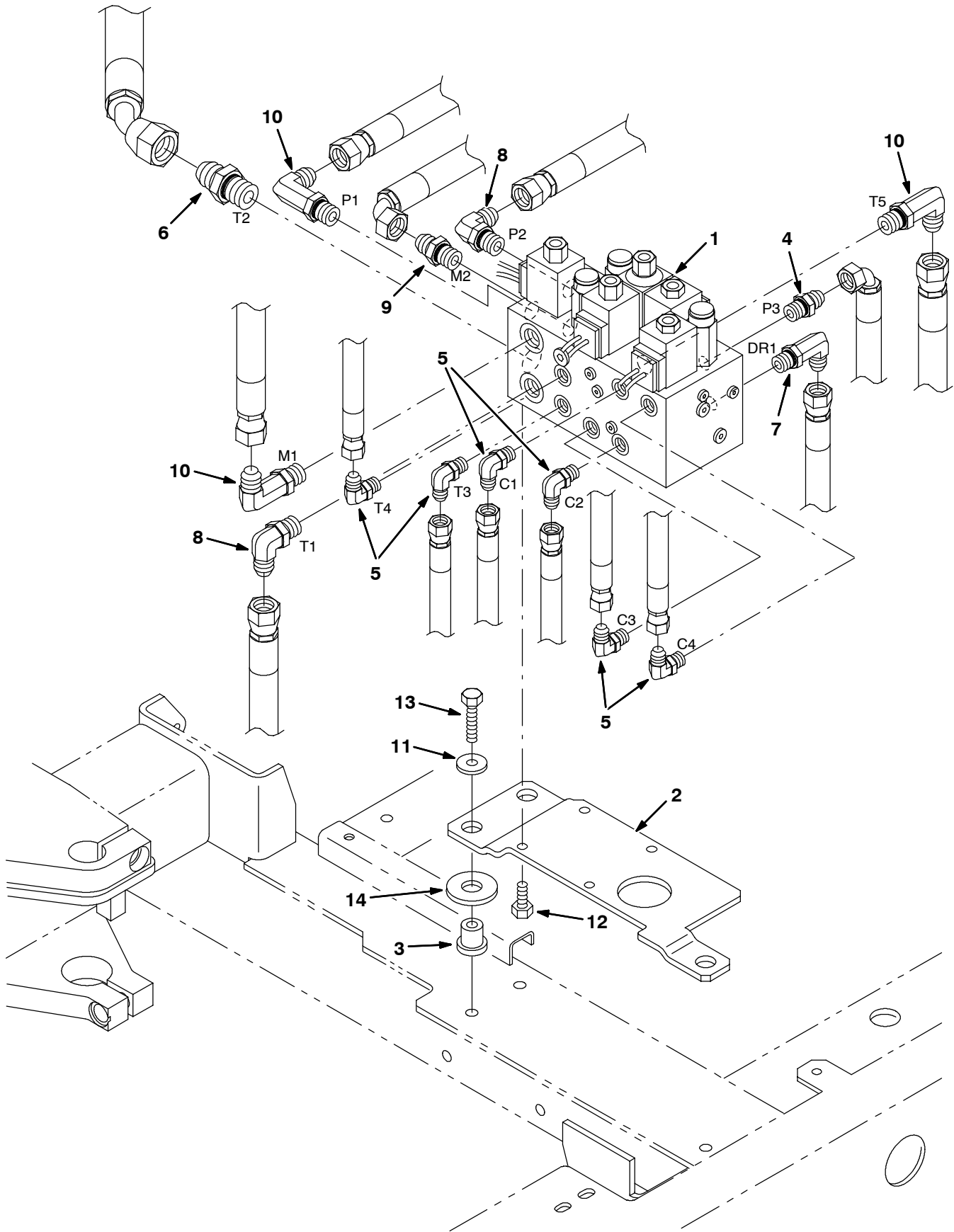


Fig. 44 - Hydraulic Valve Group

Ref.	Part No.	Serial Number	Description	Qty.
1	71705	(007000-) Valve, Hyd Cntrl Sol (See Breakdowns)	1
1	71761	(007000-) Valve Assy, Nylon Brush (See Breakdowns)	1
2	1011050	(007000-) Bracket, Mtg, Valve	1
3	54274	(007000-) Isolator-Vibration,125Lb.Ratng	3
4	56690	(007000-) Ftg-Hyd Str Jm06/Om06	1
5	77097	(007000-) Ftg-Hyd E90 Jm04/Om04	6
6	42260	(007000-) Ftg-Hyd Str Jm12/Om12	1
7	71727	(007000-) Fitting-Hyd E90	1
8	44868	(007000-) Ftg-Hyd E90 Jm08/Om08	2
9	44869	(007000-) Ftg-Hyd Str Jm08/Om08	1
10	69173	(007000-) Ftg-Hyd E90 Jm08/Om08	3
11	13248	(007000-) Washer .400B 1.12D .12Cr Znc	3
12	16391	(007000-) Channel	4
13	41342	(007000-) Screw, Hex, M8 X 1.25 X 40, 8.8	3
14	39350	(007000-) Washer, Flat, 0.75 Sae	3

Note: Scrub Brushes Must Be Matched With Proper Hydraulic Cartridge.

Fig. 45 - Hydraulic Reservoir Group

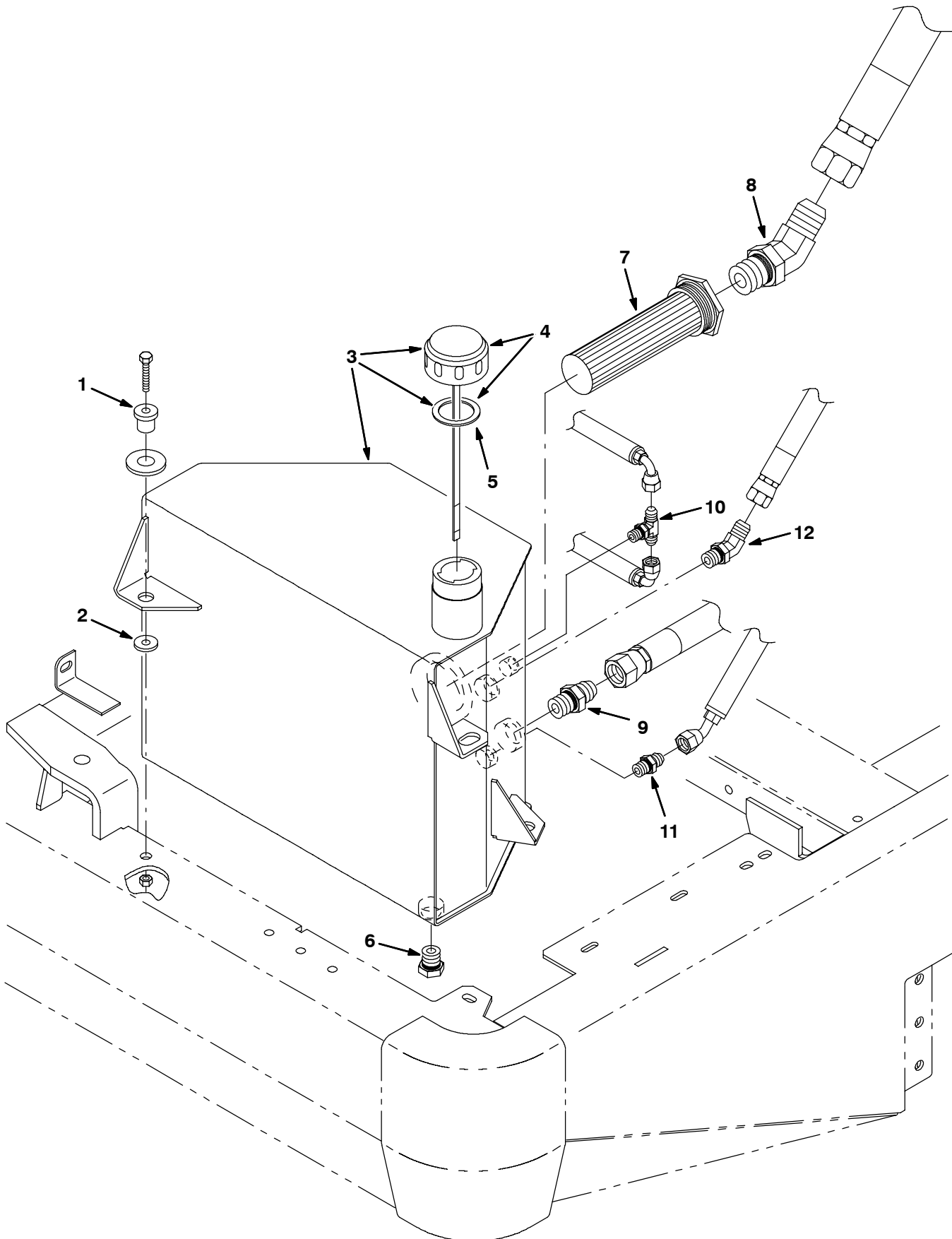


Fig. 45 - Hydraulic Reservoir Group

Ref.	Part No.	Serial Number	Description	Qty.	
1	54274	(007000-) Isolator-Vibration,125Lb.Ratng	3	
2	13248	(007000-) Washer .400B 1.12D .12Cr Znc	3	
▽	3	71702	(007000-) Reservoir, Hyd 10.0Gal	1
▲▽	4	71728	(007000-) Cap, Hyd, Breather 40Mic 7.0Ds	1
▲▲	5	70006	(007000-) Gasket, Hyd Cap	1
6	40362	(007000-) Ftg-Hyd Plg Om10	1	
7	31613	(007000-) Strainer-Hyd Suction 25-100-03	1	
8	71726	(007000-) Fitting-Hyd E45	1	
9	42260	(007000-) Ftg-Hyd Str Jm12/Om12	1	
10	31599	(007000-) Ftg-Hyd Tee Jm04Omjm	1	
11	56690	(007000-) Ftg-Hyd Str Jm06/Om06	1	
12	42226	(007000-) Ftg-E45 Jm08/Om08	1	

Fig. 46 - Hydraulic Filter and Cooler Group

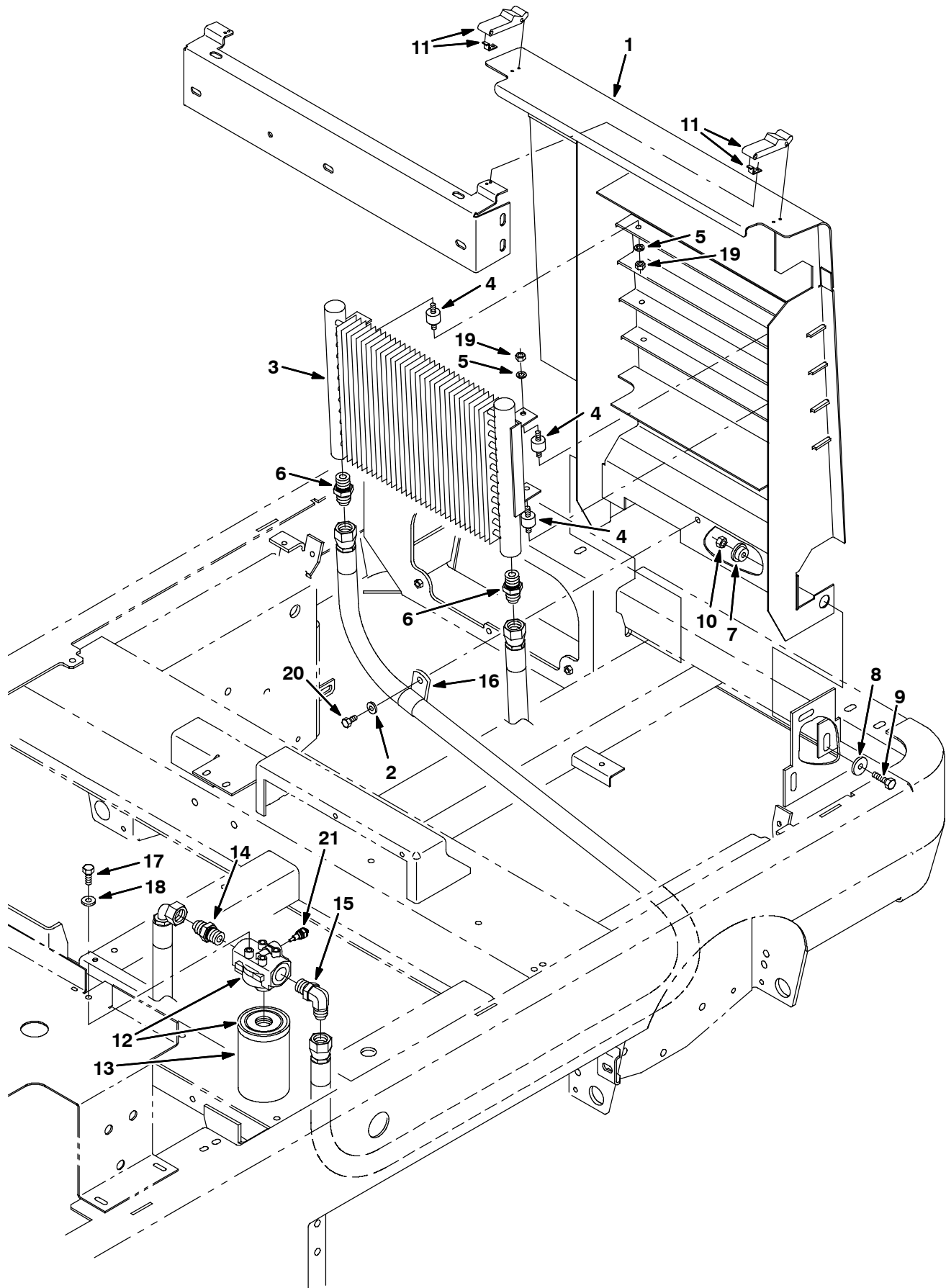


Fig. 46 - Hydraulic Filter and Cooler Group

Ref.	Part No.	Serial Number	Description	Qty.	
1	71911	(007000-) Grill Wldt	1	
2	01685	(007000-) Washer, Flat, 0.31 Ss	1	
3	20862	(007000-) Cooler, Hyd	1	
4	51322	(007000-) Isolator-Vibration .31-18	4	
5	43952	(007000-) Washer-Loc Int .31 Ss	8	
6	42260	(007000-) Ftg-Hyd Str Jm12/Om12	2	
7	369845	(007000-) Pivot, Flanged	2	
8	36996	(007000-) Washer	2	
9	77347	(007000-) Scr Hexssm 10X1.5 35	2	
10	08714	(007000-) Nut-Hxlocnyln M 10X1.5 Reg Ss	2	
11	49800	(007000-) Latch, Elastic	2	
▽	12	10664	(007000-) Filter Assy, Spin-On	1
▲	13	65221	(007000-) Element, Filter	1
	14	42260	(007000-) Ftg-Hyd Str Jm12/Om12	1
	15	46481	(007000-) Ftg-Hyd E90 Jm12/Om12	1
	16	58366	(007000-) Clamp,Cable 1.25Dia 1.00W Neo	1
	17	21195	(007000-) Screw, Hex, .38-16 X 0.75, 5	2
	18	41187	(007000-) Washer, Belleville, .38	2
	19	19313	(007000-) Nut, Hex, Std, .31-18	8
	20	16735	(007000-) Screw, Hex, M 8 X 1.25 X 16, 8.8	1
	21	65222	(007000-) Send-unit, Fltr, Hyd (Option)	1

Fig. 47 - Electrical Schematic (007000-007548)

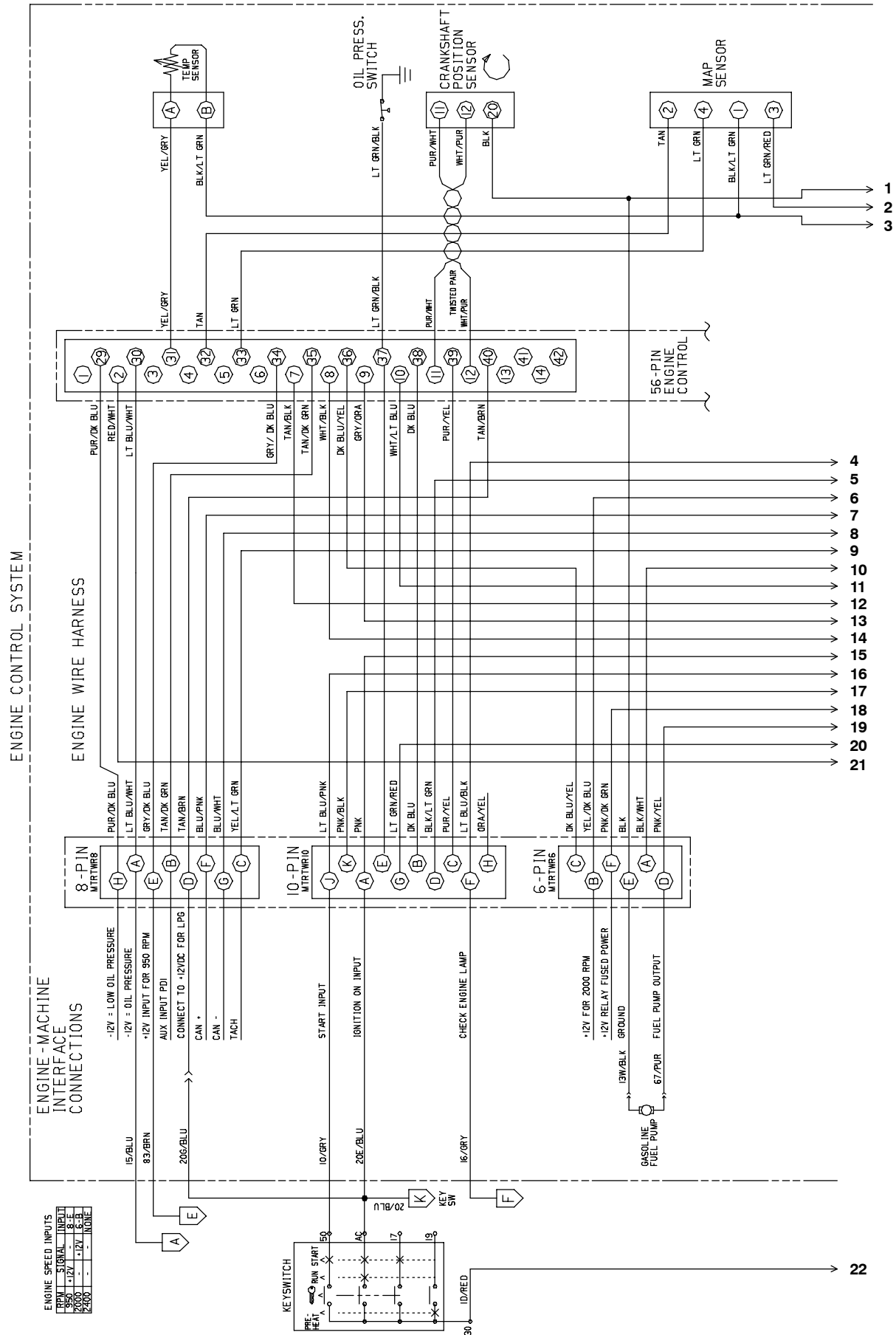


Fig. 47 - Electrical Schematic (007000-007548)

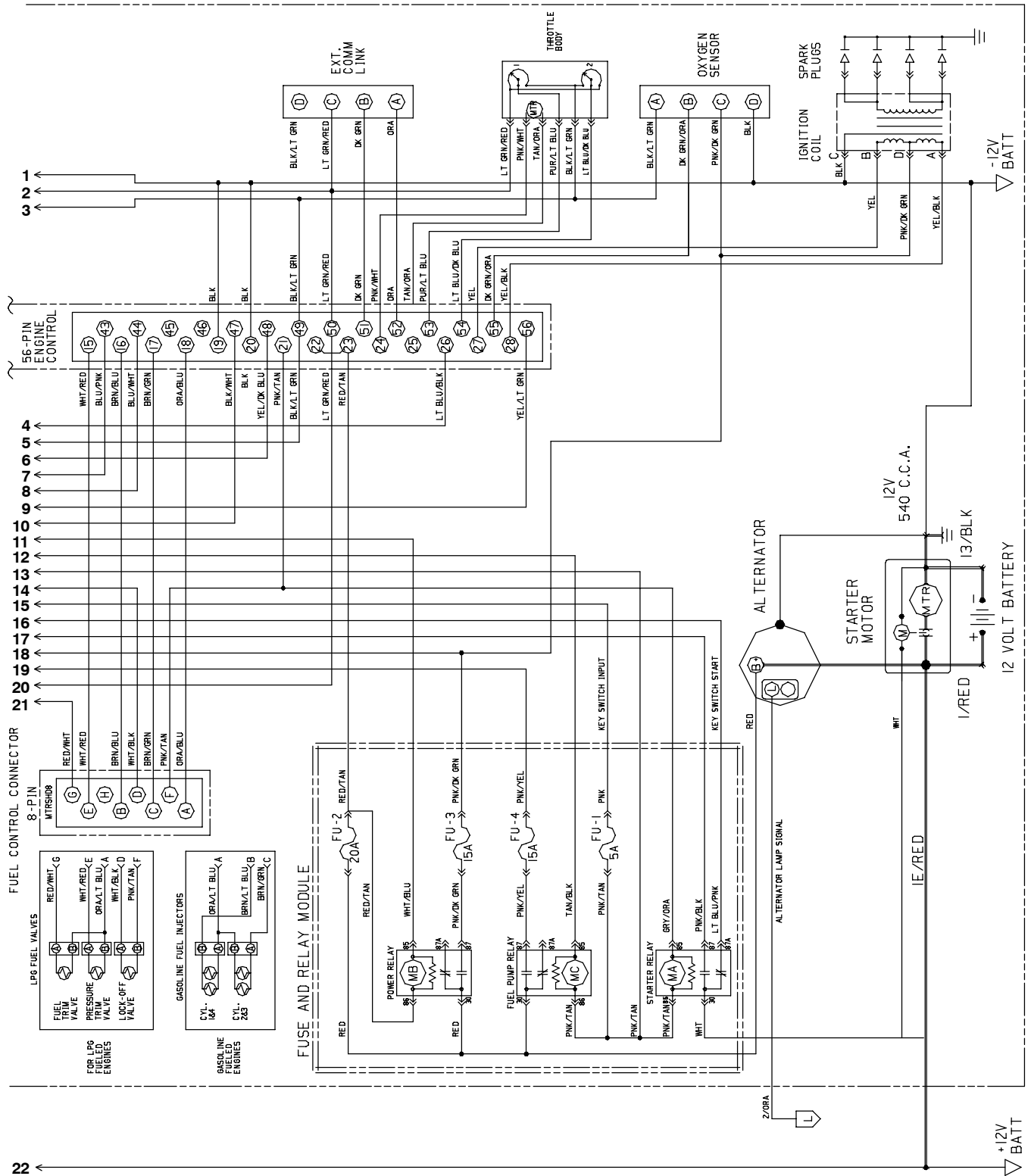


Fig. 47 - Electrical Schematic (007000-007548)

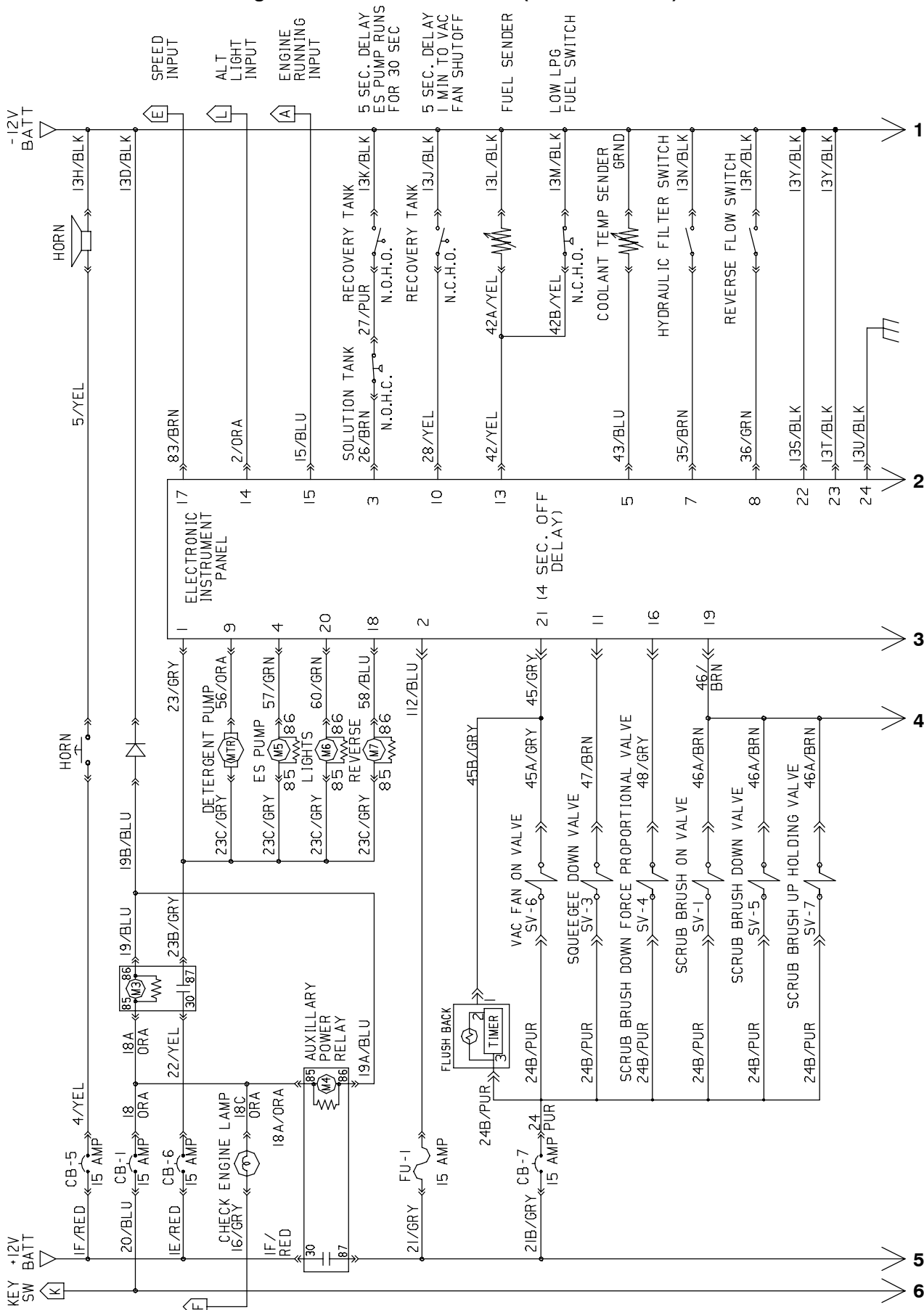
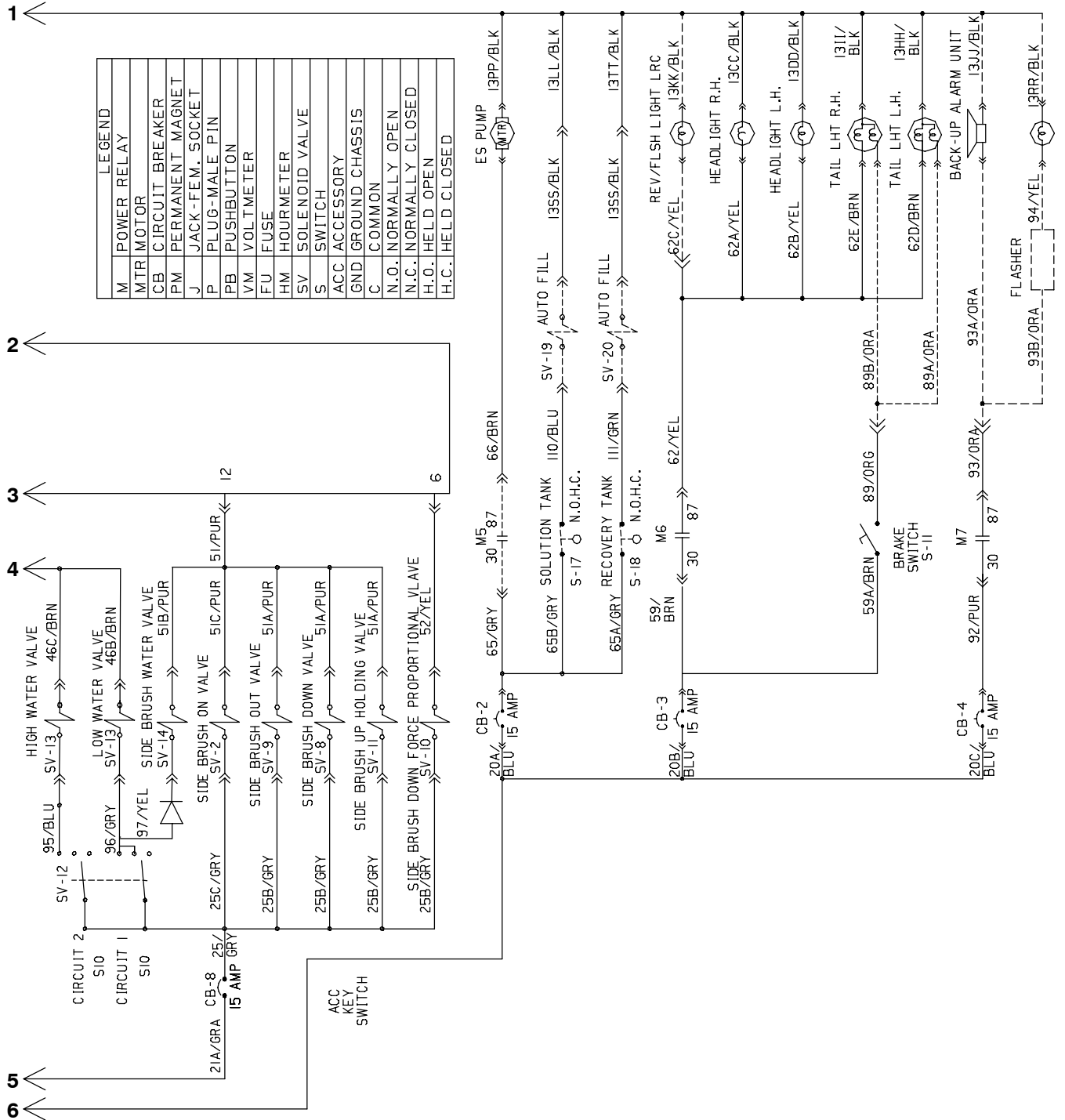


Fig. 47 - Electrical Schematic (007000-007548)



LEGEND	
M	POWER RELAY
MTR	MOTOR
CB	CIRCUIT BREAKER
PM	PERMANENT MAGNET
J	JACK-FEM. SOCKET
P	PLUG-MALE PIN
PB	PUSHBUTTON
VM	VOLTMETER
FU	FUSE
HM	HOURMETER
SV	SOLENOID VALVE
S	SWITCH
ACC	ACCESSORY
GND	GROUND CHASSIS
C	COMMON
N.O.	NORMALLY OPEN
N.C.	NORMALLY CLOSED
H.O.	HELD OPEN
H.C.	HELD CLOSED

398531, 354172 - GM, G, LP

Fig. 48 - Electrical Schematic (007549-008999)

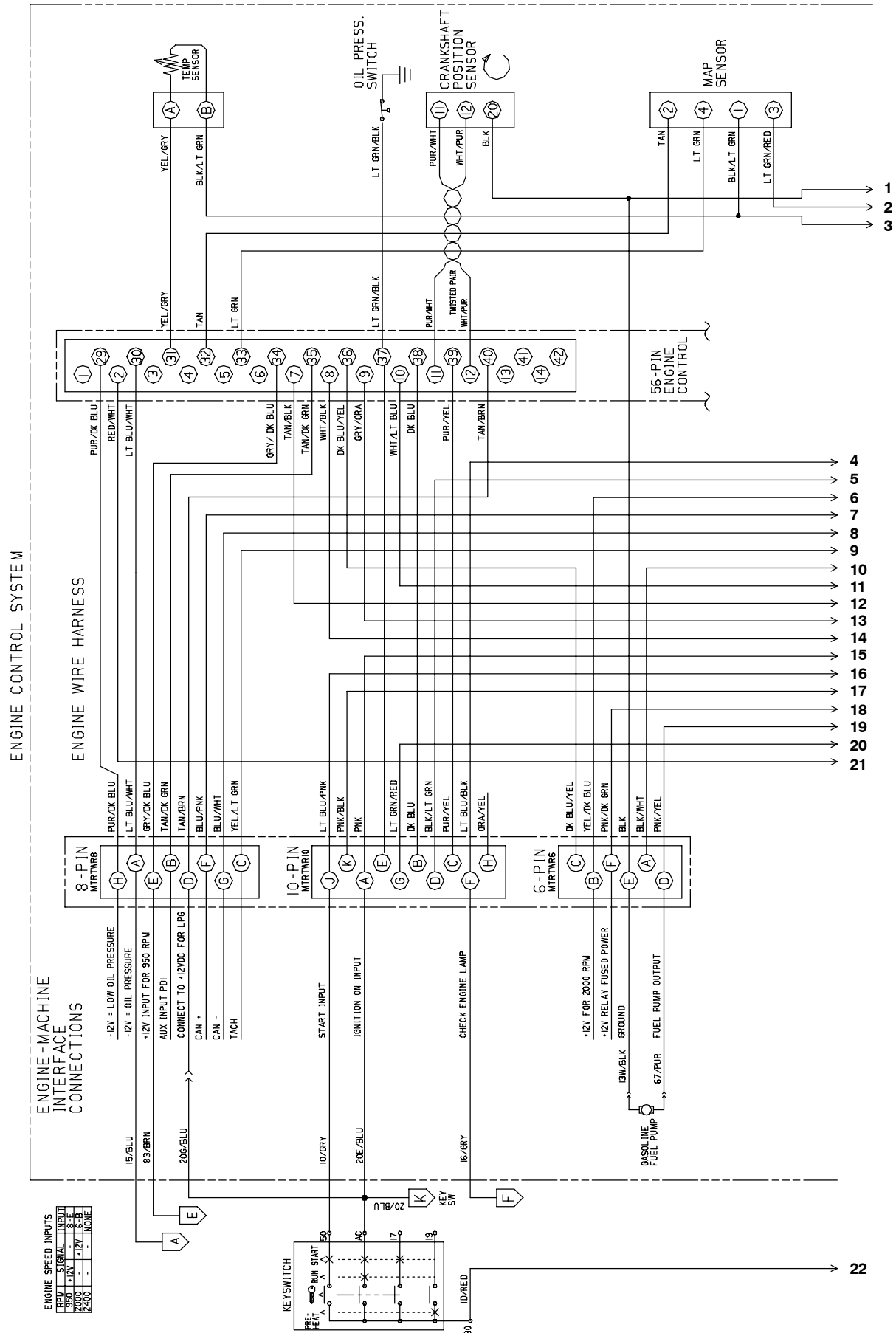


Fig. 48 - Electrical Schematic (007549-008999)

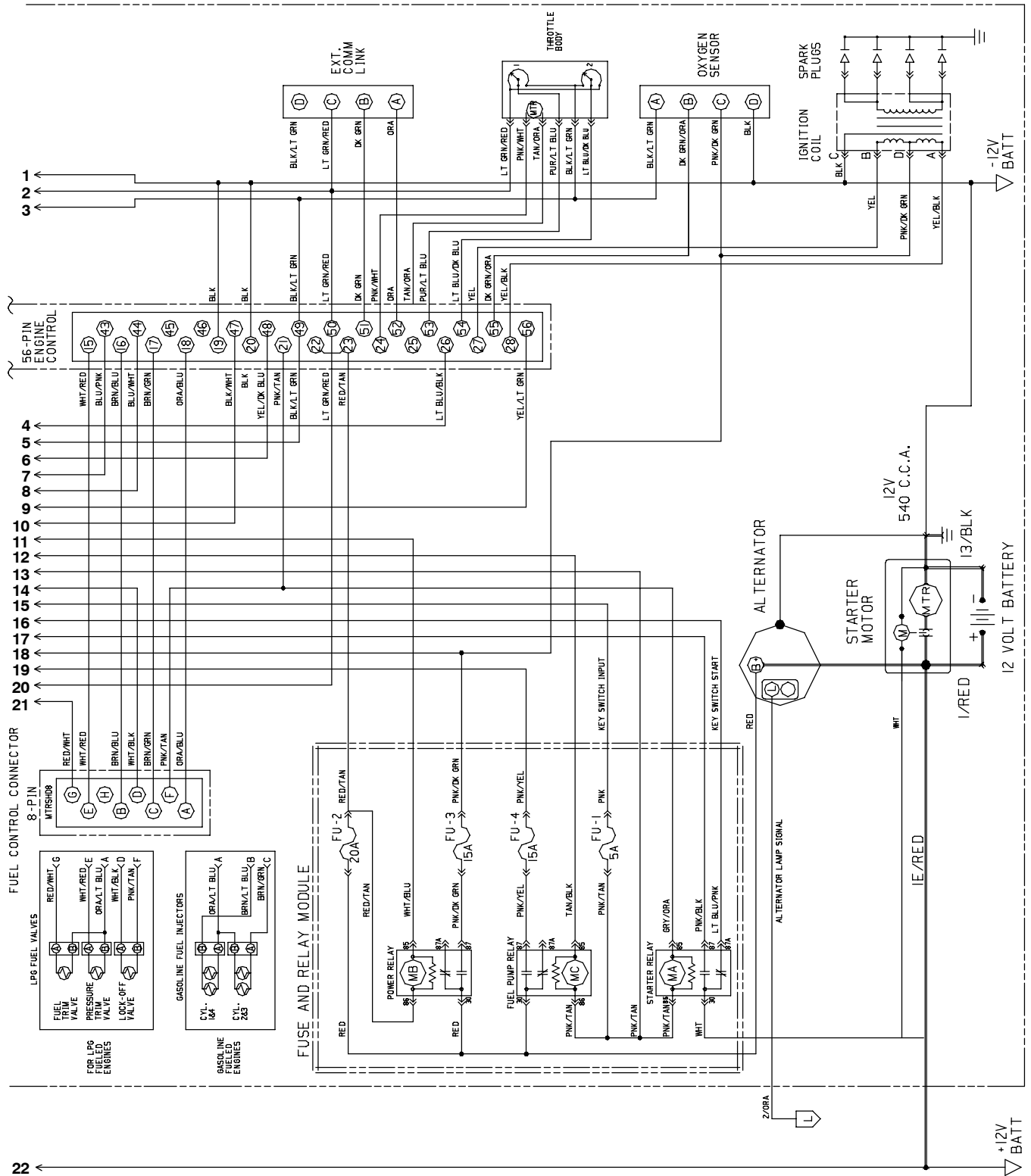


Fig. 48 - Electrical Schematic (007549-008999)

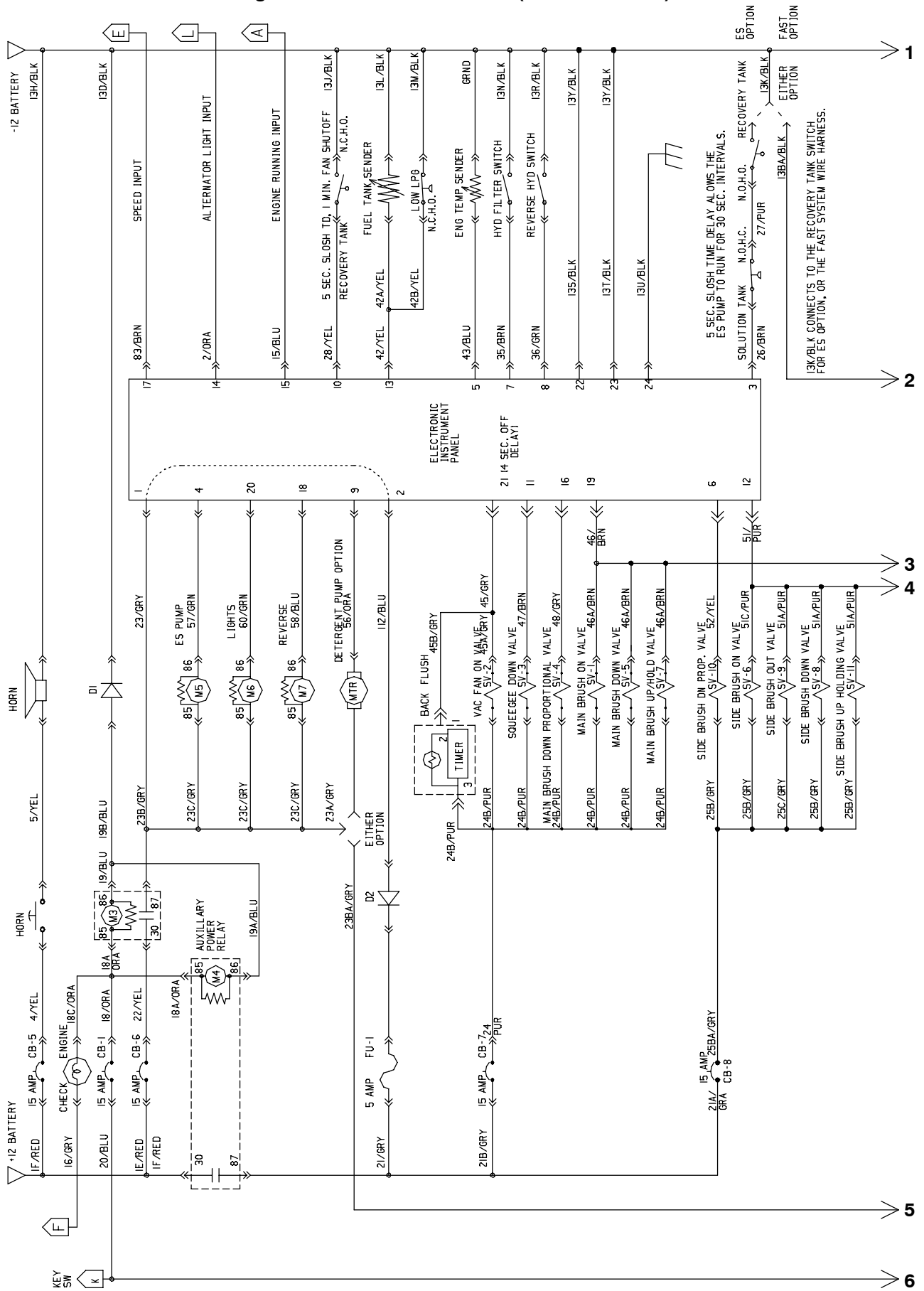


Fig. 48 - Electrical Schematic (007549-008999)

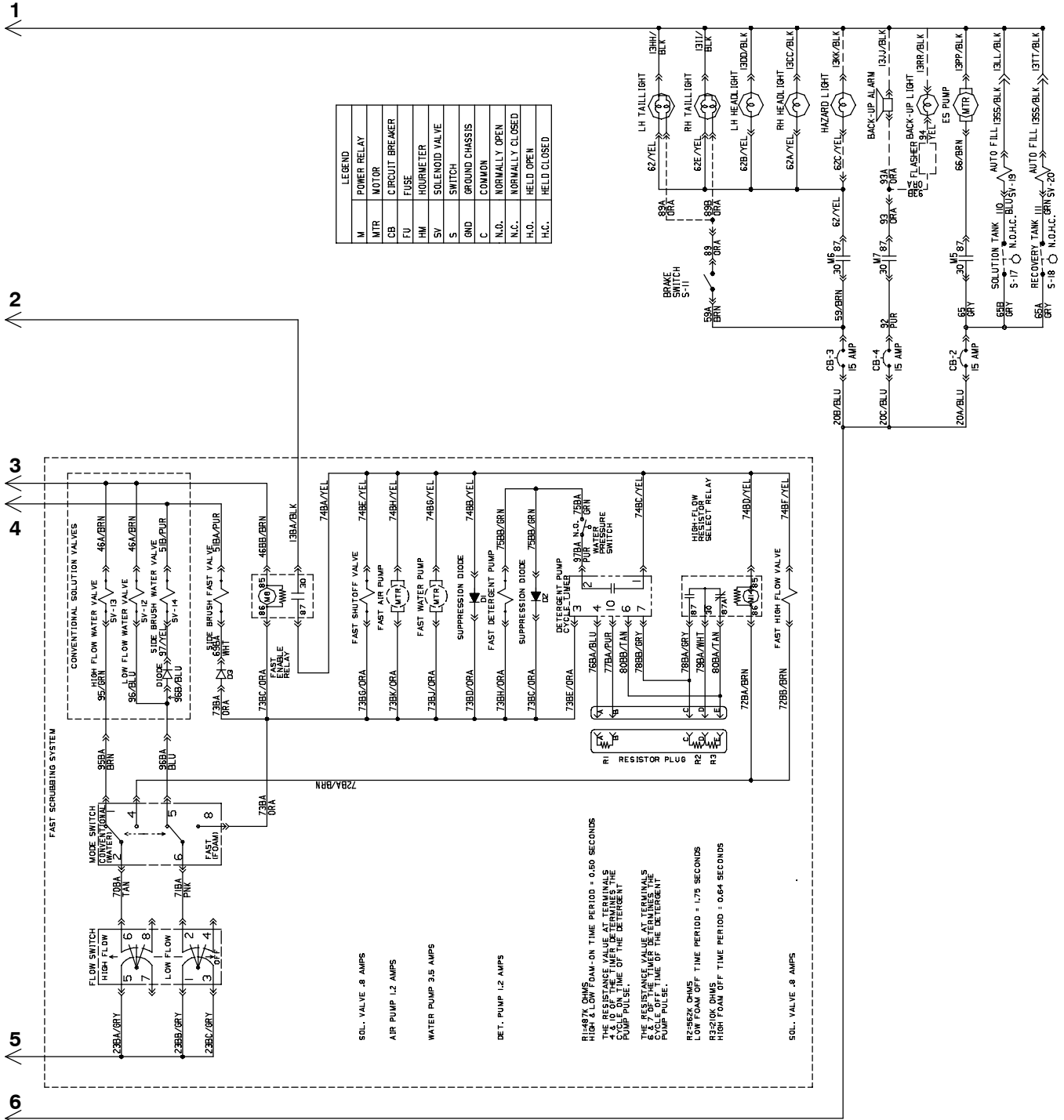


Fig. 48 - Electrical Schematic (007000-008999)

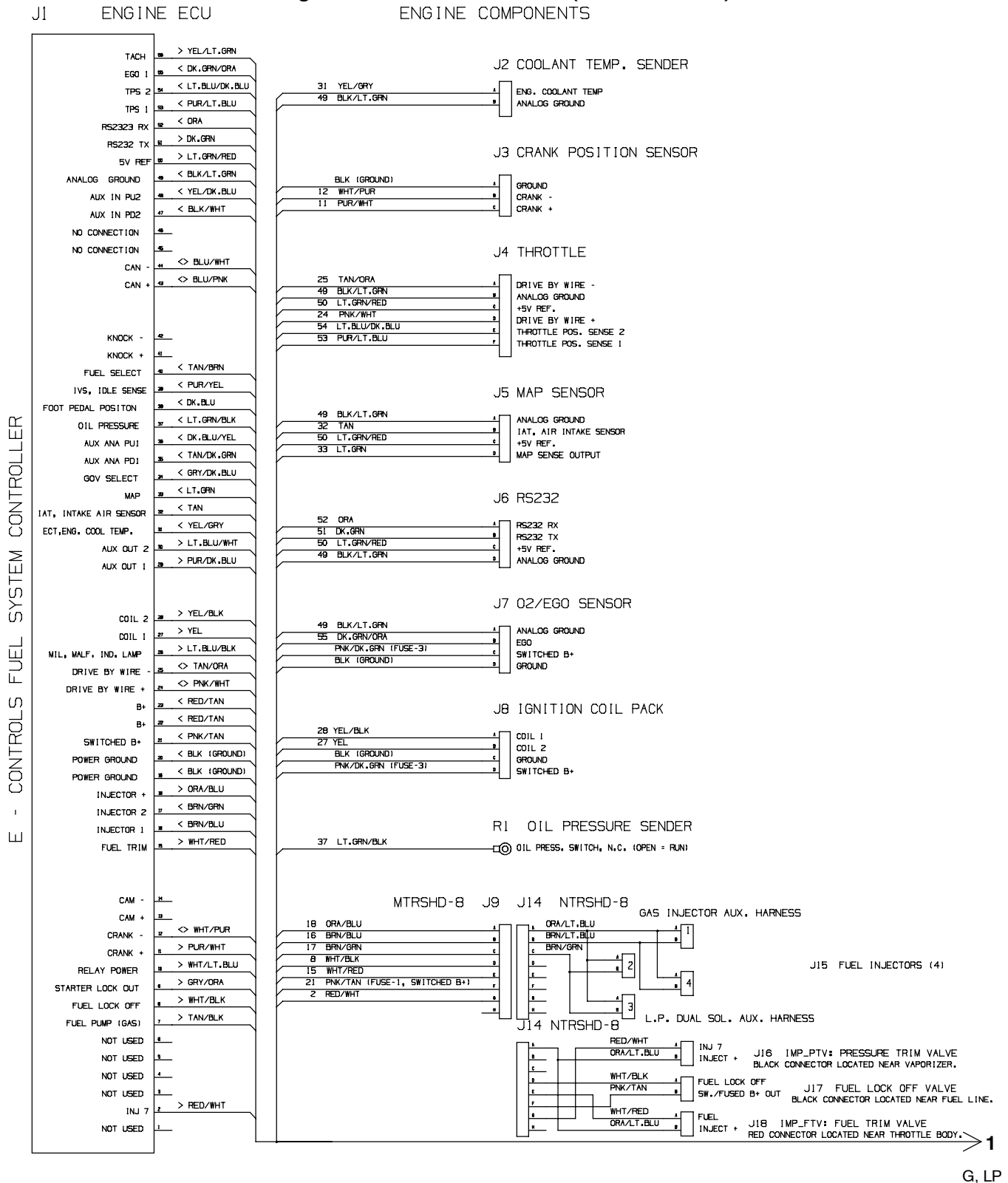
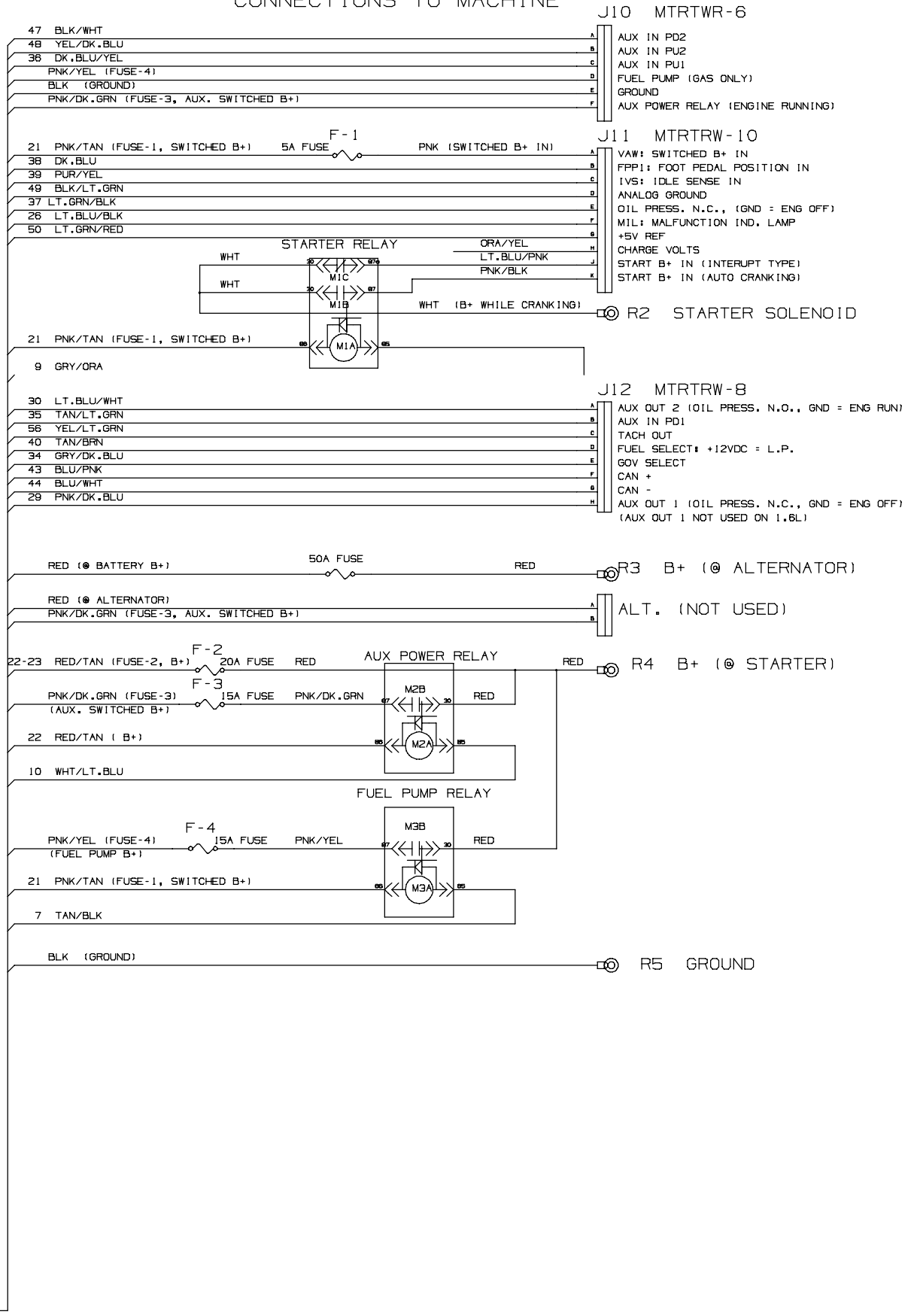


Fig. 48 - Electrical Schematic (007000-008999)

CONNECTIONS TO MACHINE



1 ←

Fig. 49 - Electrical Schematic (009000-)

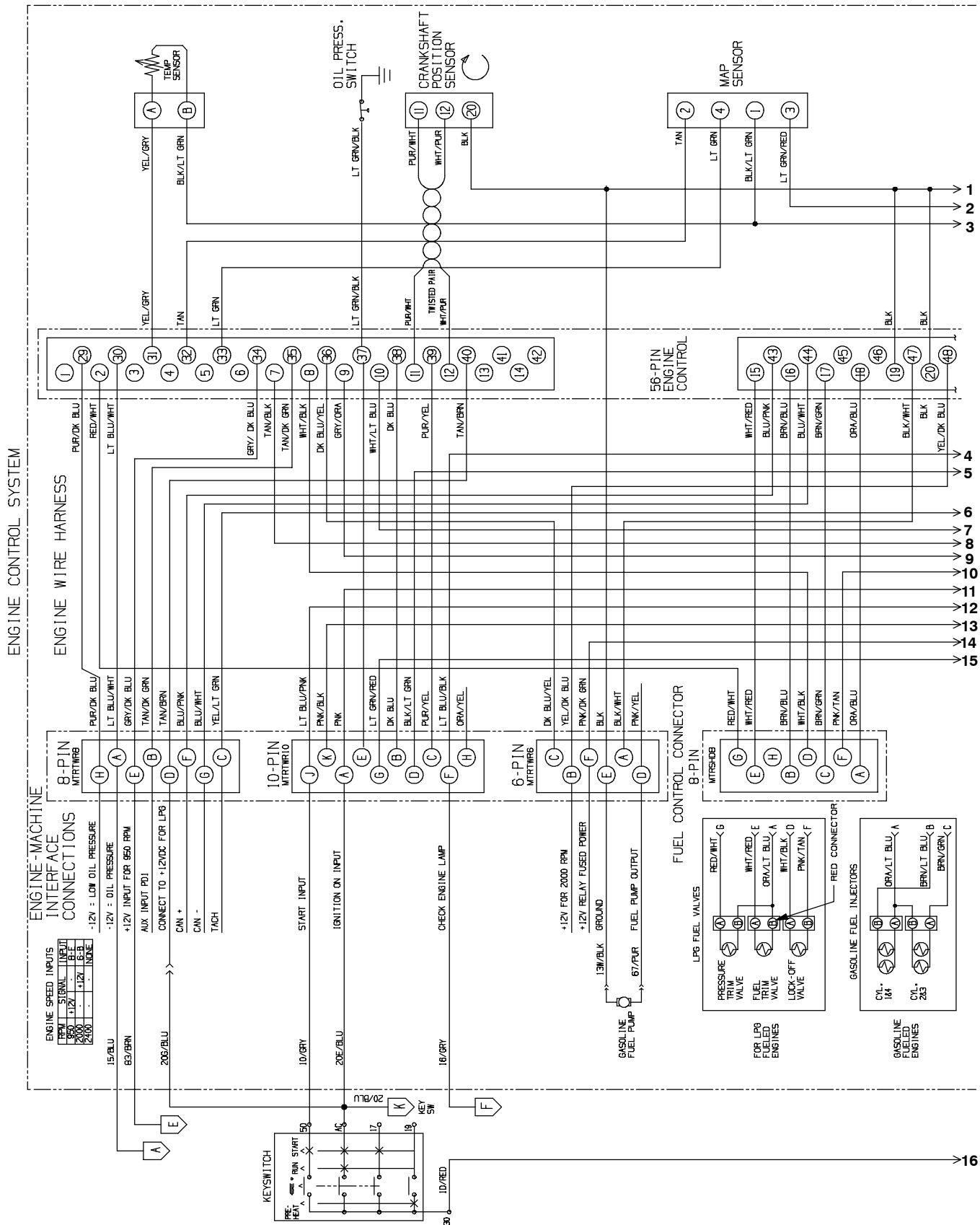


Fig. 49 - Electrical Schematic (009000-)

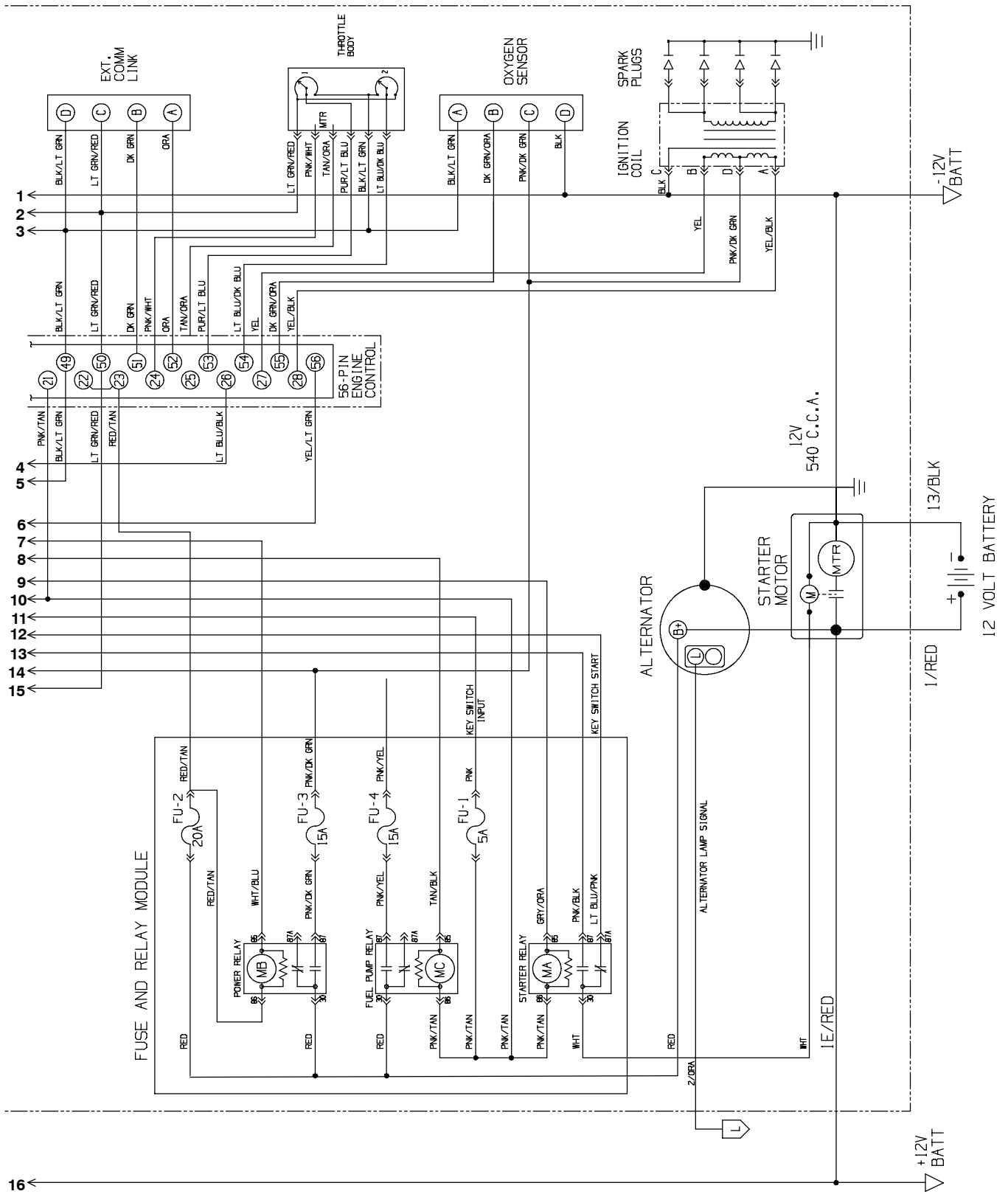
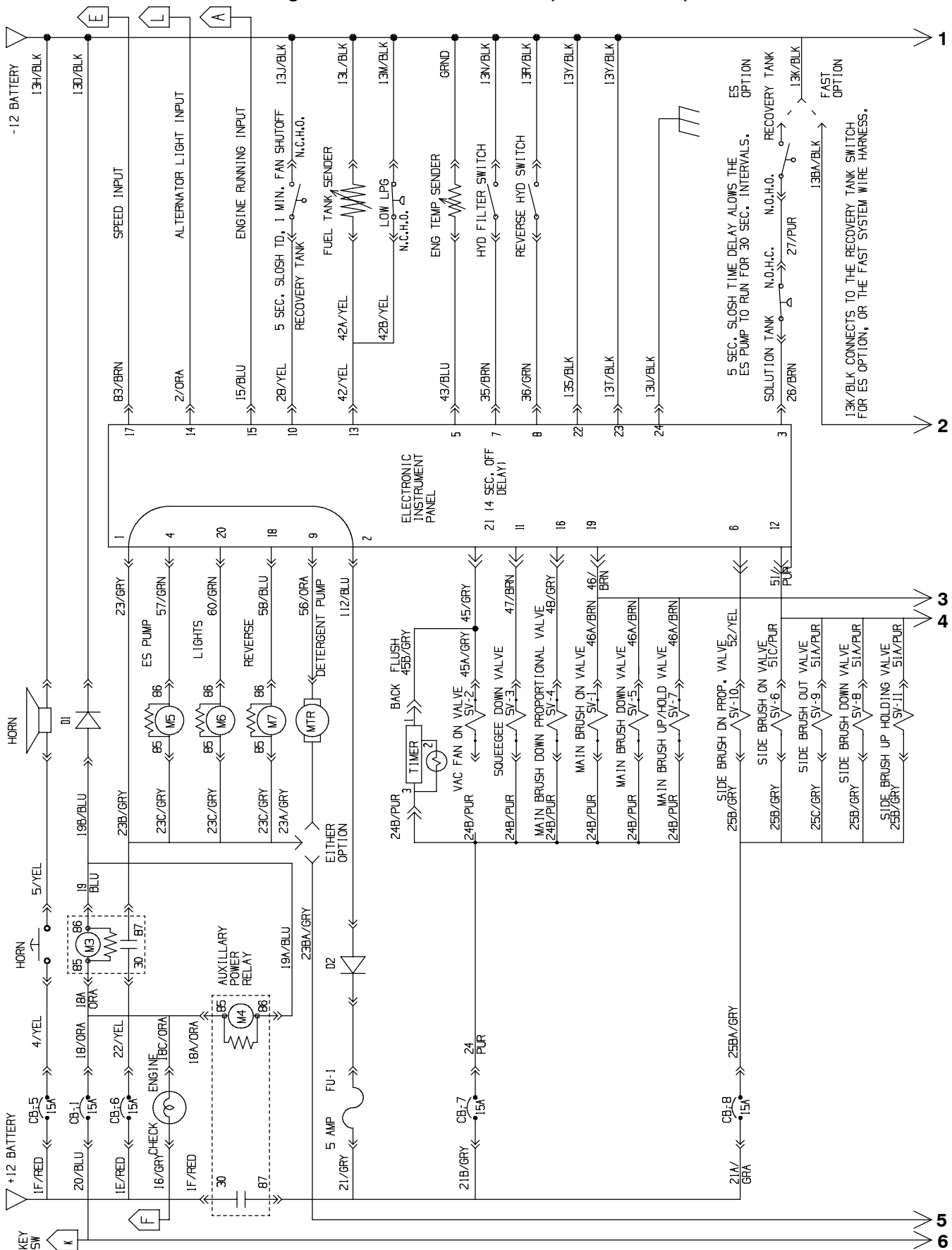


Fig. 49 - Electrical Schematic (009000-)



391948- 7400, G, LP

Fig. 49 - Electrical Schematic (009000-)

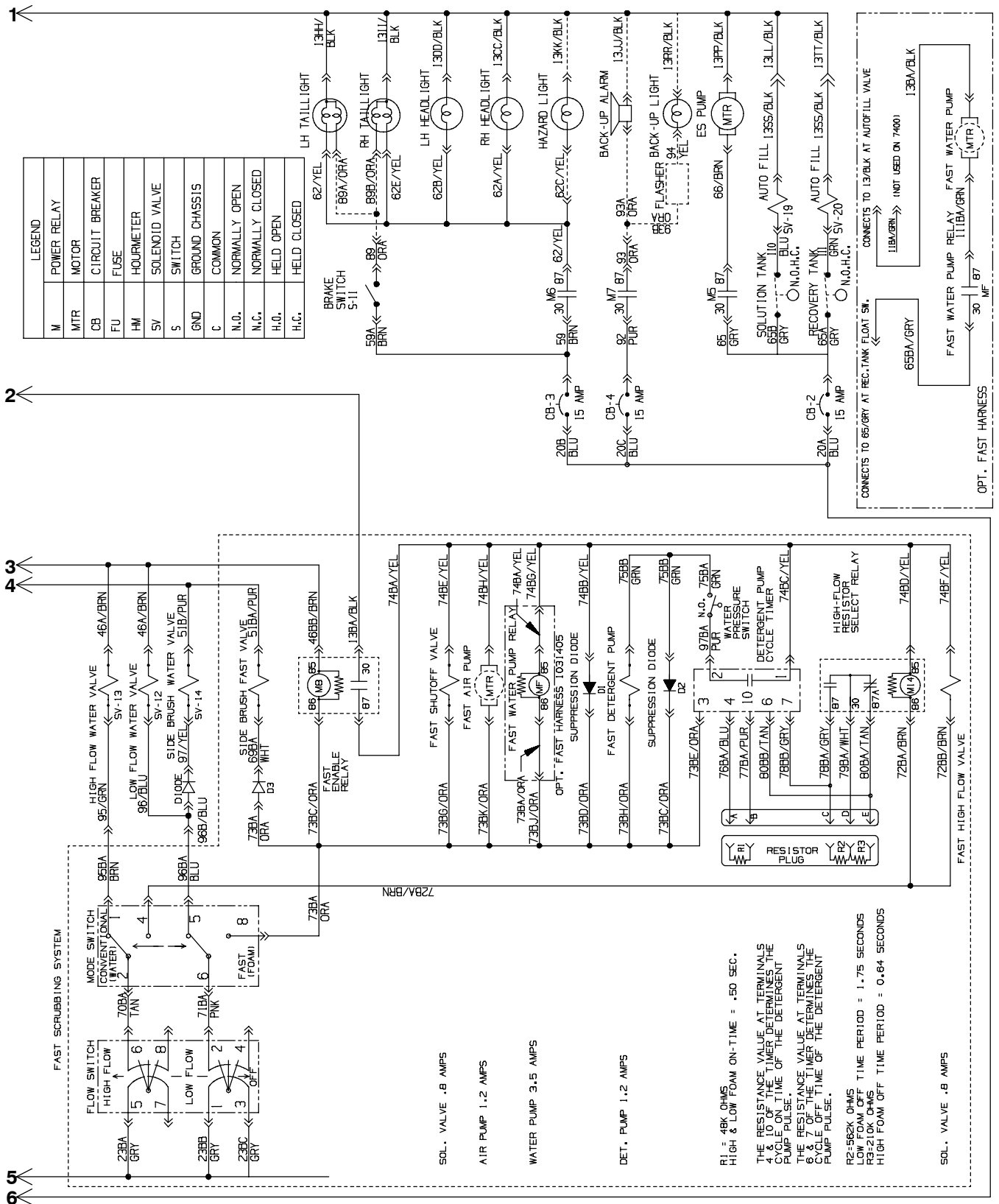


Fig. 49 - Electrical Schematic (009000-)

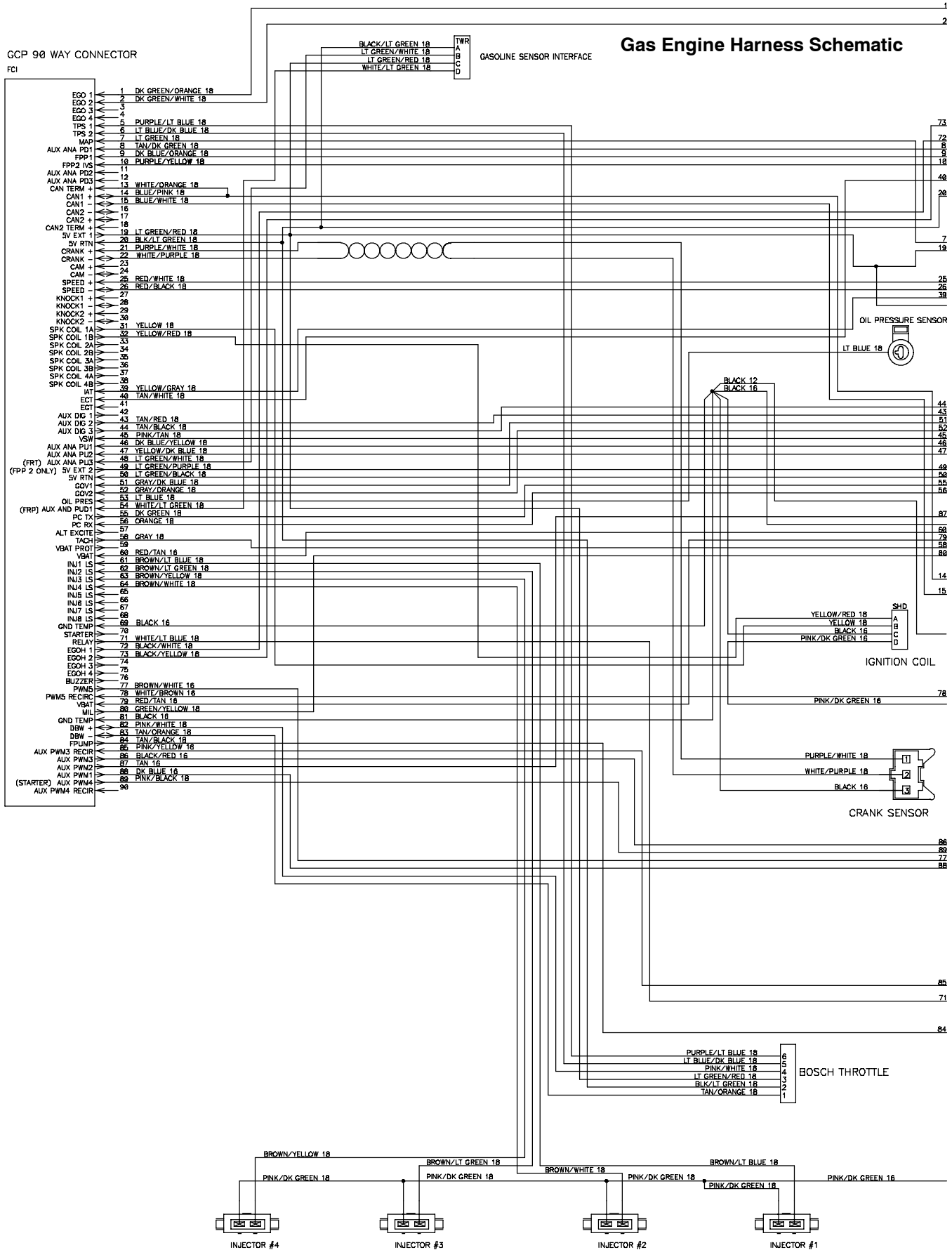


Fig. 49 - Electrical Schematic (009000-)

Gas Engine Harness Schematic

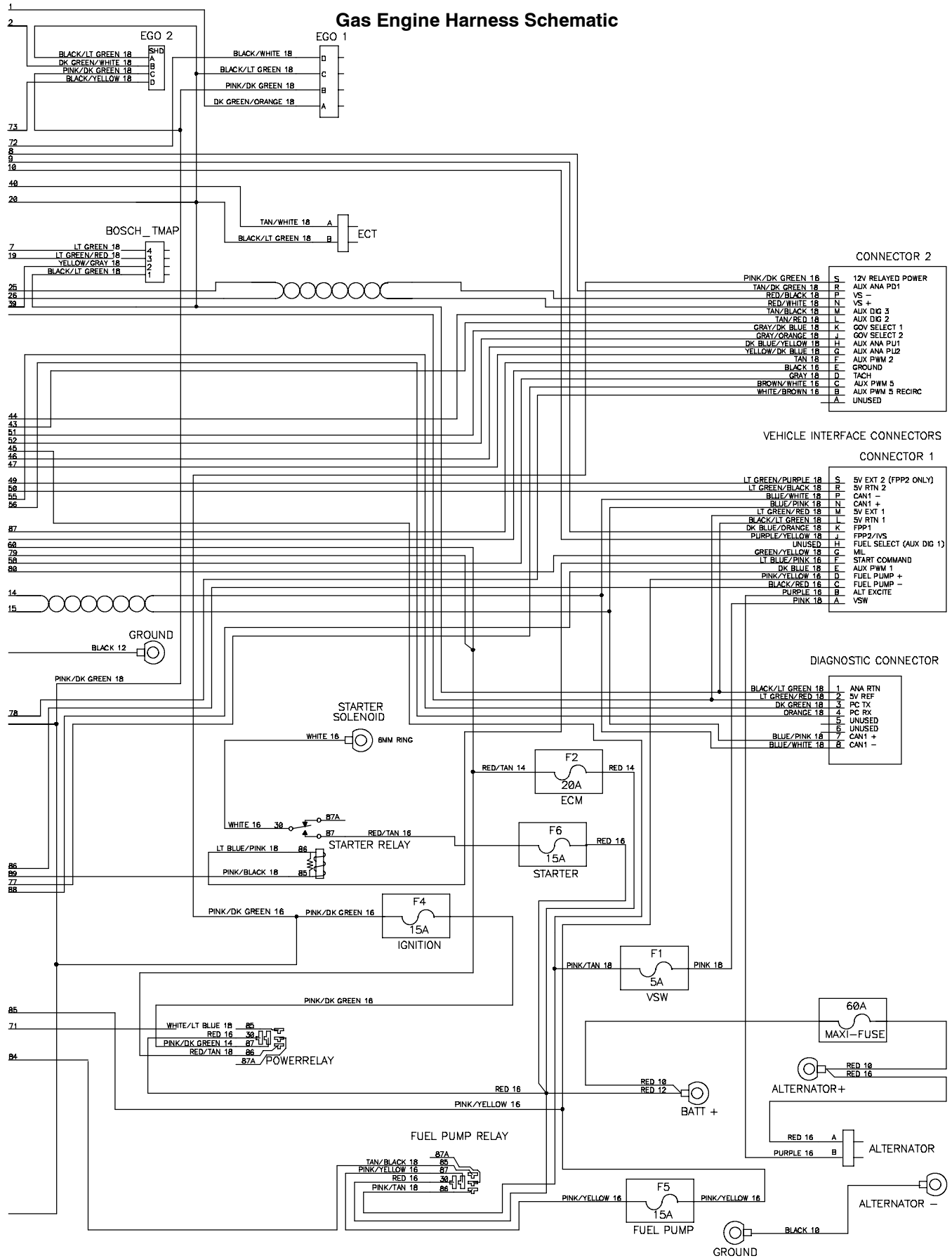


Fig. 49 - Electrical Schematic (009000-) LPG Engine Harness Schematic

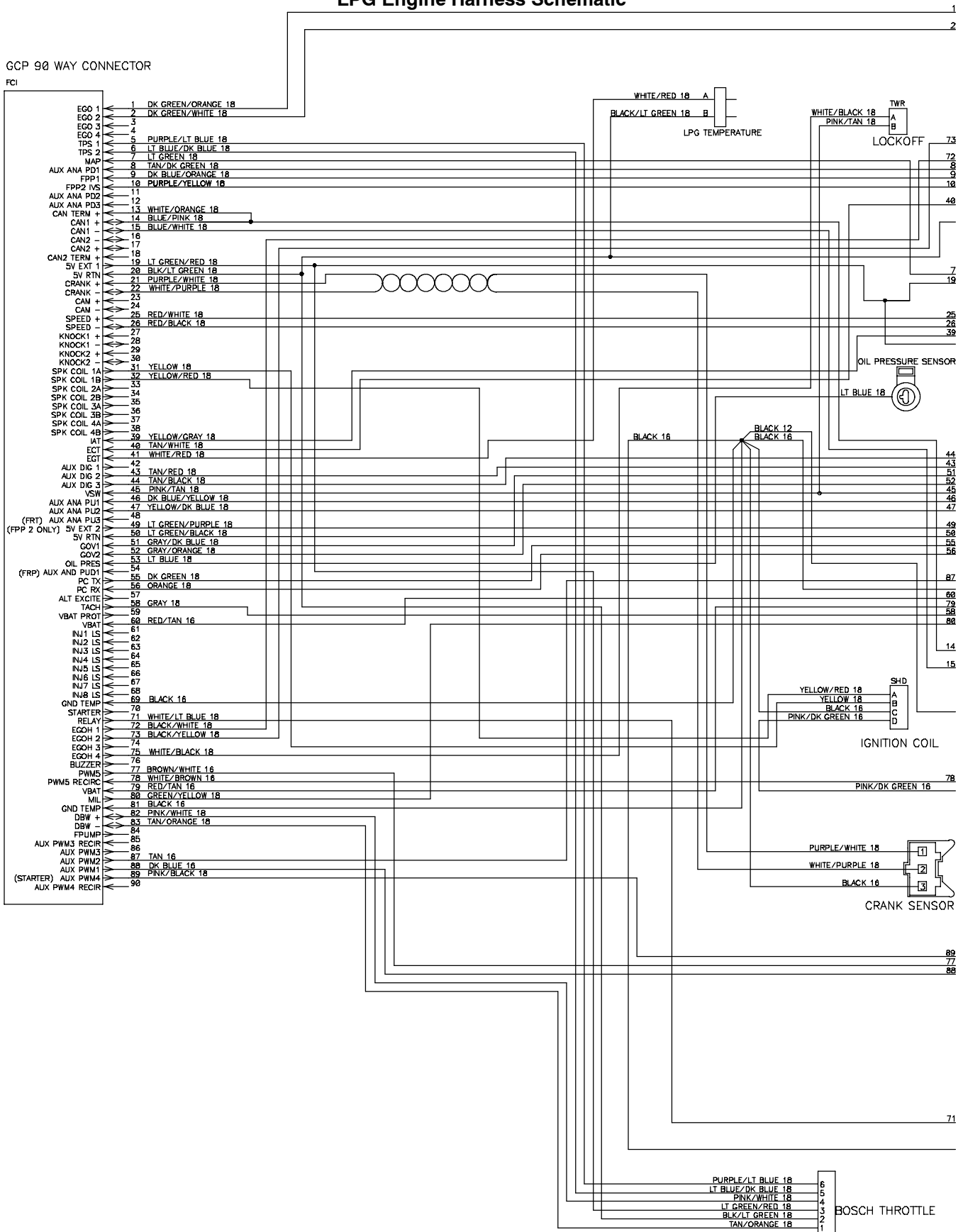


Fig. 49 - Electrical Schematic (009000-)

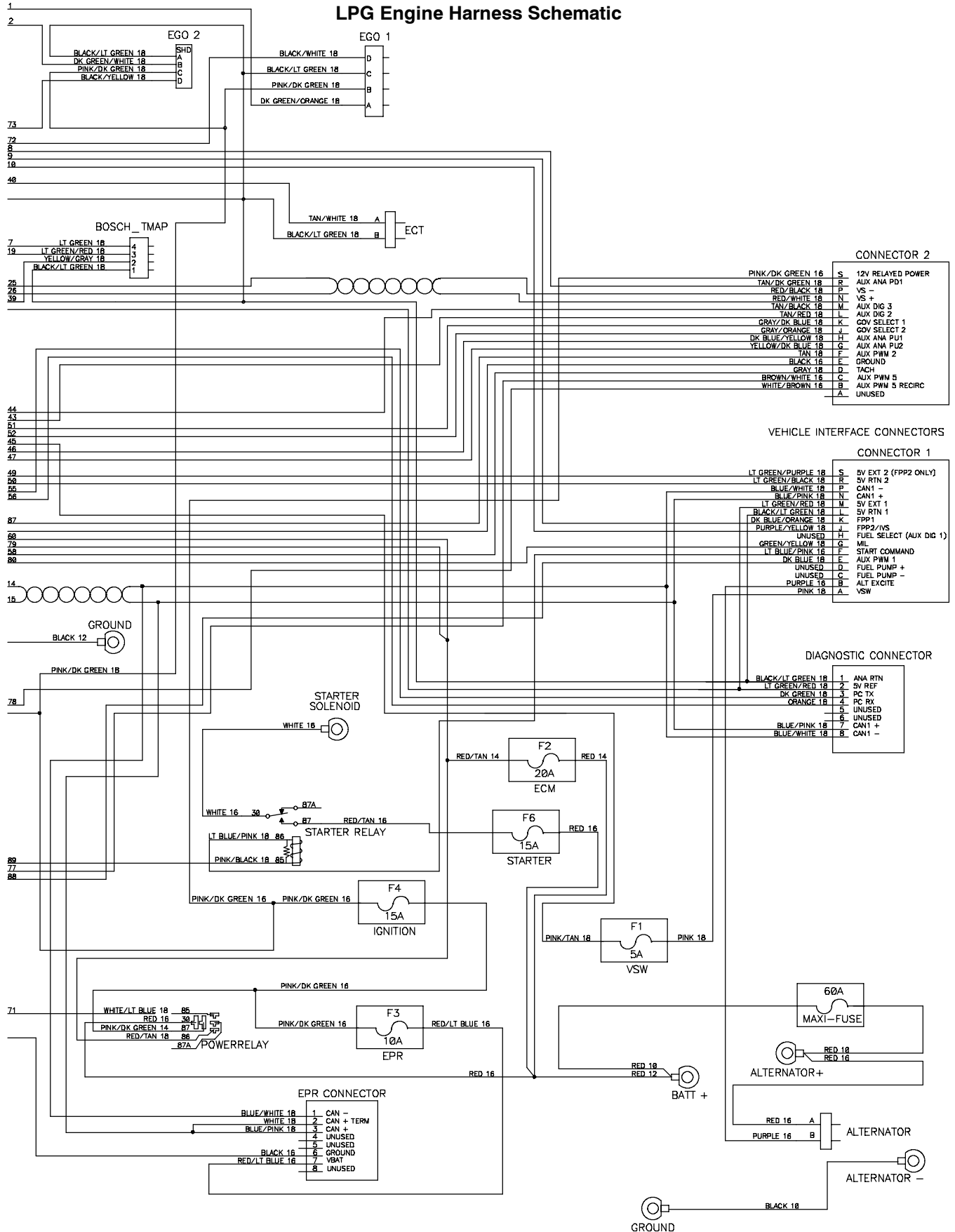
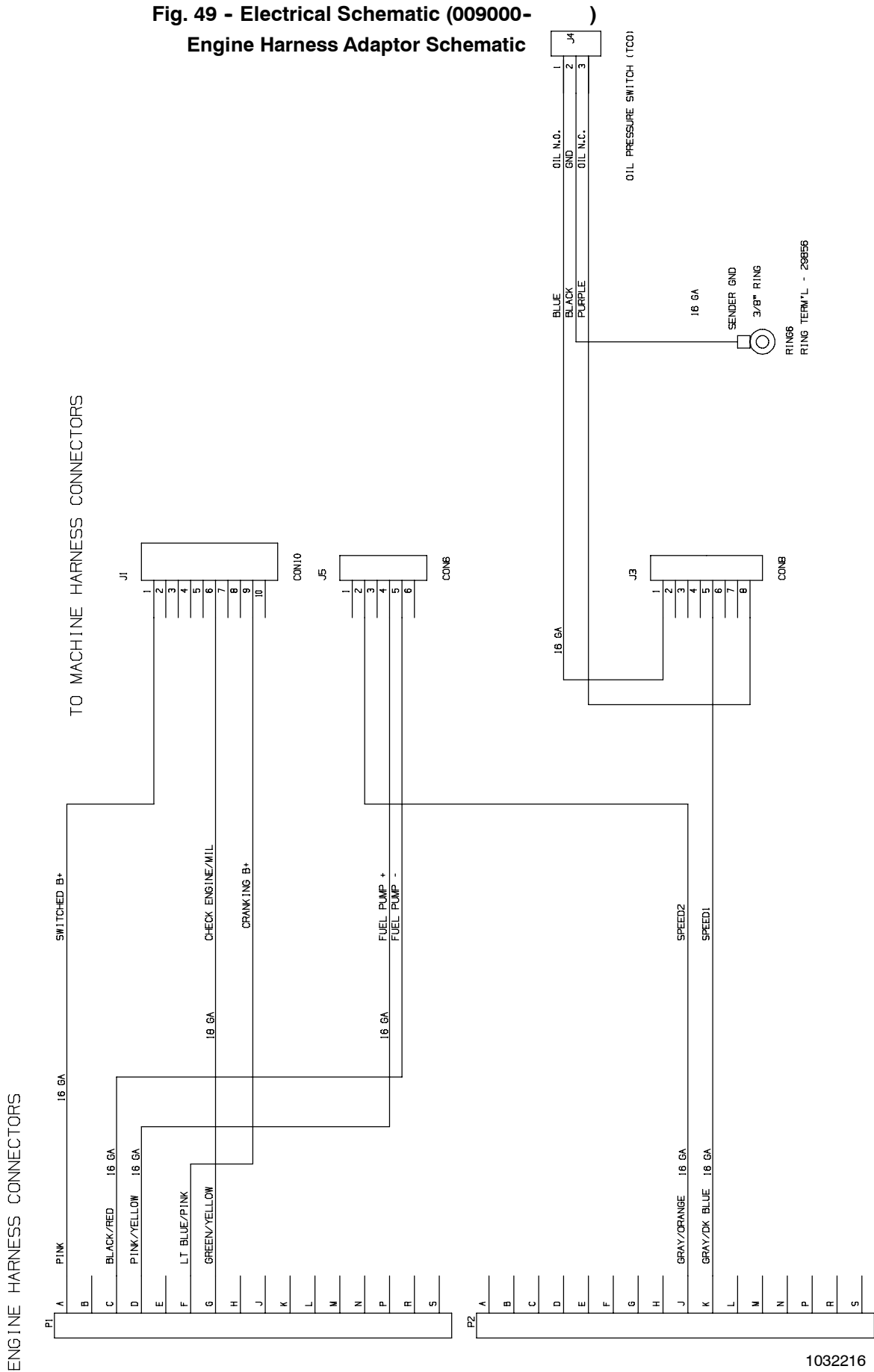


Fig. 49 - Electrical Schematic (009000-)
 Engine Harness Adaptor Schematic



1032216

Fig. 50 - Electrical Wire Harness Group

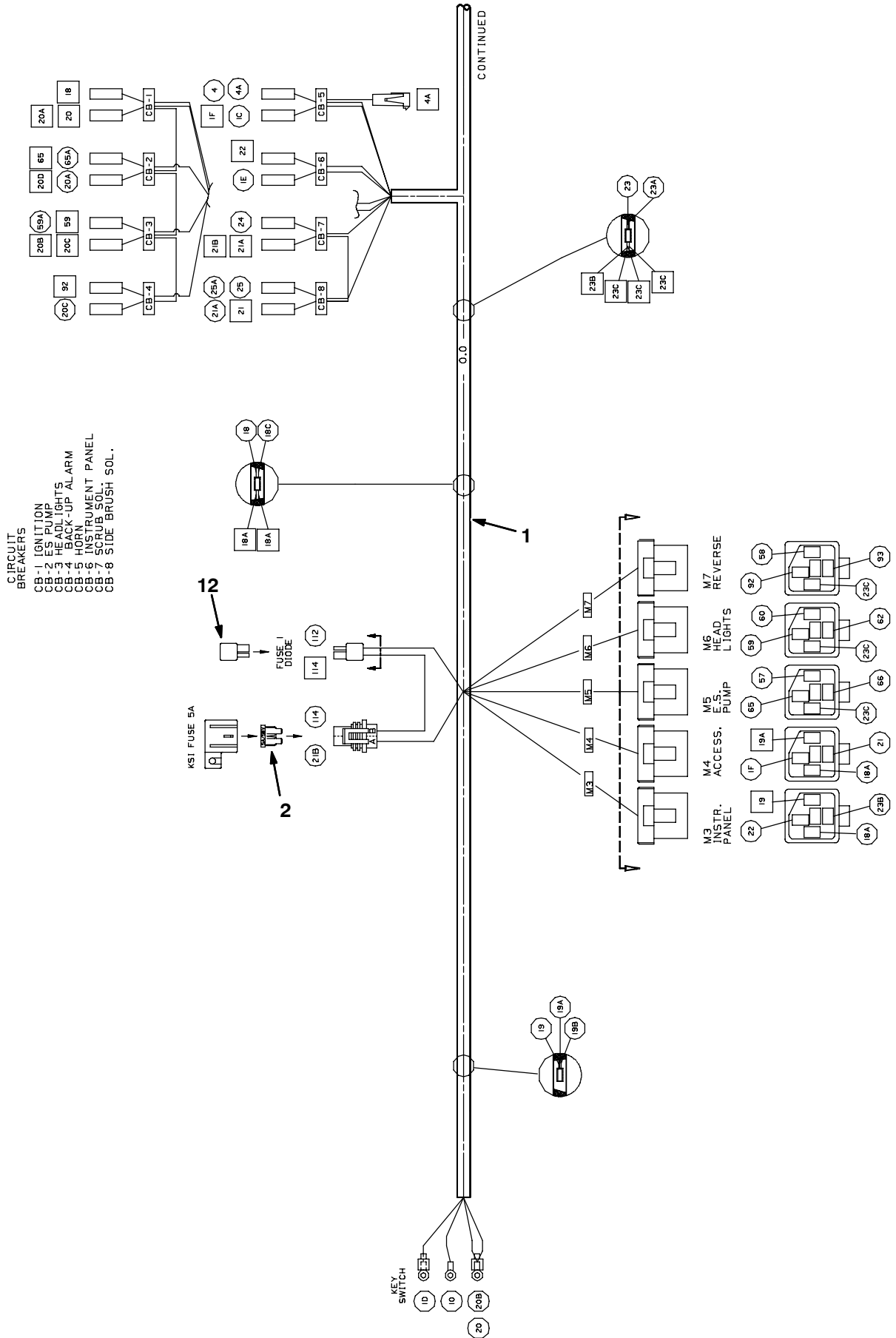


Fig. 50 - Electrical Wire Harnesses Group

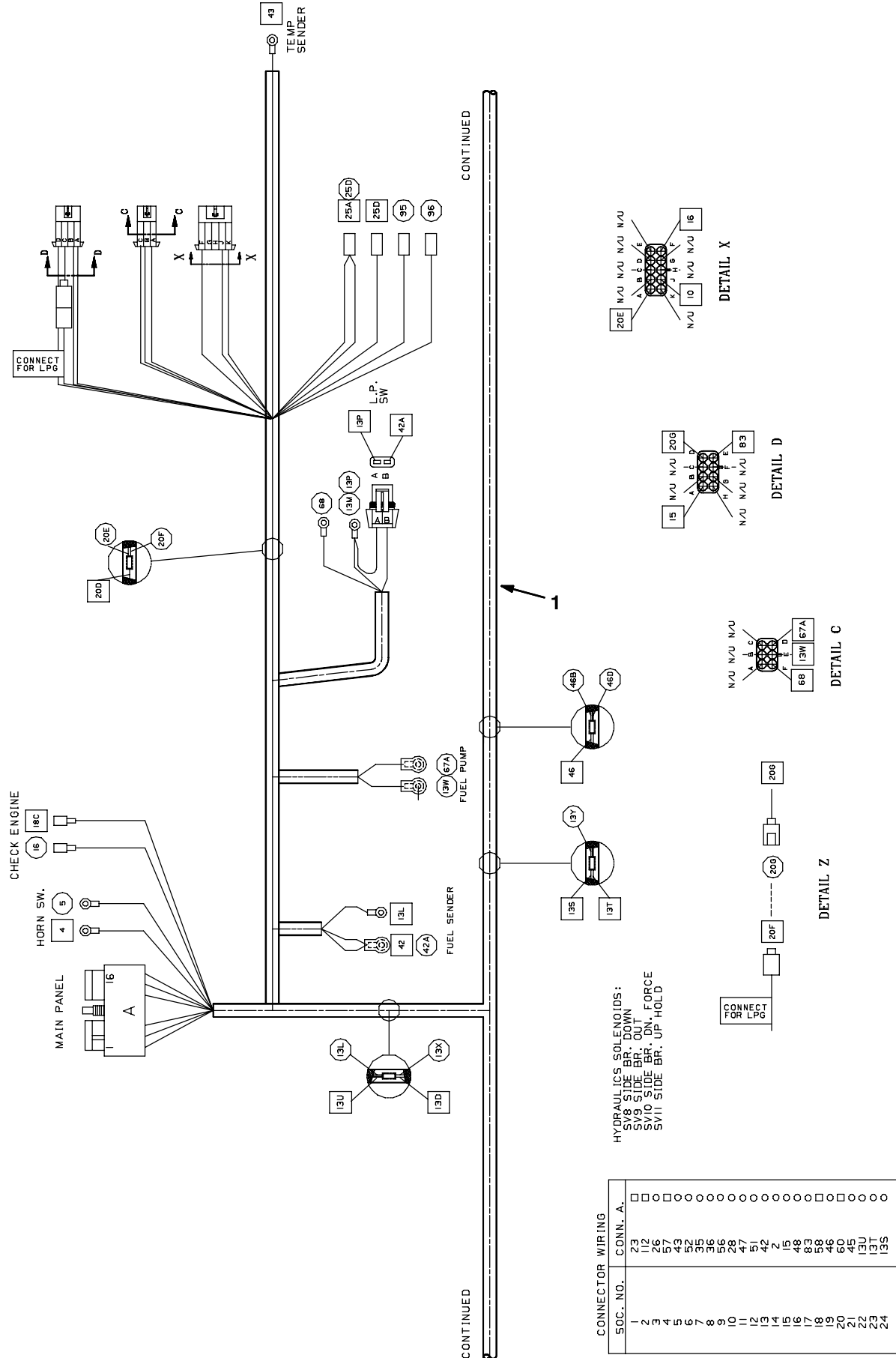


Fig. 50 - Electrical Wire Harness Group

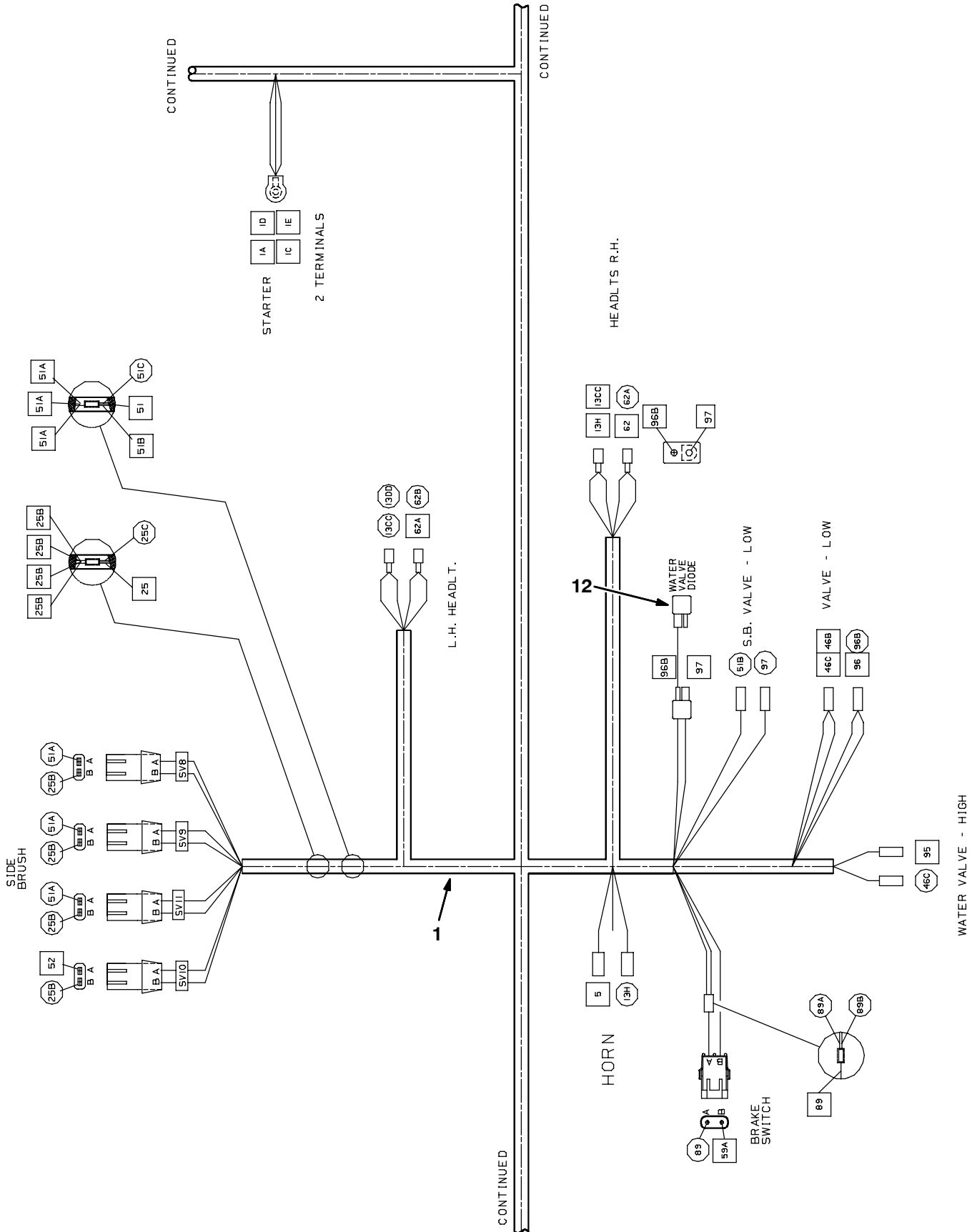


Fig. 50 - Electrical Wire Harness Group

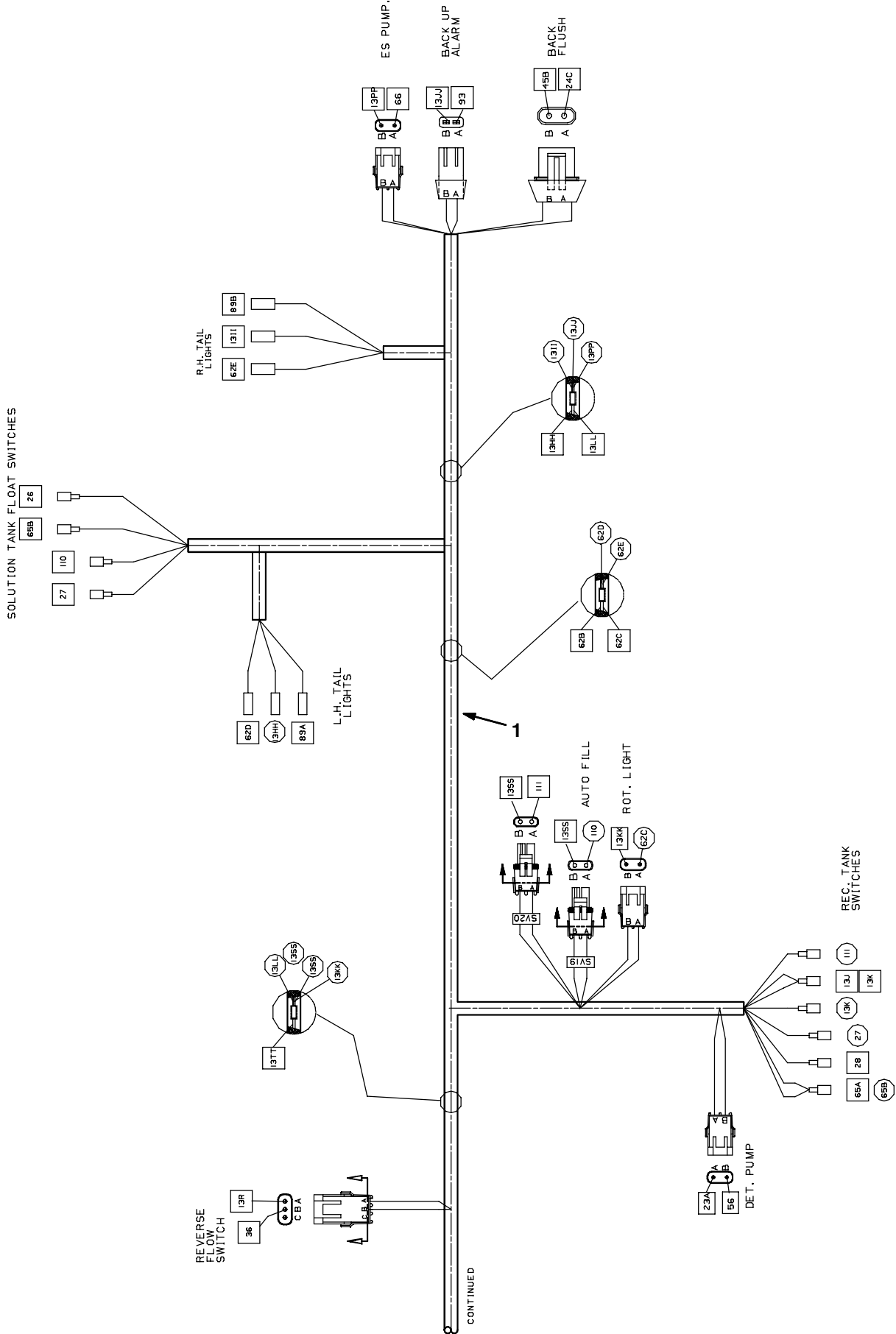


Fig. 50 - Electrical Wire Harnesses Group
ENGINE COMPONENTS

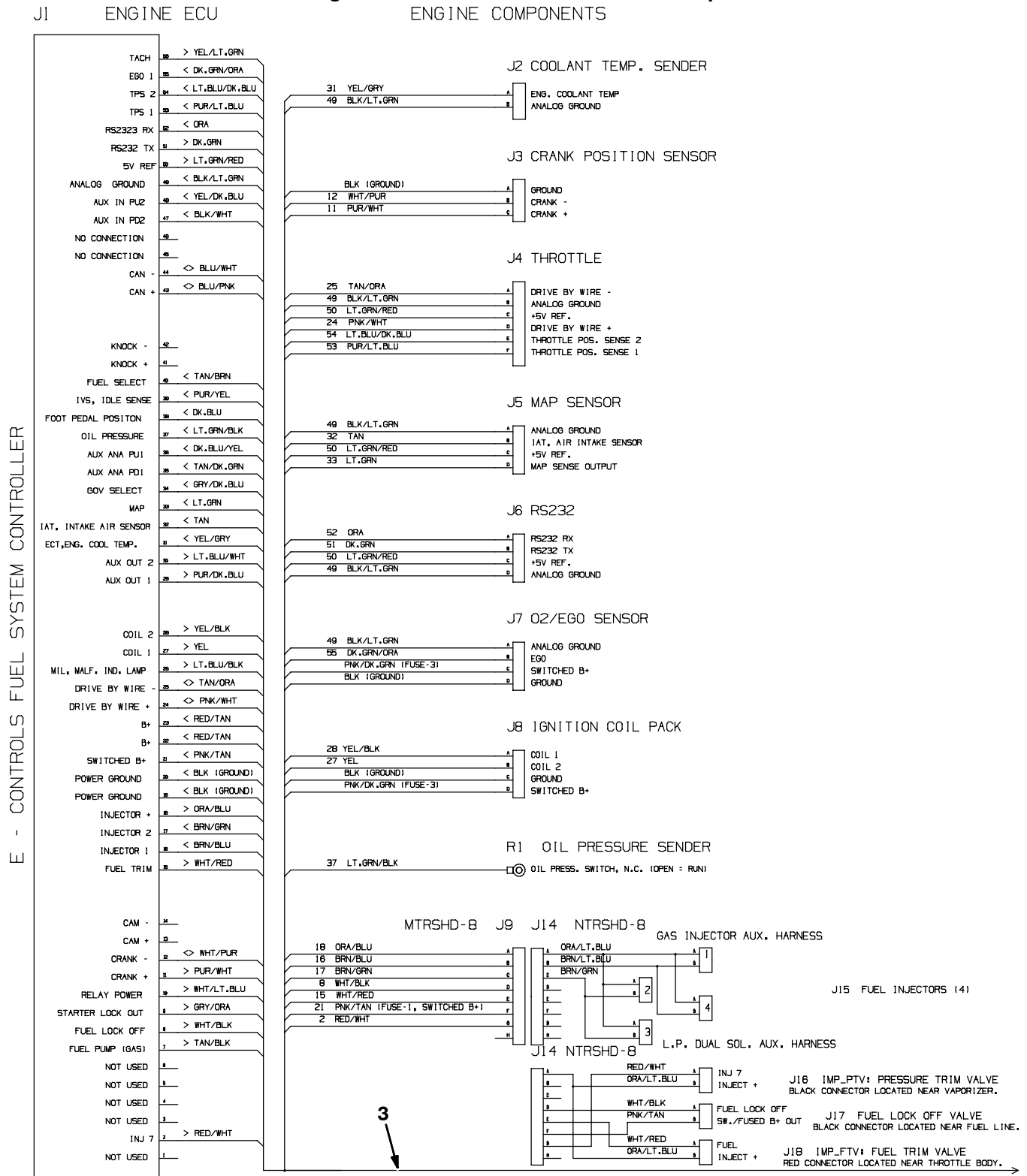


Fig. 50 - Electrical Wire Harness Group

CONNECTIONS TO MACHINE

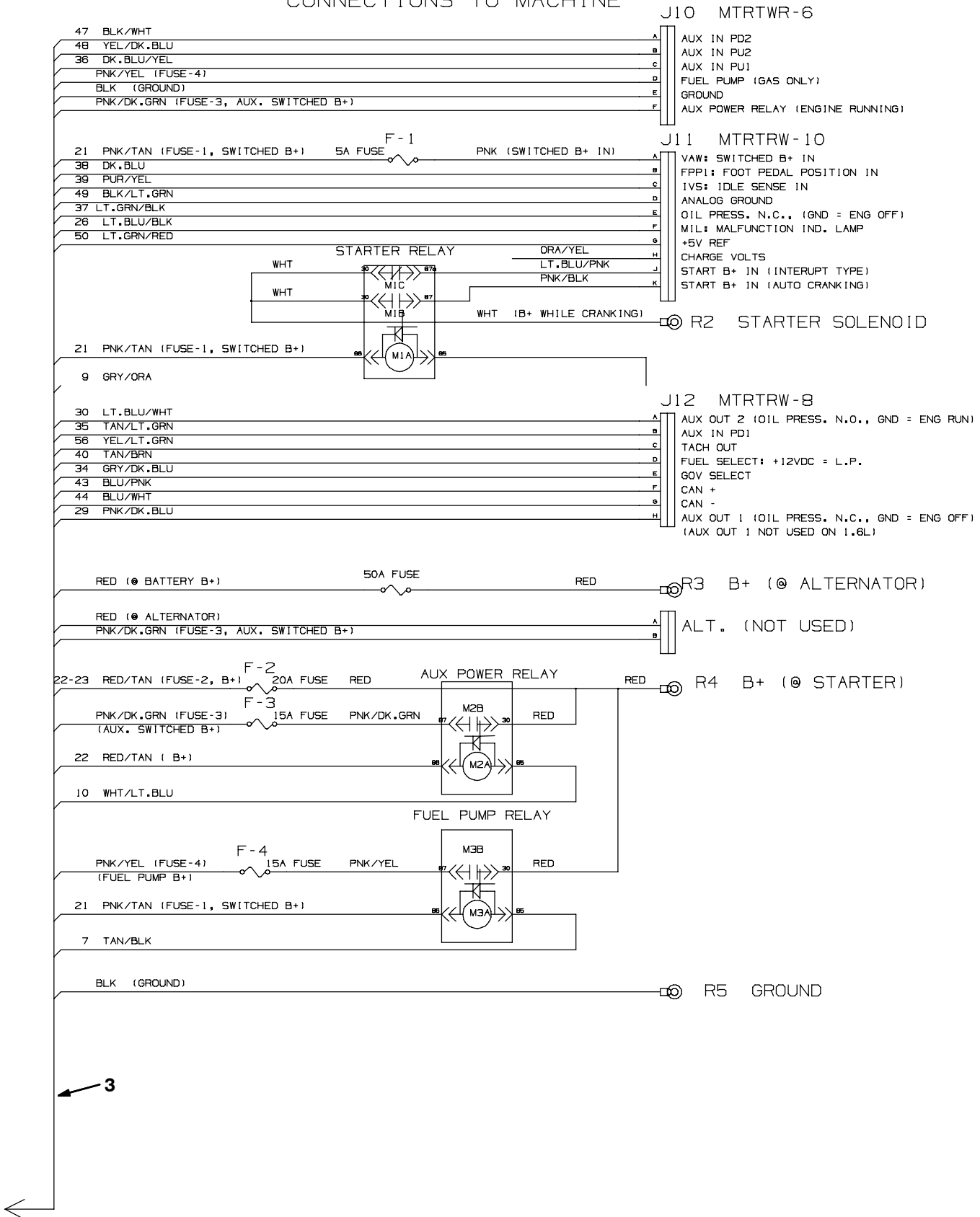
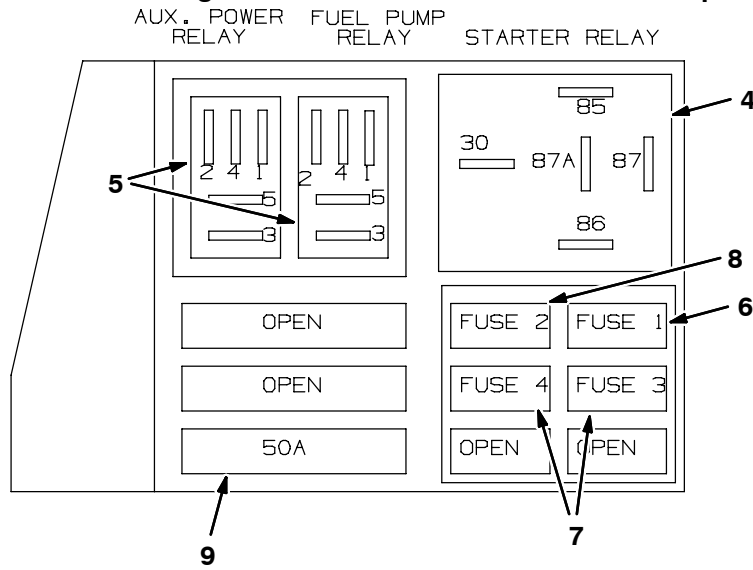
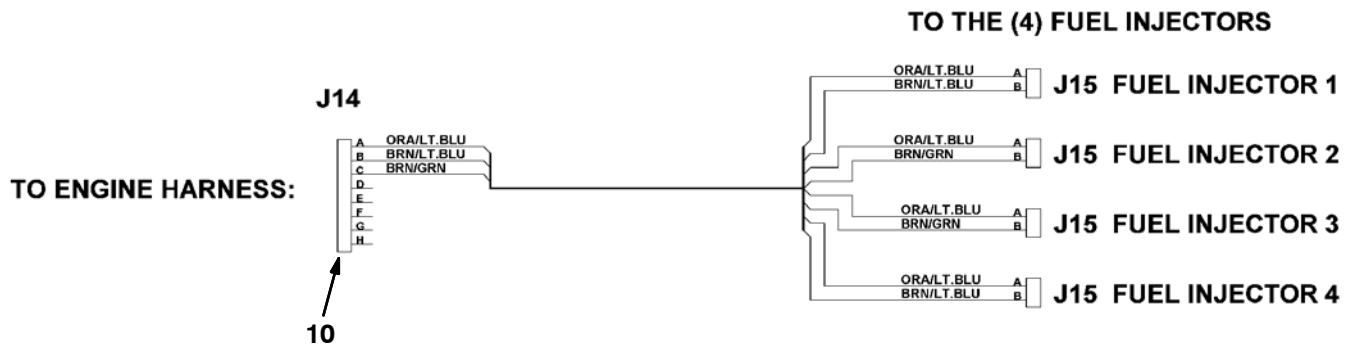


Fig. 50 - Electrical Wire Harnesses Group



GAS INJECTOR AUX. HARNESS



L.P. DUAL SOL. AUX. HARNESS

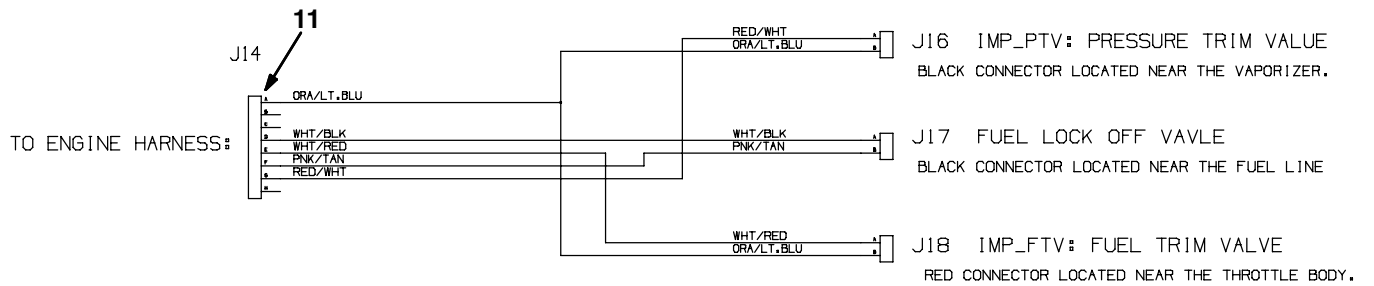


Fig. 50 - Electrical Wire Harnesses Group

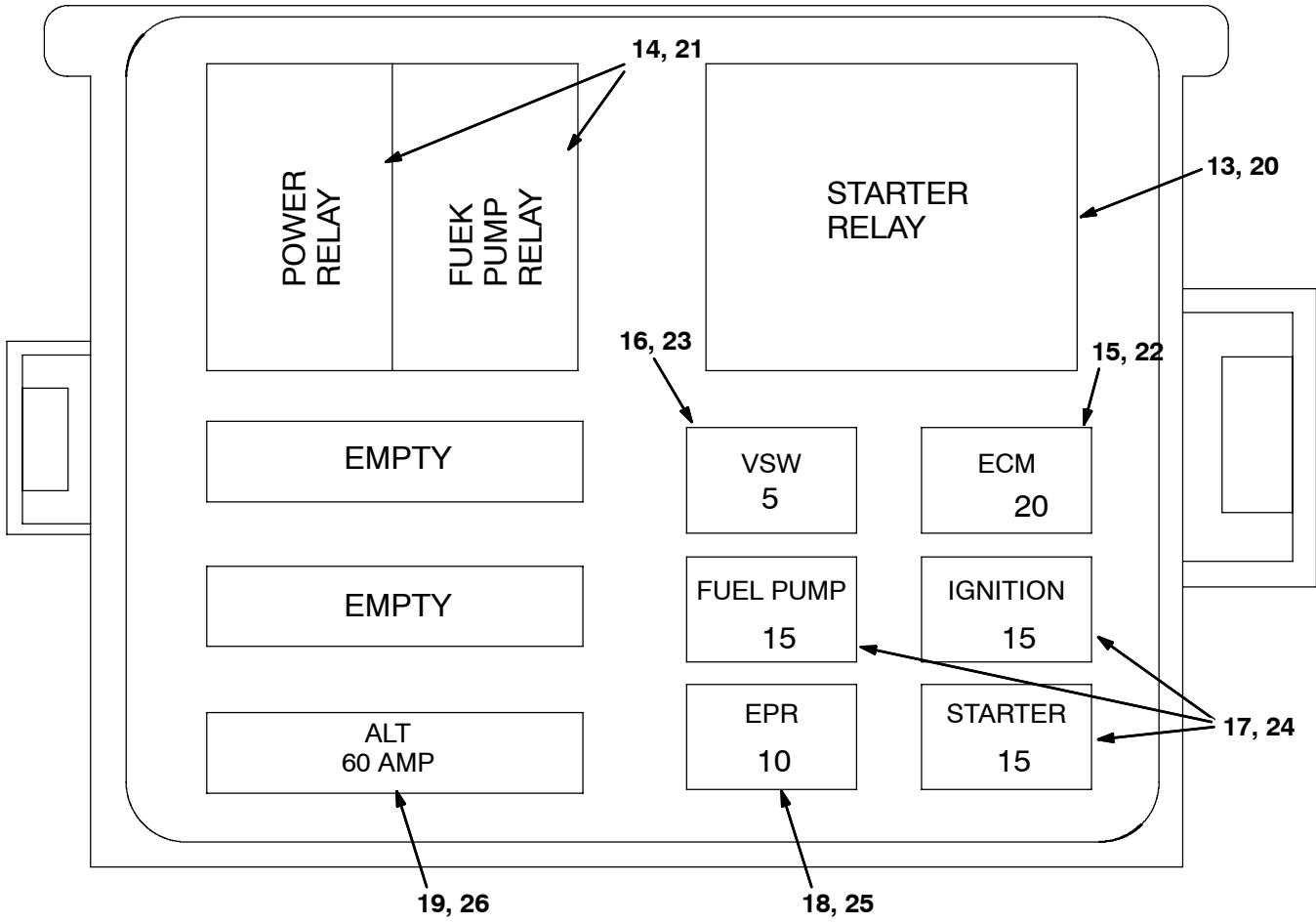


Fig. 50 - Electrical Wire Harness Group

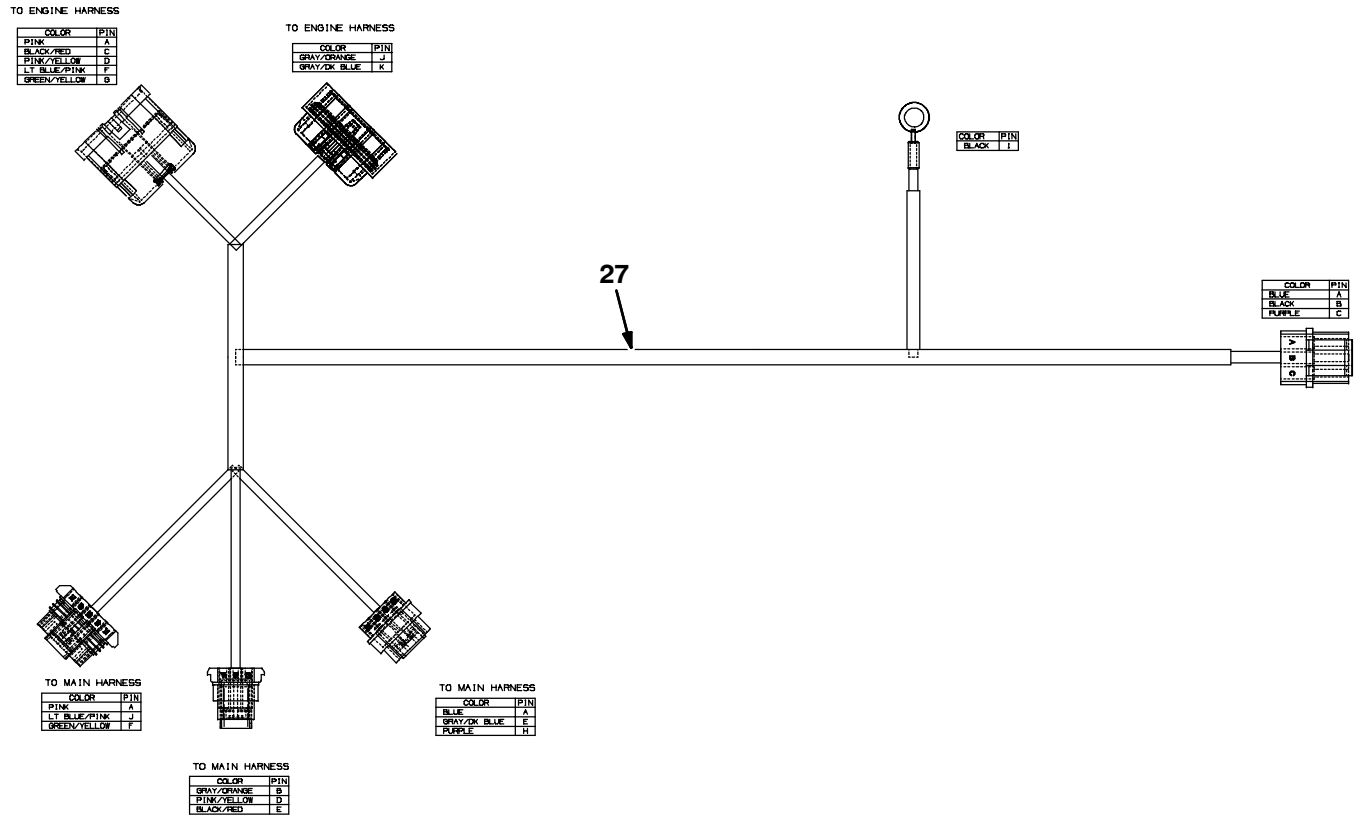


Fig. 50 - Electrical Wire Harnesses Group

Ref.	Part No.	Serial Number	Description	Qty.
▽	1	393280	(007000-) Harness, Main, Gas/Lpg [7400]	1
▲	2	1015029	(007000-) Fuse, 5 Amp	1
▽	3	1011018	(007000-008999) Harness, Eng [1.6l, Gm, E-cntrl]	1
▲	4	57804	(007000-008999) Relay, 12vdc, 40a, Spdt	1
▲	5	394916	(007000-008999) Relay, 12vdc, 20a, Spdt	2
▲	6	372235	(007000-008999) Fuse, 5 Amp, [Min-5]	1
▲	7	372236	(007000-008999) Fuse, 15 Amp, [Min-15]	2
▲	8	372237	(007000-008999) Fuse, 20 Amp, [Min-20]	1
▲	9	394921	(007000-008999) Fuse, 50amp	1
▲	10	1011019	(007000-008999) Harness, Injector, Gas [1.6l,Gm,E-cntrl]	1
▲	11	1011020	(007000-008999) Harness, Injector, Lpg [1.6l,Gm,E-cntrl]	1
	12	222290	(007000-) Diode, Ele, Plug	2
▽		384997	(009000-) Harness, Wire, Eng, Gas [Gm 1.6l]	1
▲	13	57804	(009000-) Relay, 12vdc, 40a, Spdt	1
▲	14	394916	(009000-) Relay, 12vdc, 20a, Spdt	2
▲	15	372237	(009000-) Fuse, 20 Amp, [Min-20]	1
▲	16	372235	(009000-) Fuse, 5 Amp, [Min-5]	1
▲	17	372236	(009000-) Fuse, 15 Amp, [Min-15]	3
▲	18	384999	(009000-) Fuse, 10 Amp	1
▲	19	384998	(009000-) Fuse, 60 Amp	1
▽		384990	(009000-) Harness, Wire, Eng, Lpg [Gm 1.6l]	1
▲	20	57804	(009000-) Relay, 12vdc, 40a, Spdt	1
▲	21	394916	(009000-) Relay, 12vdc, 20a, Spdt	2
▲	22	372237	(009000-) Fuse, 20 Amp, [Min-20]	1
▲	23	372235	(009000-) Fuse, 5 Amp, [Min-5]	1
▲	24	372236	(009000-) Fuse, 15 Amp, [Min-15]	3
▲	25	384999	(009000-) Fuse, 10 Amp	1
▲	26	384998	(009000-) Fuse, 60 Amp	1
	27	1032216	(009000-) Harness, Adapter	1

Fig. 51 - Scrub Head Lift Group

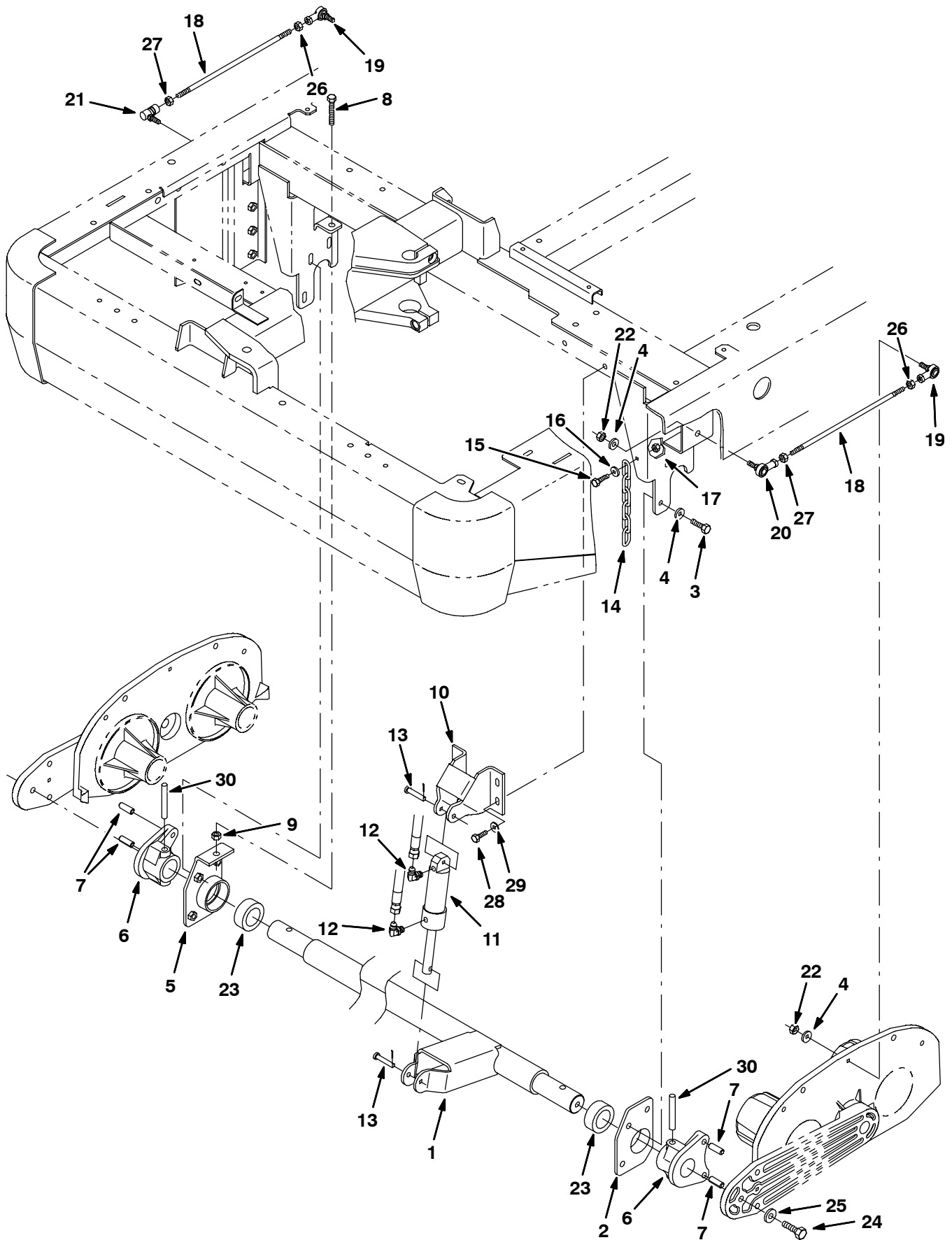


Fig. 51 - Scrub Head Lift Group

Ref.	Part No.	Serial Number	Description	Qty.	
1	56139	(007000-) Shaft Wldt, Torque	1	
2	56137	(007000-) Housing Wldt, Bearing Lh	1	
3	09028	(007000-) Scr Hexssm 10X1.5 25	6	
4	01686	(007000-) Washer Flt .38 Ss	10	
5	56136	(007000-) Housing Wldt, Bearing Rh	1	
▽	6	56103	(007000-) Hub Assy, Mounting, Brush	2
▲	7	56106	(007000-) Pin, Dowel, 0.5002 D X 1.50 L	2
8	06419	(007000-) Scr-Hex Ssm10X1.5 70 Full Thd	1	
9	07787	(007000-) Nut Hx Std Ss M10X1.5	1	
10	25684	(007000-) Bracket, Cylinder	1	
11	379030	(007000-) Cylinder, Hyd 1.5B 02.8S 2500	1	
12	77097	(007000-) Ftg-Hyd E90 Jm04/Om04	2	
13	94877	(007000-) Pin, Clevis 10D X 50L	2	
14	48183	(007000-) Chain,Link#2/0,11Links,Zinc Pl	1	
15	09011	(007000-) Scr Hexssm 8X1.25 30	1	
16	01685	(007000-) Washer Flt .31 Ss	1	
17	08713	(007000-) Nut-Hxlocnyln M 8X1.25 Reg Ss	1	
18	56077	(007000-) Rod, 3/8-24 Rh/Lh Thread	2	
19	86780	(007000-) Rod End .375-24 Lh W/Stud	2	
20	86781	(007000-) Rod End .375-24 W/Stud	1	
21	63282	(007000-) Ball Joint .375-24 Quick/Disc	1	
22	50269	(007000-) Nut Hxlocnyln .38-24 Reg5518-8	4	
23	56096	(007000-) Bearing, Nylon	2	
24	06981	(007000-) Scr Hex M16X2.0 40	2	
25	32494	(007000-) Washer Flt .62 Hard	2	
82889	82899	(007000-) Nut, Hex, Jam, .38-24, Lh	2	
27	20171	(007000-) Nut, Hex, Jam, .38-24	2	
28	16931	(007000-) Screw, Hex, M8 X 1.25 X 20, 8.8	4	
29	32491	(007000-) Washer, Flat, 0.31 Std	4	
30	56167	(007000-) Pin, Dowel, .50, 3.5L	2	

Fig. 52 - Scrub Brush Housing Group

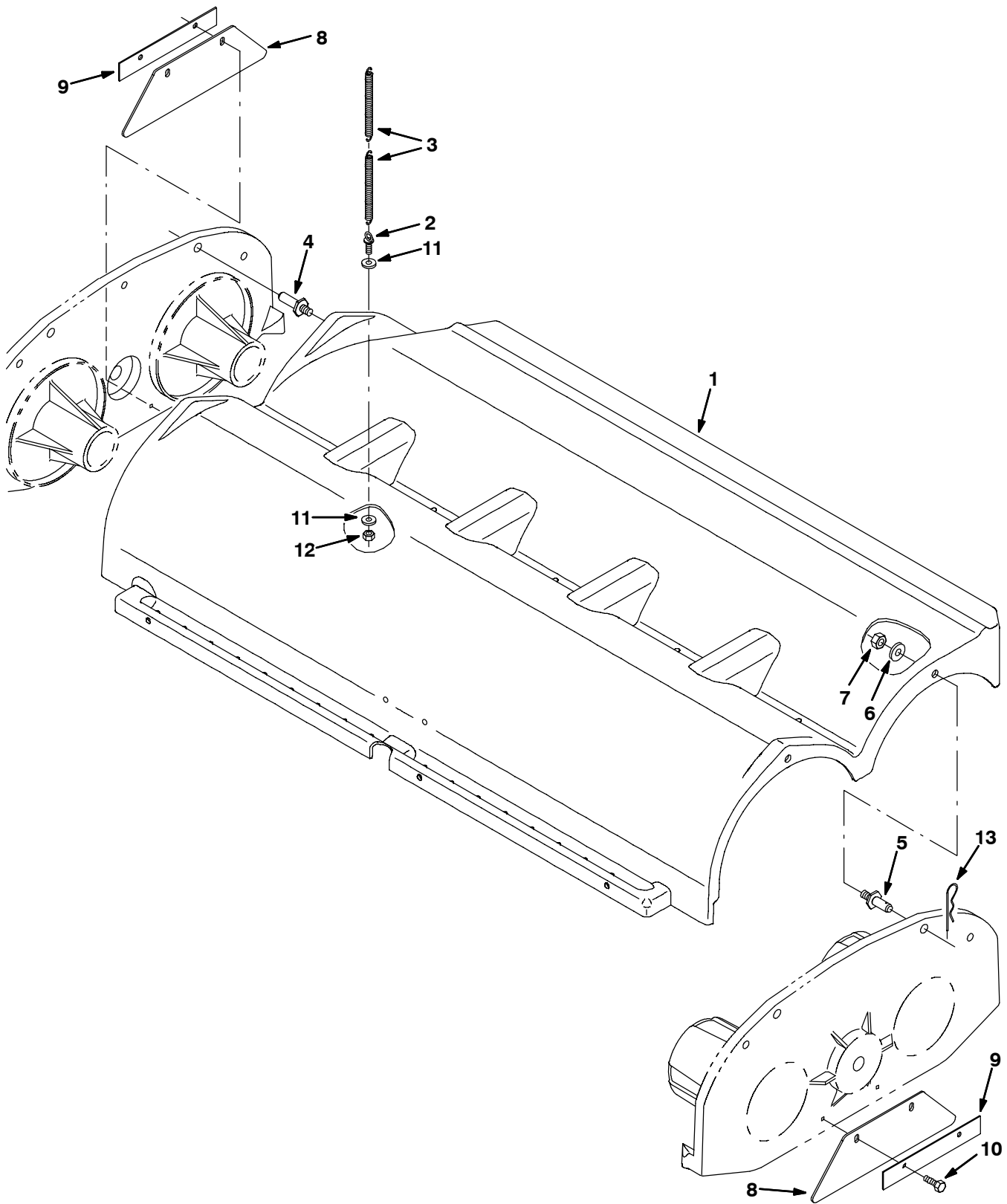


Fig. 52 - Scrub Brush Housing Group

Ref.	Part No.	Serial Number	Description	Qty.
1	391944	(007000-) Housing, Brush	1
2	48079	(007000-) Bolt-Eye, .25-20Th .25B 1.4L	1
3	36542	(007000-) Sprng, Tens, 0.38Odx.06Wire 6.0L	2
4	71630	(007000-) Pin, Guide	1
5	56149	(007000-) Pin, Guide	3
6	01686	(007000-) Washer Flt .38 Ss	4
7	08714	(007000-) Nut-Hxlocnyln M10X1.5 Reg 18-8	4
8	71200	(007000-) Skirt, Brush Arm	2
9	71201	(007000-) Retainer, Skirt, Brush	2
10	09007	(007000-) Screw, Hex, M06 X 1.0 X 25, Ss	4
11	32490	(007000-) Washer, Flt, .25 Std	2
12	32491	(007000-) Washer, Flt, .31 Std	1
13	05286	(007000-) Pin, Hair Cotter	2

Fig. 53 - Scrub Brush Drive Motor Group

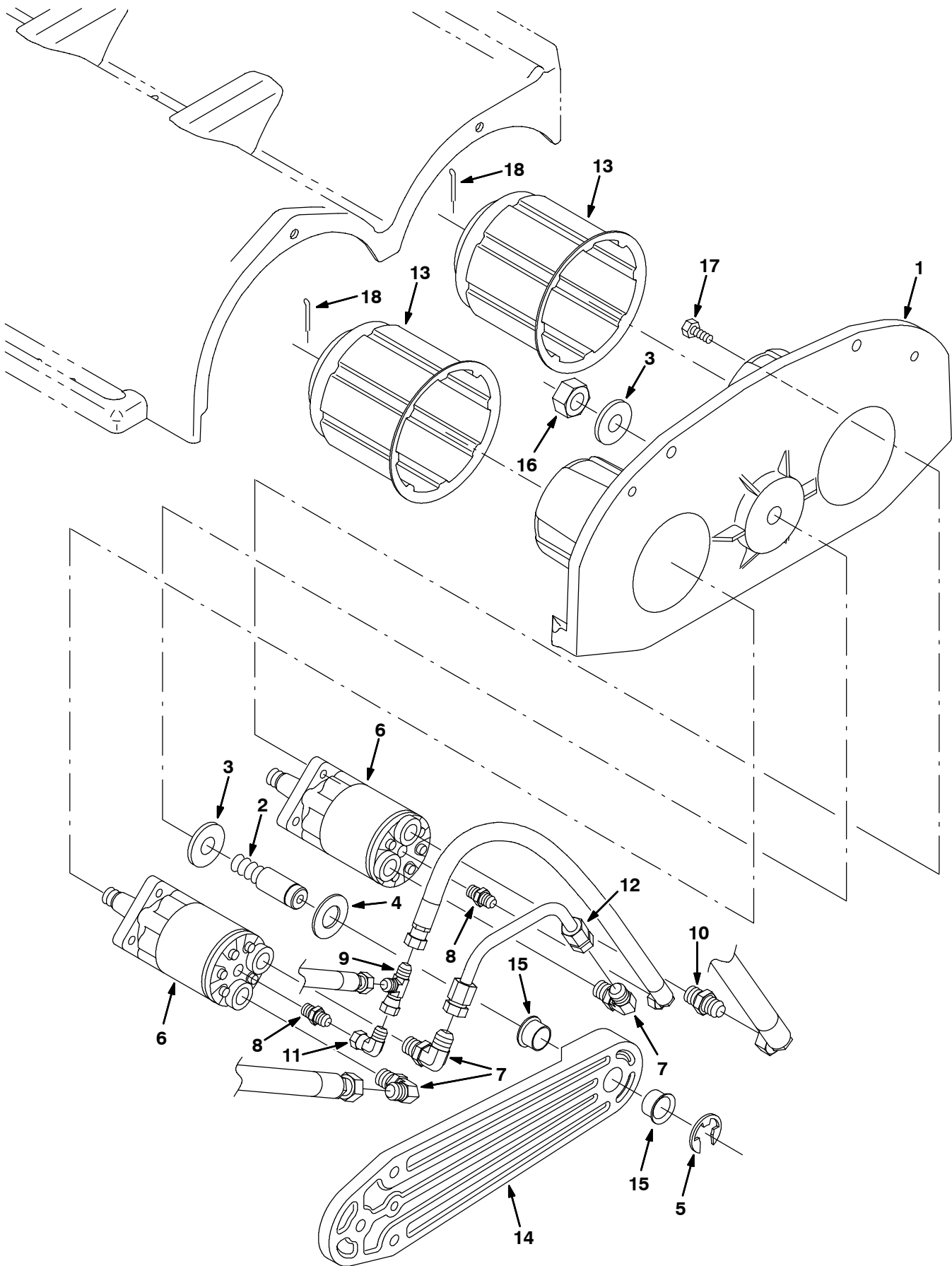


Fig. 53 - Scrub Brush Drive Motor Group

NOTE: Brush Drive Arm Assembly, Tennant Part Number 71660, includes Fig. 53 and Fig. 54.

Ref.	Part No.	Serial Number	Description	Qty.
1	71610	(007000-) Plate, Mounting, Brush	1
2	56088	(007000-) Shaft, Pivot	1
3	39350	(007000-) Washer, Flt, .75 Sae	2
4	58677	(007000-) Bearing-Thrust, 1.031 Dia	1
5	23788	(007000-) Ring, Retain, Ex, 0.98Od, E-Ring	1
6	71729	(007000-) Motor, Hyd Gear In 4.5 B 1500 (See Breakdowns)	2
7	44868	(007000-) Ftg-Hyd E90 Jm08/Om08	3
8	55586	(007000-) Ftg-Hyd Str Jm04/Om04	2
9	57988	(007000-) Ftg-Hyd Tee Jm04Jmjf	1
10	44869	(007000-) Ftg-Hyd Str Jm08/Om08	1
11	39210	(007000-) Ftg-Hyd E90 Jm04/Jf04	1
12	71166	(007000-) Tube, Hyd, Jf08	1
13	25686	(007000-) Plug Wldt, Brush Drive	2
14	56100	(007000-) Arm, Brush, Mach, Lh	1
15	56166	(007000-) Bearing, Flange	2
16	07783	(007000-) Nut, Hex, Std, M20 X 2.5	1
17	01762	(007000-) Screw, Hex, .38-16 X 0.75, NI	8
18	08182	(007000-) Pin, Cotter, .125 X 1.00	2

Fig. 54 - Scrub Brush Left Side Squeegee Group

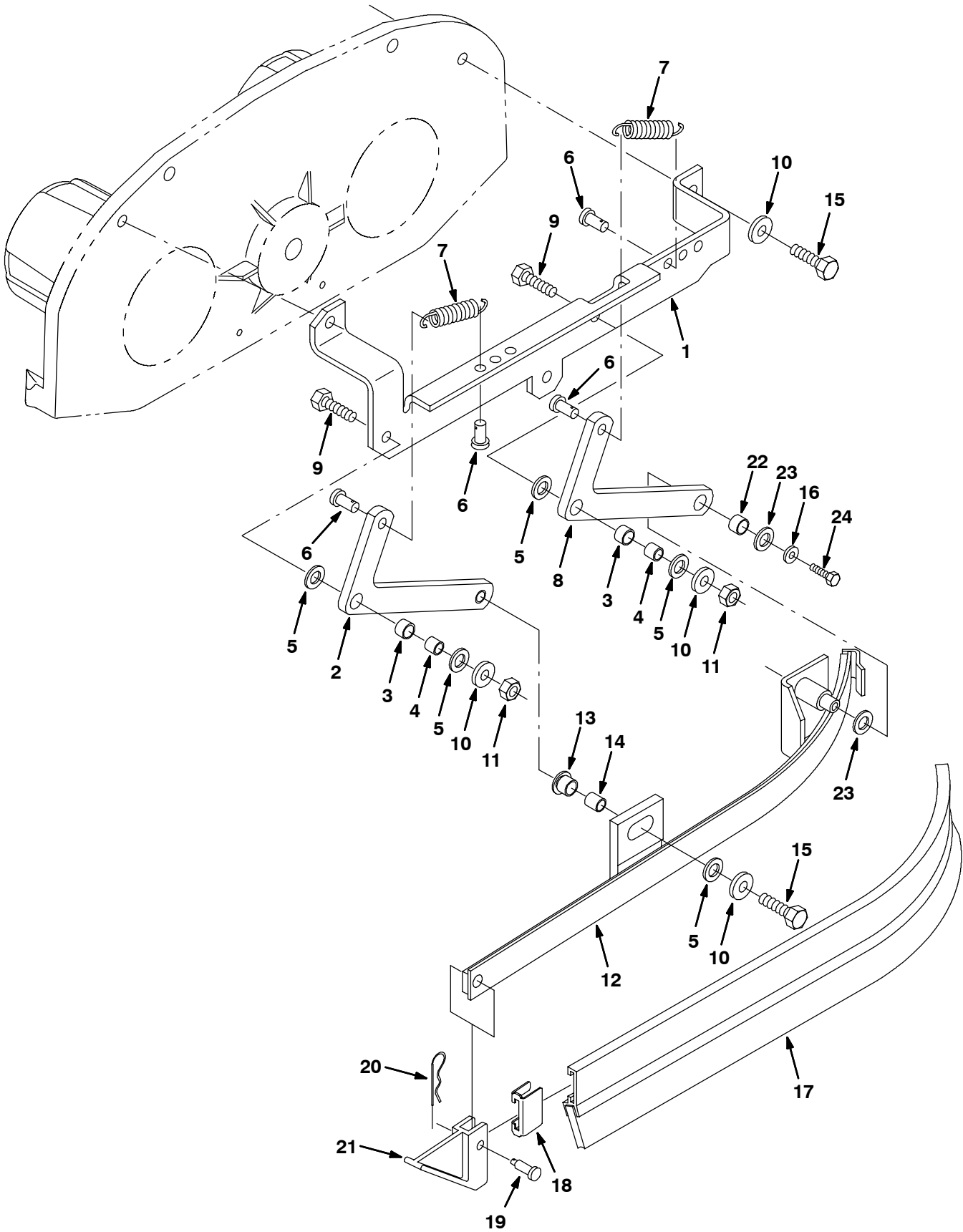


Fig. 54 - Scrub Brush Left Side Squeegee Group

NOTE: Brush Drive Arm Assembly, Tennant Part Number 71660, includes Fig. 53 and Fig. 54.

Ref.	Part No.	Serial Number	Description	Qty.
▽	25793	(007000-) Squeegee Assy, Side, Lh	1
▲	1 25710	(007000-) Bracket, Squeegee, Lh	1
▲	2 378952	(007000-) Arm, Sq Lift	1
▲	3 71607	(007000-) Bearing, .625B X .38	2
▲	4 71608	(007000-) Sleeve, Bearing .625Od X .515	2
▲	5 64425	(007000-) Washer, ..656B 1.25D .06	5
▲	6 39019	(007000-) Pin,Clevis,0.37 Dia.X 0.75 Lg	4
▲	7 25737	(007000-) Spring, Ten,0.75Od.07Wire 3.5L	2
▲	8 25709	(007000-) Arm, Lift, Squeegee	1
▲	9 77347	(007000-) Screw Hexssm10X1.5 35	2
▲	10 01686	(007000-) Washer Flt .38 Ss	6
▲	11 08714	(007000-) Nut-Hxlocnyln M10X1.5 Reg 18-8	2
▲	12 25719	(007000-) Frame Wldt, Sq Lh	1
▲	13 25730	(007000-) Bearing, Flange .625B X .50	1
▲	14 25736	(007000-) Tube, 0.62d 0.41b 0.6l, Ss, Cham	1
▲	15 09028	(007000-) Scr Hexssm 10X1.5 25	1
▲	16 01684	(007000-) Washer Flt .25 Ss	1
▲	17 86859	(007000-) Squeegee, Side	1
▲	18 86759	(007000-) Retainer, Squeegee	1
▲	19 69582	(007000-) Pin,Clevis,0.31 Dia X 1.00 Lg	1
▲	20 44906	(007000-) Pin, Hair Cotter, 0.69 D .092 Wir	1
▲	21 86865	(007000-) Guide, Side Squeegee	1
▲	22 64173	(007000-) Bushing, Sleeve, 0.50b 0.59d 0.38l, Stl	1
▲	23 86860	(007000-) Bearing, Thrust .500	2
▲	24 09744	(007000-) Scr Hexssm 6X1.0	1

Fig. 55 - Scrub Brush Idler Group

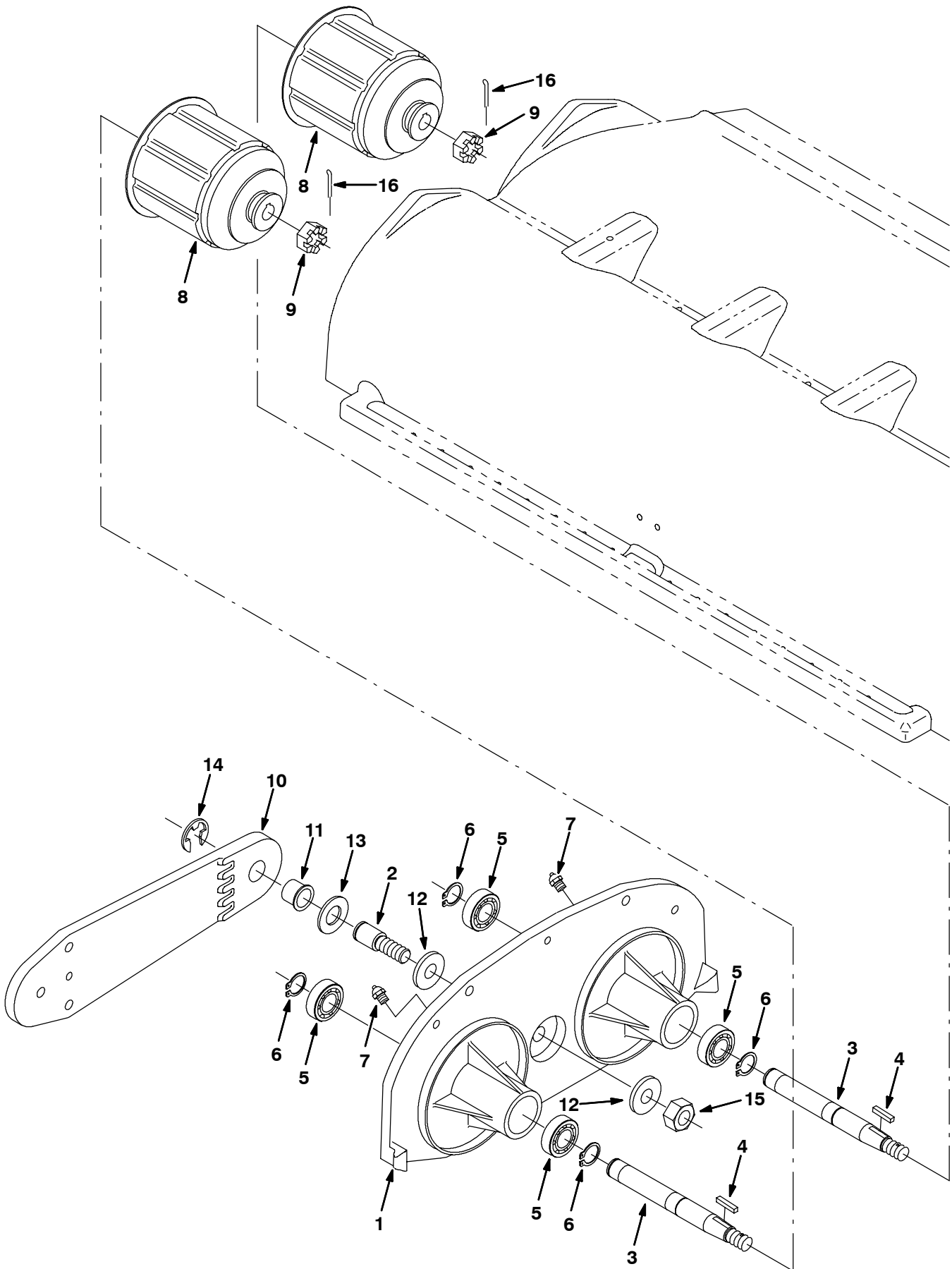


Fig. 55 - Scrub Brush Idler Group

NOTE: Brush Idler Arm Assembly, Tennant Part Number 71662, includes Fig. 55 and Fig. 56.

Ref.	Part No.	Serial Number	Description	Qty.
1	71611	(007000-) Plate, Mtg, Brush	1
2	56113	(007000-) Shaft, Pivot, Rh	1
3	56078	(007000-) Shaft, Brush, Idler	2
4	00927	(007000-) Key Square 0.25 0.25 01.25 Lg	2
5	25797	(007000-) Bearing Kit, Idler	1
6	09005	(007000-) Ring,Retain,Ex,1.00Od,Basic	4
7	50270	(007000-) Fitting, Grease .12Nptf-Str	2
8	25686	(007000-) Plug Wldt, Brush Drive	2
9	12295	(007000-) Nut-Hxslot M20X2.5 8 Pltd	2
10	25689	(007000-) Arm, Brush, Mach, Rh	1
11	54618	(007000-) Bushing, Flng, 1.00b 1.13d 1.00l	1
12	39350	(007000-) Washer, Flt, .75 Sae	2
13	58677	(007000-) Bearing-Thrust, 1.031 Dia	1
14	23788	(007000-) Ring,Retain,Ex,0.98Od,E-Ring	1
15	07783	(007000-) Nut, Hex, Std, M20 X 2.5	1
16	08182	(007000-) Pin, Cotter, .125 X 1.00	2

Fig. 56 - Scrub Brush Right Side Squeegee Group

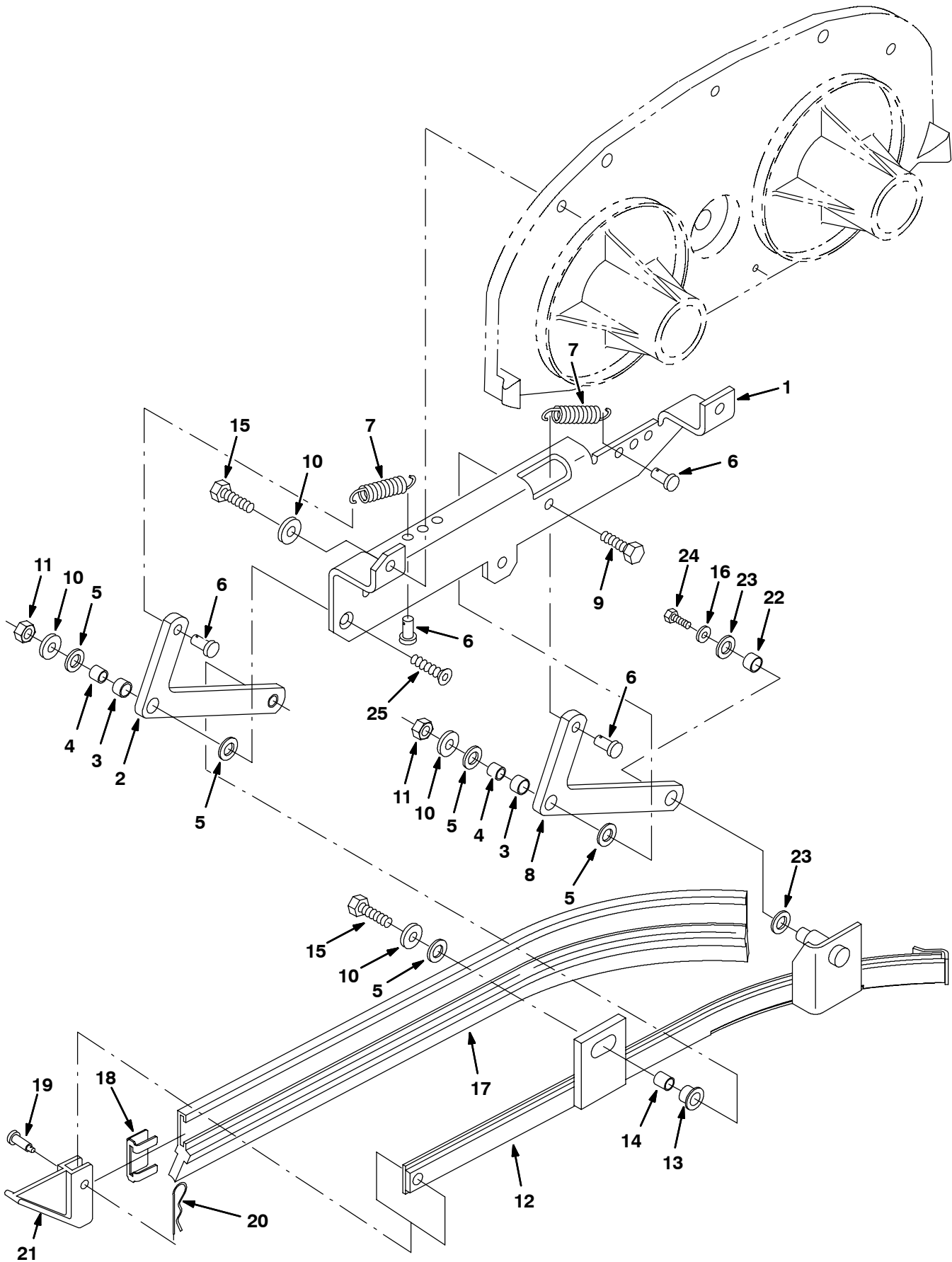


Fig. 56 - Scrub Brush Right Side Squeegee Group

NOTE: Brush Idler Arm Assembly, Tennant Part Number 71662, includes Fig. 55 and Fig. 56.

Ref.	Part No.	Serial Number	Description	Qty.
▽	25792	(007000-) Squeegee Assy, Side, Rh	1
▲	1 391849	(007000-) Bracket, Sqge, Rh	1
▲	2 378952	(007000-) Arm, Sq Lift	1
▲	3 71607	(007000-) Bearing, .625B X .38	2
▲	4 71608	(007000-) Sleeve, Bearing .625Od X .515	2
▲	5 64425	(007000-) Washer, .656B 1.25D .06	5
▲	6 39019	(007000-) Pin,Clevis,0.37 Dia.X 0.75 Lg	4
▲	7 25737	(007000-) Spring, Ten,0.75Od.07Wire 3.5L	2
▲	8 25709	(007000-) Arm, Lift, Squeegee	1
▲	9 77347	(007000-) Screw Hexssm10X1.5 35	1
▲	10 01686	(007000-) Washer Flt .38 Ss	6
▲	11 08714	(007000-) Nut-Hxlocnyln M10X1.5 Reg 18-8	2
▲	12 25733	(007000-) Frame Wldt, Sq Rh	1
▲	13 25730	(007000-) Bearing, Flange .625B X .50	1
▲	14 25736	(007000-) Tube, 0.62d 0.41b 0.6l, Ss, Cham	1
▲	15 09028	(007000-) Scr Hexssm 10X1.5 25	4
▲	16 01684	(007000-) Washer Flt .25 Ss	1
▲	17 86859	(007000-) Squeegee, Side	1
▲	18 86759	(007000-) Retainer, Squeegee	1
▲	19 69582	(007000-) Pin,Clevis,0.31 Dia X 1.00 Lg	1
▲	20 44906	(007000-) Pin, Hair Cotter, 0.69 D .092 Wir	1
▲	21 86865	(007000-) Guide, Side Squeegee	1
▲	22 64173	(007000-) Bushing, Sleeve, 0.50b 0.59d 0.38l, Stl	1
▲	23 86860	(007000-) Bearing, Thrust .500	2
▲	24 09744	(007000-) Scr Hexssm 6X1.0	1
▲	25 06535	(007000-) Screw, Flat M10X1.5	1

Fig. 57 - Scrub Head Debris Tray Frame Group

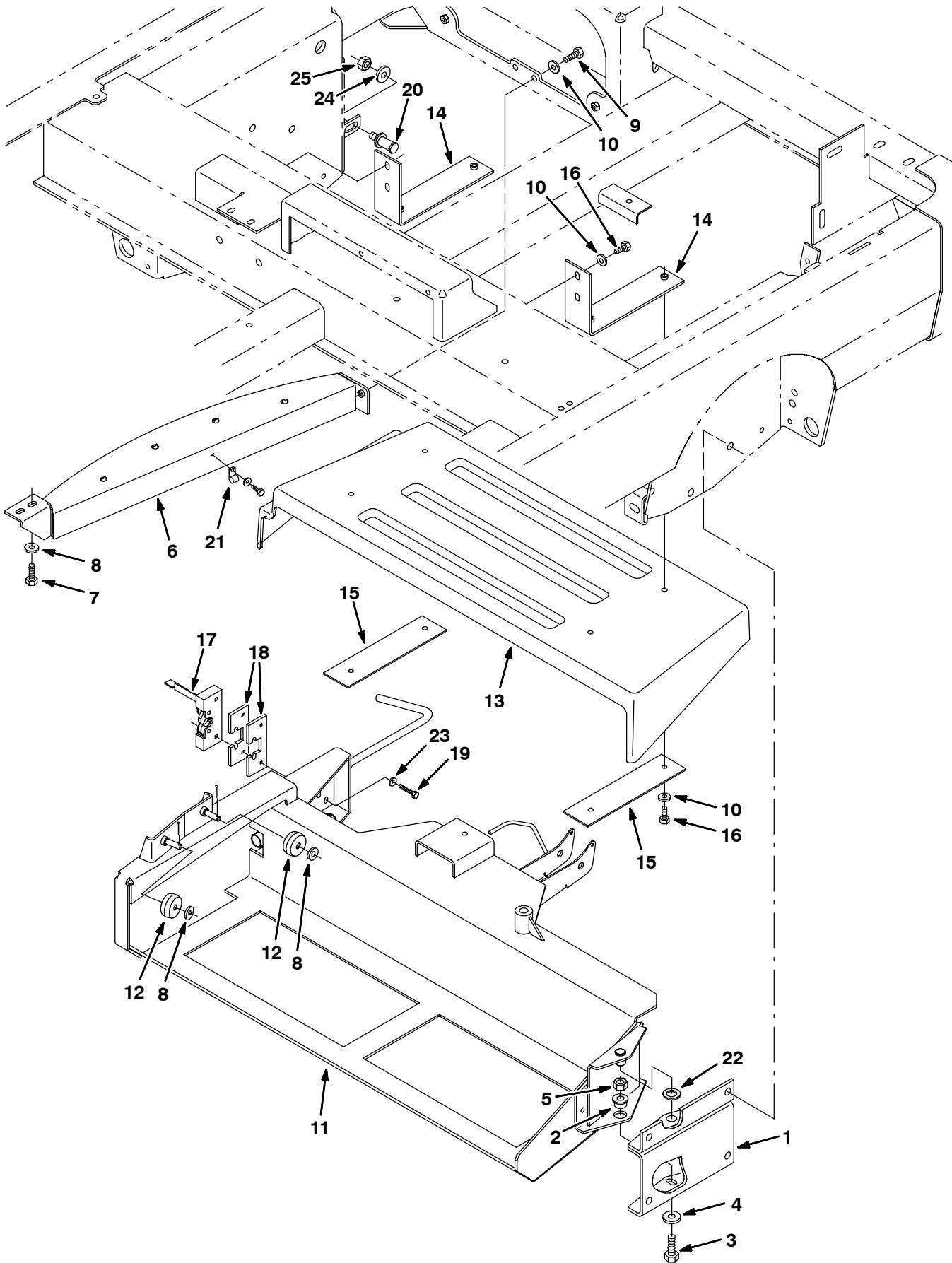


Fig. 57 - Scrub Head Debris Tray Frame Group

Ref.	Part No.	Serial Number	Description	Qty.
1	71121	(007000-) Pivot Wldt, Tray	1
2	391804	(007000-) Sleeve, Pivot, Lower	1
3	09029	(007000-) Scr Hexssm 12X1.75 40	1
4	41619	(007000-) Washer Flt .50 Ss	1
5	09741	(007000-) Nut-Hxlocnynmm12X1.75 Reg Ss	1
6	71251	(007000-) Bracket, Wheel, Tray	1
7	09028	(007000-) Scr Hexssm 10X1.5 25	2
8	01686	(007000-) Washer Flt .38 Ss	4
9	09010	(007000-) Scr-Hexssm 8X1.25 25	2
10	01685	(007000-) Washer Flt .31 Ss	10
11	71263	(007000-) Tray Wldt, Debris	1
12	71106	(007000-) Wheel, Tray, 1.75 Dia	2
13	71261	(007000-) Cover, Tray	1
14	71083	(007000-) Bracket, Cover	2
15	71084	(007000-) Plate, Cover	2
16	09740	(007000-) Scr Hexssm 8X1.25	8
17	59194	(007000-) Latch, Hook, Lh	1
18	25714	(007000-) Spacer, Latch	2
19	07805	(007000-) Scr Hexssm 6X1.0 35	4
20	59192	(007000-) Latch, Bolt	1
21	40678	(007000-) Clamp-Cable, 0.44D 0.62W Stl	1
22	53782	(007000-) Bearing-Thrust 0.75B 1.25D .06W	1
23	01684	(007000-) Washer Flt .25 Ss	4
24	41619	(007000-) Washer, Flat, 0.56b 1.38d .11, Ss	1
25	07788	(007000-) Nut, Hex, Std, M12 X 1.75, Ss	1

Fig. 58 - Scrub Head Debris Tray Trough Group

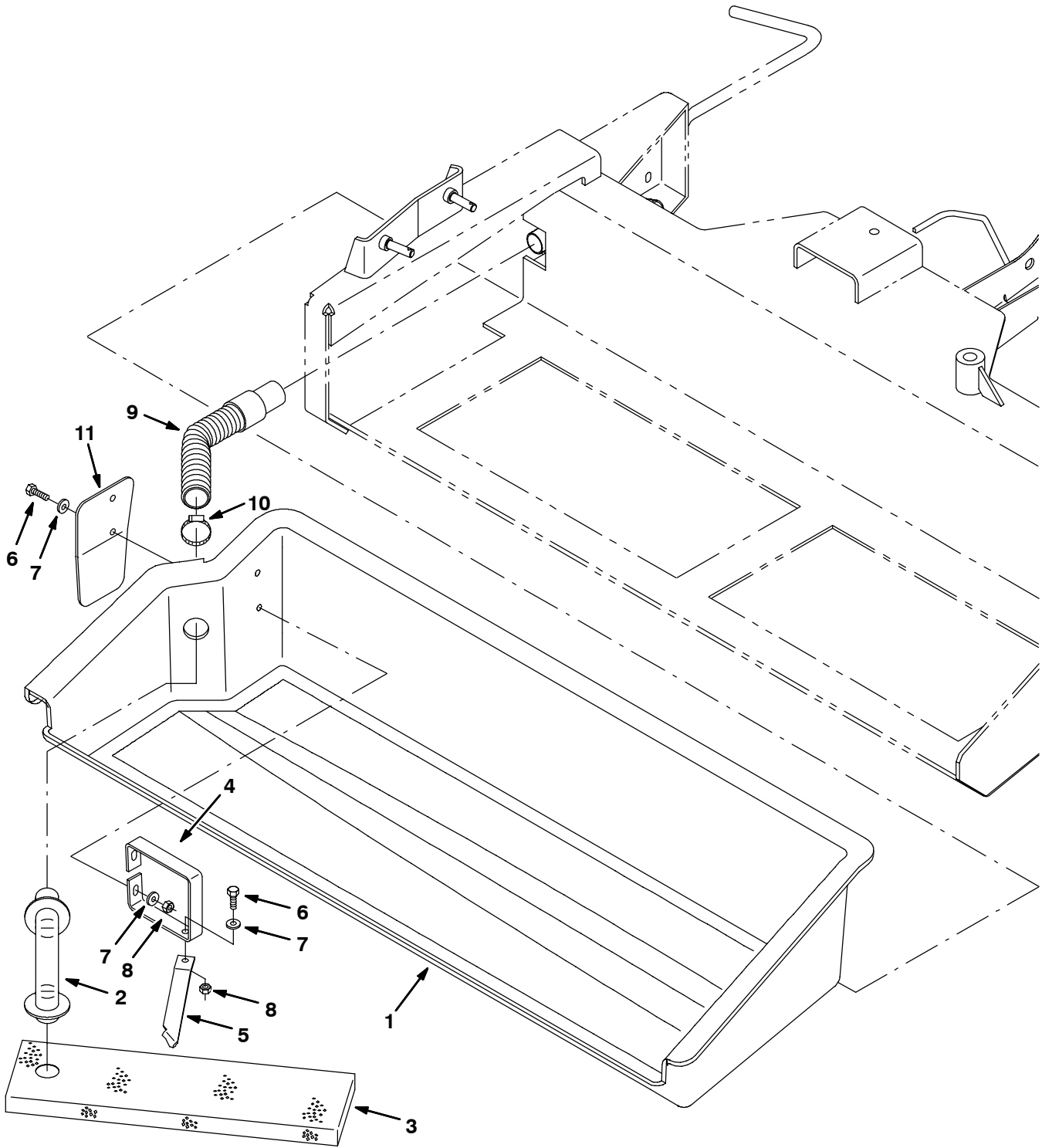


Fig. 58 - Scrub Head Debris Tray Trough Group

Ref.	Part No.	Serial Number	Description	Qty.
1	71260	(007000-) Tray, Debris	1
2	71082	(007000-) Tube Wldt, Vacuum	1
3	71375	(007000-) Filter Wldt, Tray	1
4	71115	(007000-) Bracket, Filter	1
5	59393	(007000-) Spring, Trough Screen	1
6	08716	(007000-) Screw, Hex Ssm 6 X 1.0 20	3
7	01684	(007000-) Washer Flt .25 Ss	5
8	08712	(007000-) Nut Hxlocnyln M 6X1.0 Reg Ss	3
9	71102	(007000-) Hose, Vacuum, Tray	1
10	11399	(007000-) Clamp-Wormdrive, 0.81- 1.50D	2
11	20889	(007000-) Plate, Support	1

Fig. 59 - Rear Squeegee Lift Group

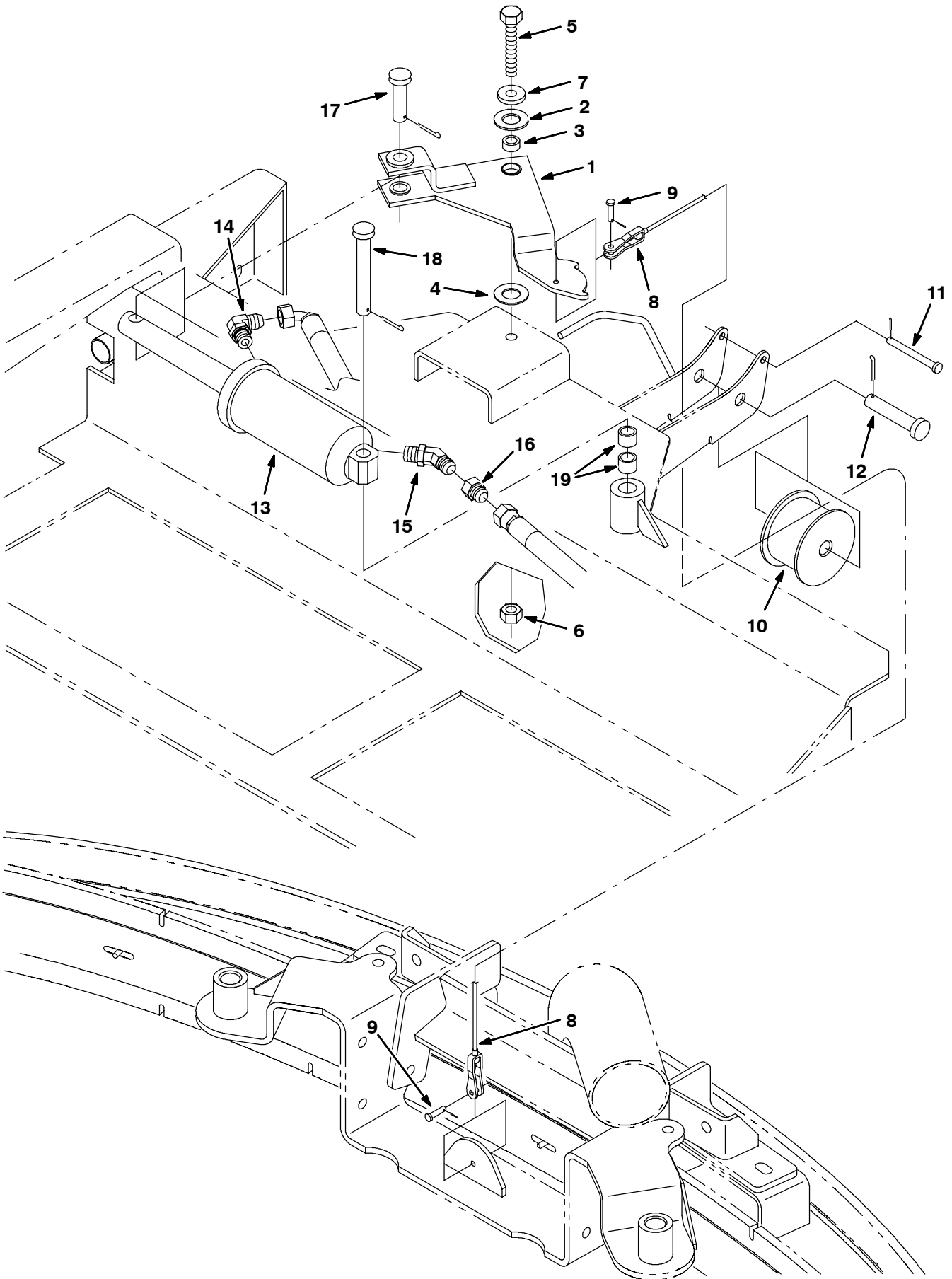


Fig. 59 - Rear Squeegee Lift Group

Ref.	Part No.	Serial Number	Description	Qty.
1	71104	(007000-) Bellcrank Wldt	1
2	64425	(007000-) Washer, .656B 1.25D .06	1
3	71658	(007000-) Sleeve, Bearing .62Od	1
4	07450	(007000-) Bearing, Thrust	1
5	04417	(007000-) Screw Hex Ssm 10X1.5	1
6	08714	(007000-) Nut-Hxlocnyln M10X1.5 Reg Ss	1
7	33948	(007000-) Washer, Flat .38	1
8	71101	(007000-) Cable, Sq Lift, Metric	1
9	77488	(007000-) Pin,Clevis,0.19 Dia.X 0.62 Lg	2
10	223054	(007000-) Drum, Lift Cable	1
11	04733-10	(007000-) Pin, Clevis,0.25 Dia X 2.44 Lg	1
12	06279	(007000-) Pin,Clevis,0.50 Dia.X 2.50 Lg	1
13	1028042	(007000-) Cylinder, Hyd, 2.0b 08.0l 04.00strk 2500	1
14	77097	(007000-) Ftg-Hyd E90 Jm04/Om04	1
15	34359	(007000-) Ftg-Hyd E45 Jm04/Om04	1
16	16456	(007000-) Ftg-Hyd Rst Jm04/.063	1
17	51534	(007000-) Pin,Clevis,0.50 Dia.X 2.00 Lg	1
18	06474A	(007000-) Pin, Clevis, 0.50Dia. X3.50Lg	1
19	63233	(007000-) Bushing, Sleeve, 0.50b 0.59d 0.50l, Bnz	2

Fig. 60 - Rear Squeegee Linkage Group

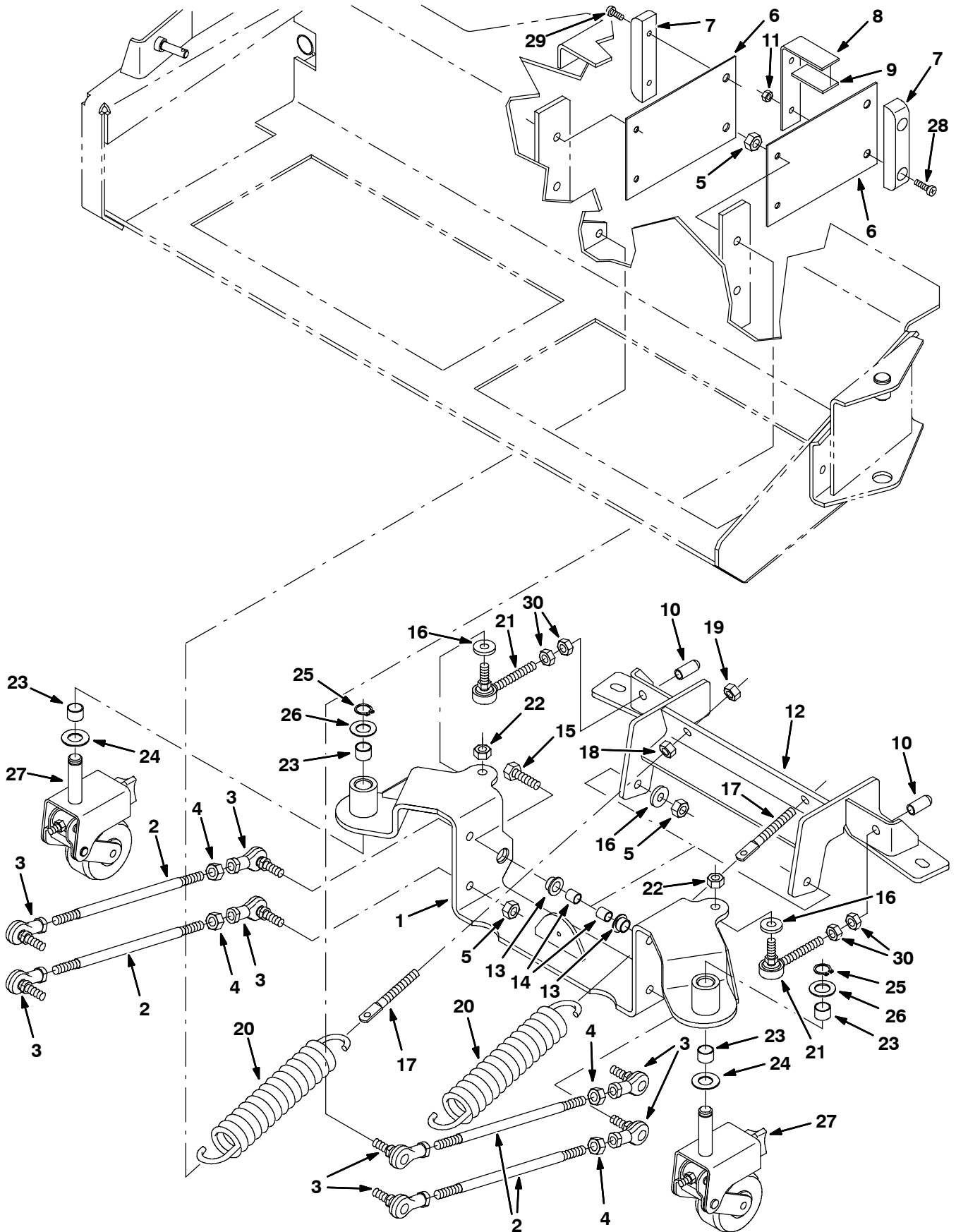


Fig. 60 - Rear Squeegee Linkage Group

Ref.	Part No.	Serial Number	Description	Qty.
▽	369897	(007000-) Kit, Repair, Linkage, Squeegee	1
▲	1 71242	(007000-) Bracket Wldt, Sq Main	1
▲	2 71113	(007000-) Rod, Threaded	4
▲	3 05686	(007000-) Rod End M10 X1.5 W/Stud	8
▲	4 32716	(007000-) Nut Hx, Jam M10X 1.5Ss	4
▲	5 08714	(007000-) Nut-Hxlocnyln M10X1.5 Reg 18-8	10
▲	6 71204	(007000-) Spring, Centering	2
▲	7 71211	(007000-) Block, Centering	2
▲	8 25804	(007000-) Bracket, Stop	1
▲	9 25819	(007000-) Pad, Neoprene	1
▲	10 20806	(007000-) Cap, Neoprene, Black	2
▲	11 08712	(007000-) Nut Hxlocnyln M 6X1.0 Reg Ss	4
▲	12 71248	(007000-) Bracket Wldt, Sq Secondary	1
▲	13 25735	(007000-) Bearing, Flange .625Bx .38	2
▲	14 71257	(007000-) Tube, 0.62d 0.41b 0.5l, Ss, Cham	2
▲	15 77347	(007000-) Screw Hexssm10X1.5 35	2
▲	16 01686	(007000-) Washer Flt .38 Ss	4
▲	17 11843	(007000-) Bolt-Eye, .38-16Th .28B 3.22L	2
▲	18 01692	(007000-) Nut Hx Std Ss .38-16	2
▲	19 59156	(007000-) Nut-Hxlocnyln .38-16 Regss18-8	2
▲	20 71100	(007000-) Spring, Tension	2
▲	21 71210	(007000-) Baljoint, 3/8-24	2
▲	22 50269	(007000-) Nut, Hex, Lock, .38-24, Ni, Ss	2
▲	23 07449	(007000-) Bearing, Fiberglide	4
▲	24 64425	(007000-) Washer, .656B 1.25D .06	2
▲	25 33373	(007000-) Ring, Retain,Ex,0.62Od,Heavydt	2
▲	26 63468	(007000-) Washer, .687B 1.19D .06Cr. Cad	2
▲	27 71245	(007000-) Caster, Squeegee	2
▲	28 09007	(007000-) Screw, Hex, M6 X 1.0 X 25, Ss	2
▲	29 08716	(007000-) Screw, Hex, M6 X 1.0 X 20, Ss	2
▲	30 02939	(007000-) Nut, Hex, Std, .38-24, Ss	4

Fig. 61 - Rear Squeegee Assembly

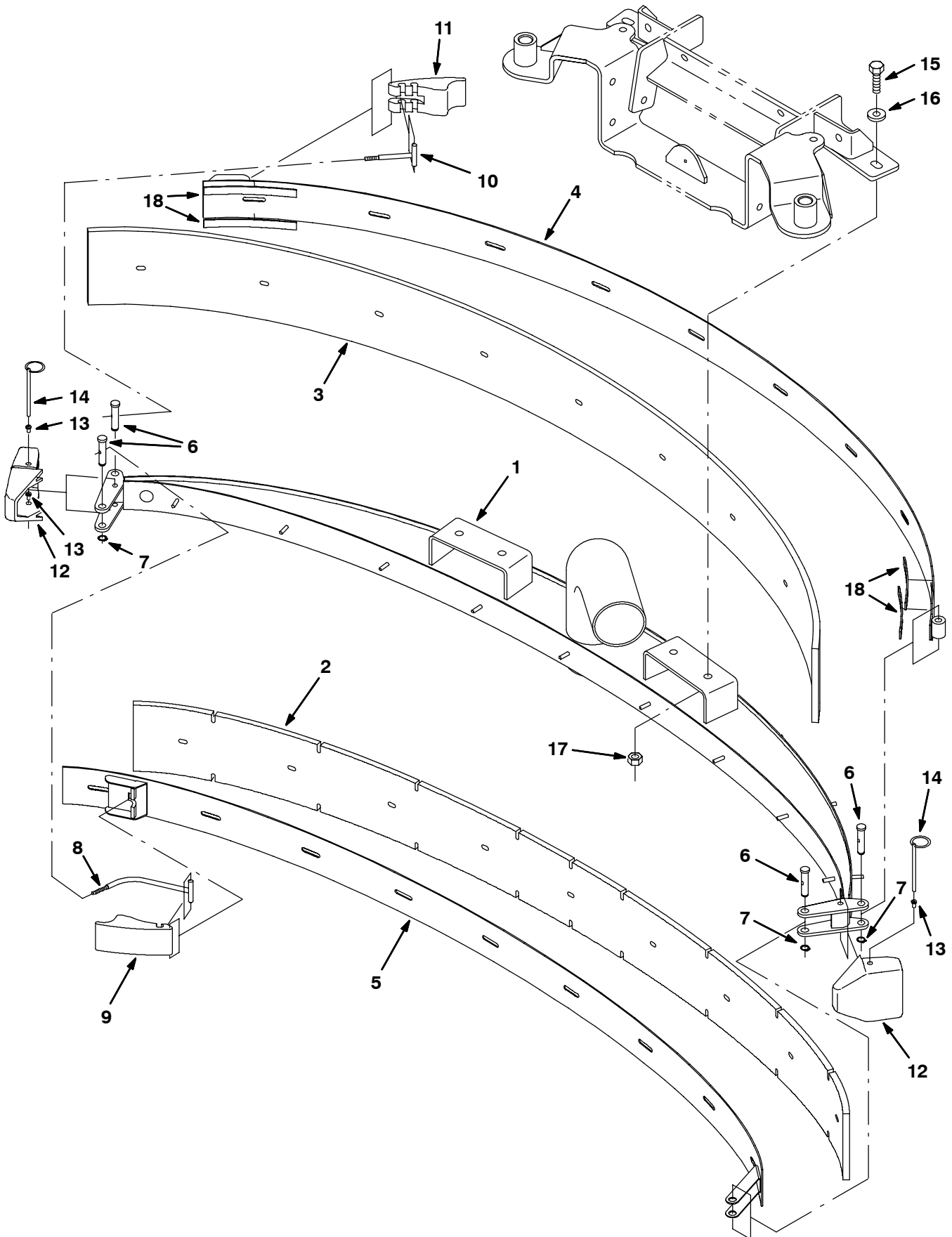


Fig. 61 - Rear Squeegee Assembly

Ref.	Part No.	Serial Number	Description	Qty.
▽	25791	(007000-) Squeegee Assy, Rear	1
▲	1 71254	(007000-) Squeegee Wldt	1
▲	2 71255	(007000-) Blade, Squeegee, Front	1
▲	3 71256	(007000-) Blade, Squeegee, Rear	1
▲	4 21597	(007000-) Strip Wldt, Rear Retainer	1
▲	5 21600	(007000-) Strip Wldt, Front Retainer	1
▲	6 21603	(007000-) Pin	4
▲	7 24555	(007000-) E-Ring, External .375 Dia	4
▲	8 21608	(007000-) Pin Wldt, Front	1
▲	9 21601	(007000-) Cam, Front	1
▲	10 21606	(007000-) Pin Wldt, Rear	1
▲	11 21602	(007000-) Cam, Rear	1
▲▽	21614	(007000-) Bumper Kit, Squeegee	2
▲▲	12 21586	(007000-) Bumper, Squeegee	2
▲▲	13 79219	(007000-) Retainer	4
▲▲	14 71199	(007000-) Pin, Hitch, .19Dia X 3.44 L	2
▲	15 09028	(007000-) Scr Hexssm 10X1.5 25	4
▲	16 01686	(007000-) Washer Flt .38 Ss	4
▲	17 08714	(007000-) Nut-Hxlocnyln M10X1.5 Reg 18-8	4
▲	18 03495	(007000-) Strip, Non Slip	4

Fig. 62 - Rear Squeegee Caster Assembly

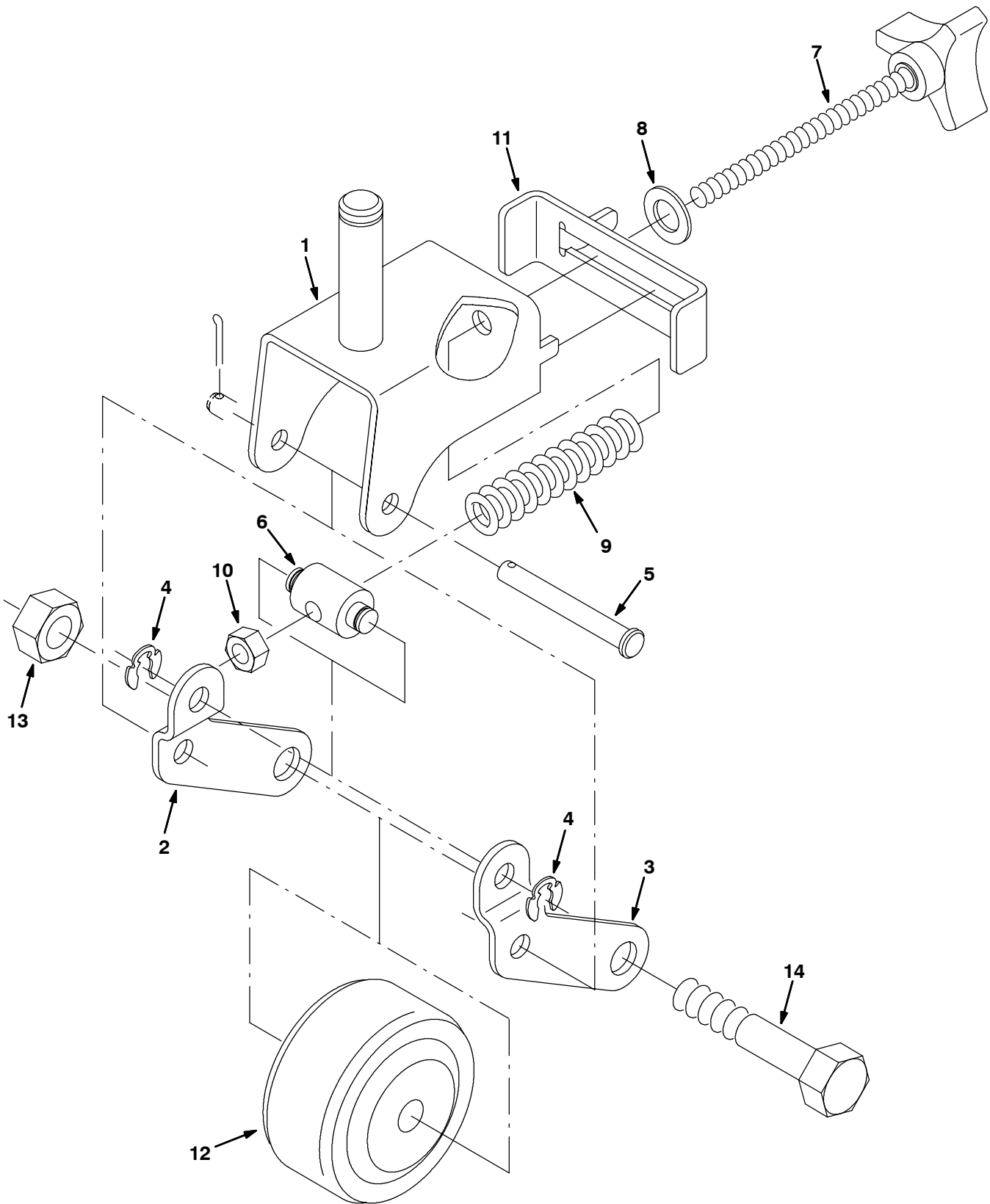


Fig. 62 - Rear Squeegee Caster Assembly

Ref.	Part No.	Serial Number	Description	Qty.
▽	71245	(007000-) Caster Assy, Squeegee, Rear	1
▲	1 71117	(007000-) Bracket Wldt, Caster, Adj.	1
▲	2 71123	(007000-) Arm, Linkage, R.H.	1
▲	3 71124	(007000-) Arm, Linkage, L.H.	1
▲	4 12364	(007000-) Ring,Retain,Ex,0.375D,Klipring	2
▲	5 71274	(007000-) Pin, Clevis .31D X 2.5L	1
▲	6 71126	(007000-) Block	1
▲	7 71090	(007000-) Knob, Caster	1
▲	8 32490	(007000-) Washer, Flat,II .25 Hard	1
▲	9 71209	(007000-) Spring Comp 0.660Dx.09Wire3.5L	1
▲	10 08713	(007000-) Nut-Hxlocnyln M 8X1.25 Reg Ss	1
▲	11 71202	(007000-) Bracket, Caster Lock	1
▲	12 20833	(003661-) Wheel, 3 Inch Dia.	1
▲	13 02931	(007000-) Nut-Hxlocnyln .50-13 Regss18-8	1
▲	14 81952	(007000-) Scr-Hex .50 13 X 3.00 Ss	1

Fig. 63 - FaST Air Pump and Detergent Group

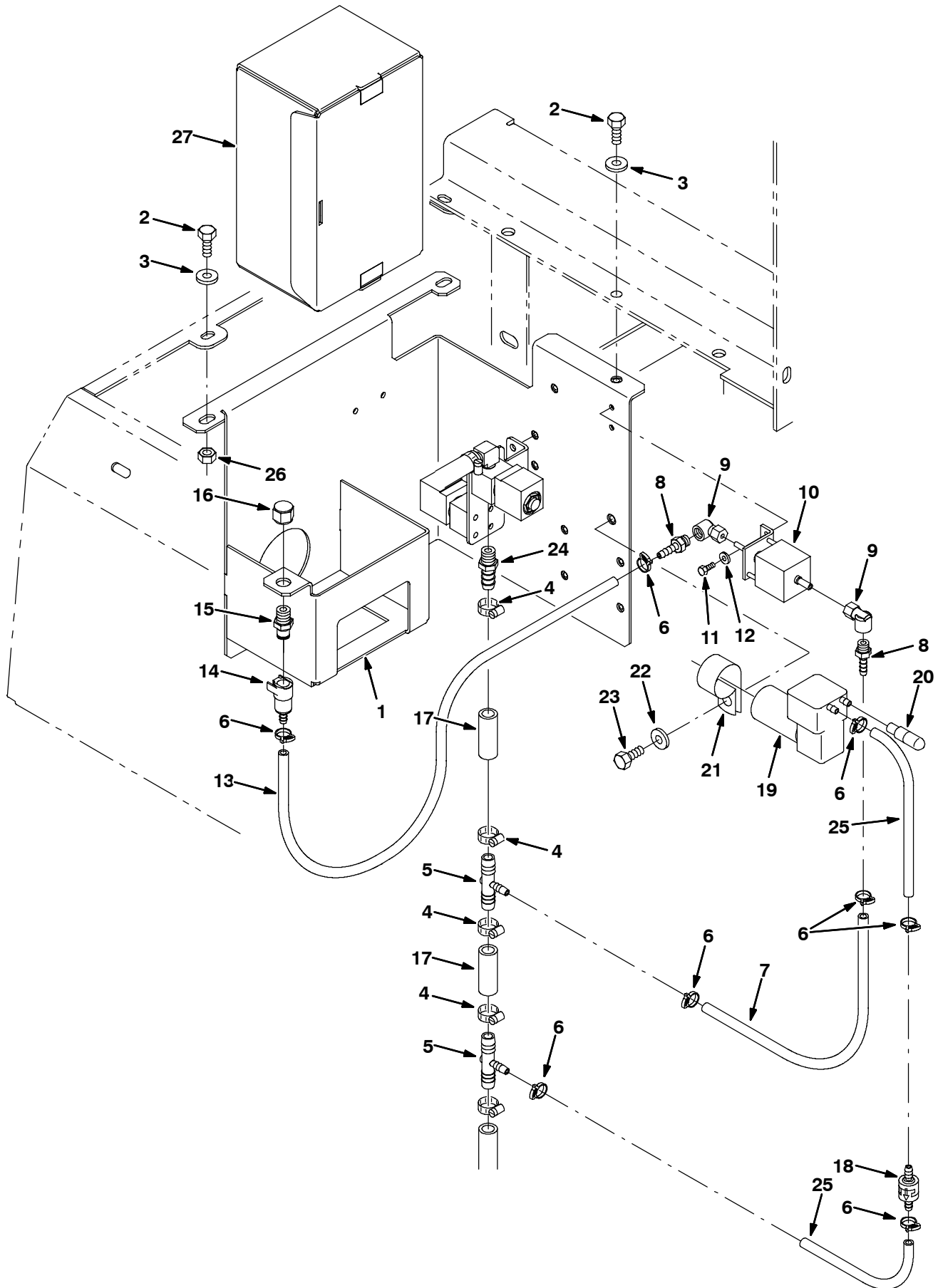


Fig. 63 - FaST Air Pump and Detergent Group

Ref.	Part No.	Serial Number	Description	Qty.
1	1019209	(007549-) Bracket Wldt, Mtg, Pump	1
2	09740	(007549-) Screw, Hex, M8 X 1.25 X 20, Ss	3
3	01685	(007549-) Washer, Flat, 0.31 Ss	3
4	54333	(007549-) Clamp, Hose, Wormdrive, 0.31-0.88d, .31w	4
5	1010684	(007549-) Fitting, Plstc, Tee, Bm08/Bm04/Bm08	2
6	1014575	(007549-) Clamp, Hose, Plstc .351-.394 Id	8
7	1014986	(007549-) Hose, Afmkt, Pvc, Clr 0.25id 2ft	1
8	150525	(007549-) Fitting, Brs, Str, Pm02/Bm04	2
9	1014082	(007549-) Fitting, Brs, E90, Cf03/Pf02	2
10	1018097	(007549-) Pump, Detgt, 12vdc [560s]	1
11	09206	(007549-) Screw, Hex, M4 X 0.7 X 12, 8.8	2
12	41579	(007549-) Washer, Flat, #8, Ss	2
13	1006415	(007549-) Hose, Afmkt, Pvc, Clr 0.25id 3ft	1
14	1002898	(007549-) Fitting, Plstc, Str, Bm04, Cplg, Fem	1
15	1002899	(007549-) Fitting, Plstc, Str, Pm04, Cplg, Mal	1
16	1005435	(007549-) Fitting, Plstc, Pipe, Cap, Pf04	1
17	1011403	(007549-) Hose, Afmkt, Pvc, Brd 0.50id 1ft	2
18	1013902	(007549-) Valve, Check, 2gpm 2psi Bm04/Bm04	1
19	1018780	(007549-) Pump, Air, Ele, 12vdc	1
20	1005255	(007549-) Filter Assy, Air, Molded Ure	1
21	53466	(007549-) Clamp, Cable, Stl, 1.50d X 1.00w, 1h	1
22	32491	(007549-) Washer, Flat, 0.31 Std	1
23	09010	(007549-) Screw, Hex, M8 X 1.25 X 25, Ss	1
24	762249	(007549-) Fitting, Brs, Str, Pm04/Bm08	1
25	1014987	(007549-) Hose, Afmkt, Pvc, Clr 0.25id 1ft	2
26	08709	(007549-) Nut, Hex, Lock, M8 X 1.25, NI	2
27	1021878	(007549-) Detergent Pkg, 4 Liter, Sgl [Tco 665]	1

Fig. 64 - FaST Foam Filter Group

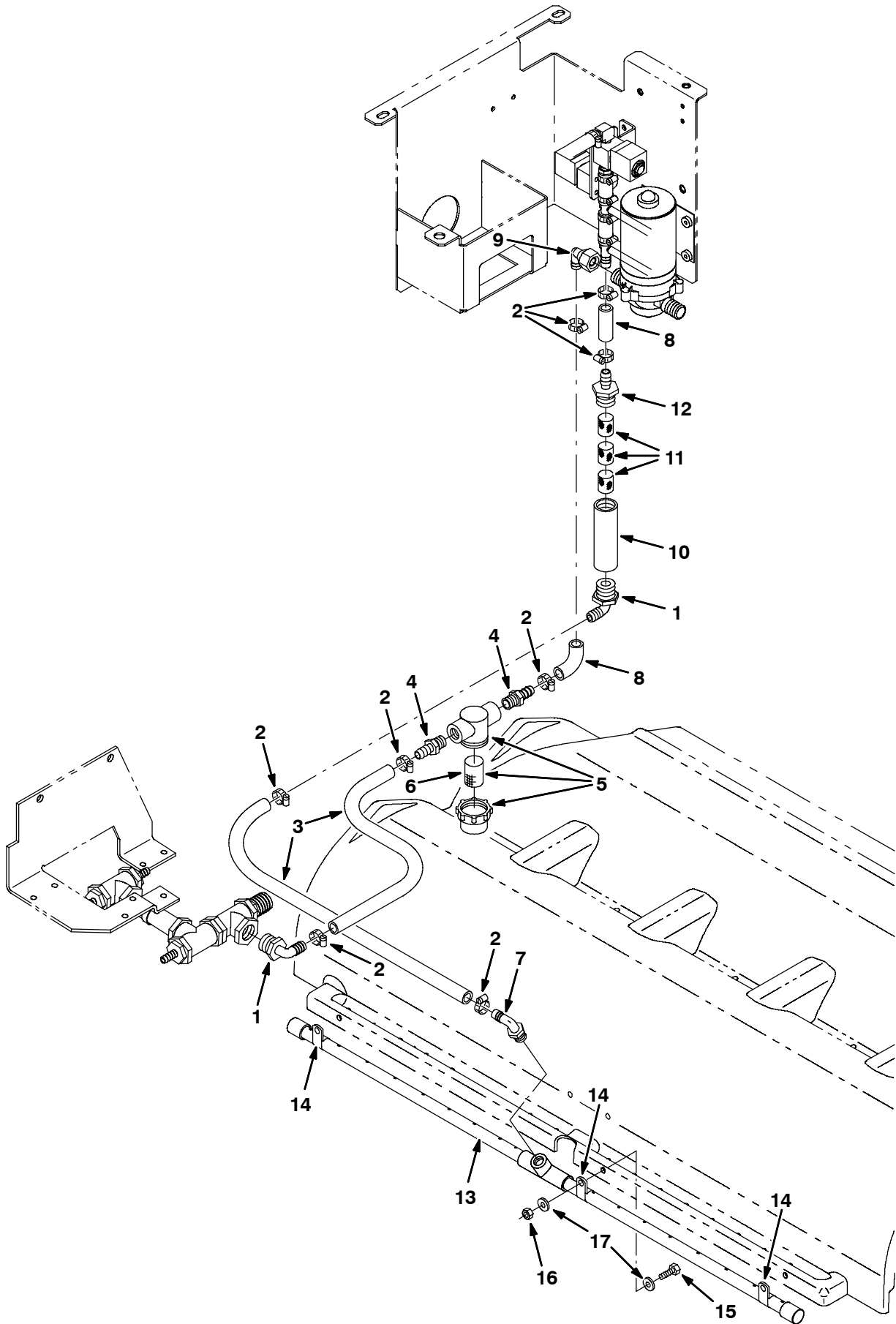


Fig. 64 - FaST Foam Filter Group

Ref.	Part No.	Serial Number	Description	Qty.	
1	1005552	(007549-) Fitting, Plstc, E90, Bm08/Pm12, Nyl	2	
2	54333	(007549-) Clamp, Hose, Wormdrive, 0.31-0.88d, .31w	8	
3	1006401	(007549-) Hose, Afmkt, Pvc, Brd 0.50id 3ft	2	
4	64743	(007549-) Fitting, Plstc, Str, Bm08/Pm06	2	
▽	5	1005302	(007549-) Filter, Inline, Pf06/Pf06, 80 Mesh	1
▲	6	1005304	(007549-) Screen, Fltr, 80 Mesh	1
7	64778	(007549-) Fitting, Plstc, E90, Bm08/Pm06	1	
8	1011403	(007549-) Hose, Afmkt, Pvc, Brd 0.50id 1ft	2	
9	1018499	(007549-) Fitting, Plstc, E90, Swivel, Bm08/Pf08s	1	
10	1005086	(007549-) Tube, Pvc, Shc80, Clr, 4.0l	1	
11	1002789	(007549-) Filter, Foam	3	
12	79273-1	(007549-) Fitting, Plstc, Str, Bm08/Pm12	1	
13	1018337	(007549-) Tube Assy, Spray, Cyl, 1000mm [7400]	1	
14	67767	(007549-) Clamp, Cable, Stl, 0.69d X 0.62w, 1h	3	
15	08716	(007549-) Screw, Hex, M6 X 1.0 X 20, Ss	3	
16	08712	(007549-) Nut, Hex, Lock, M6 X 1.0, Ss, NI	3	
17	01684	(007549-) Washer, Flat, 0.25 Ss	6	

Fig. 65 - FaST Solution Pump Group

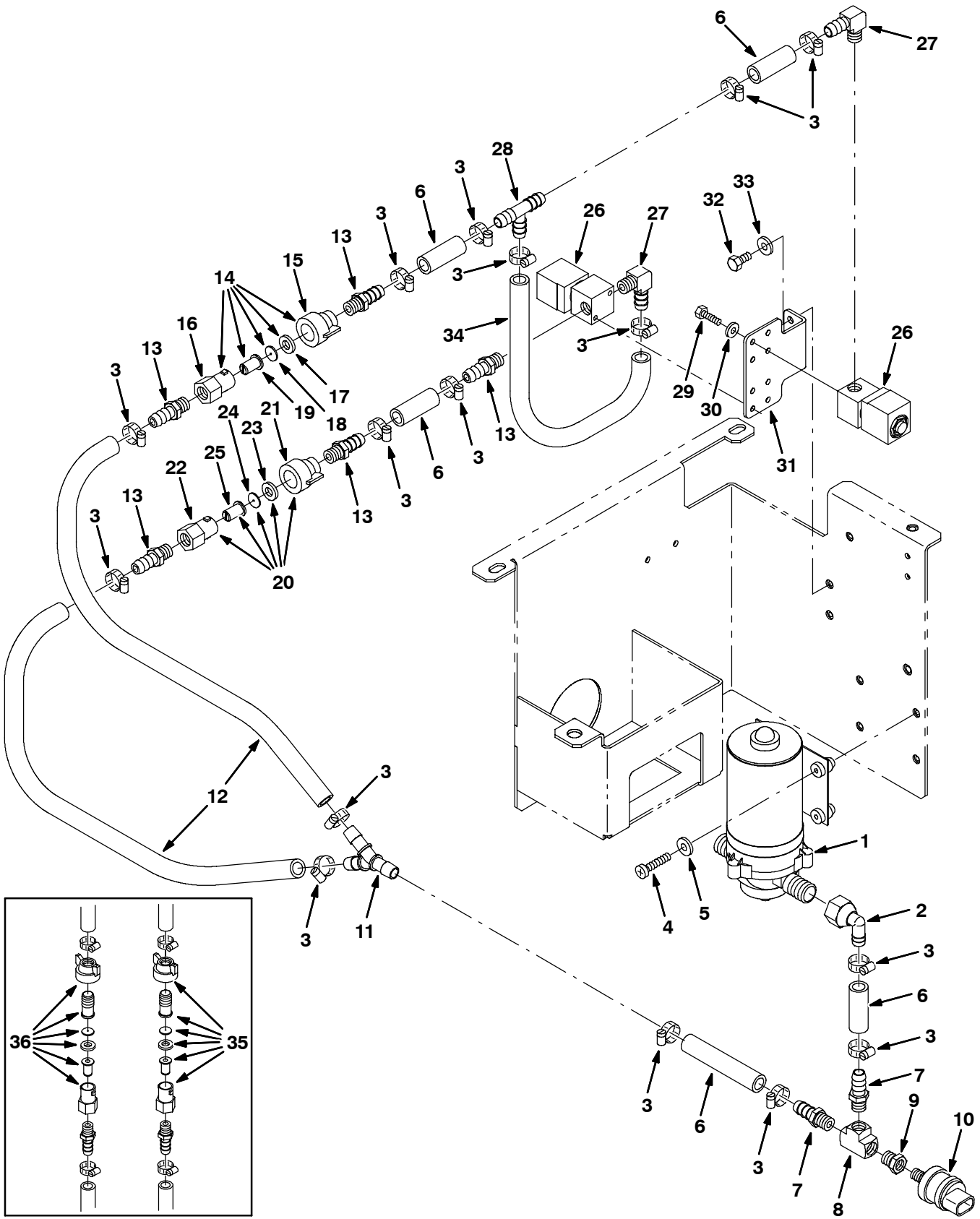


Fig. 65 - FaST Solution Pump Group

Ref.	Part No.	Serial Number	Description	Qty.
1	1018040	(007549-008085)	Pump, Soltn, Ele, 12vdc	1
1	1030878	(008086-)	Pump, Soltn, Ele, 12vdc [W/O Chk Valve]	1
2	1018499	(007549-)	Fitting, Plstc, E90, Swivel, Bm08/Pf08s	1
3	54333	(007549-)	Clamp, Hose, Wormdrive, 0.31-0.88d, .31w	16
4	32746	(007549-)	Screw, Pan, M6 X 1.0 X 35, Ss	4
5	01684	(007549-)	Washer, Flat, 0.25 Ss	4
6	1011403	(007549-)	Hose, Afmkt, Pvc, Brd 0.50id 1ft	5
7	1010775	(007549-)	Fitting, Plstc, Str, Bm08/Pm04 Nyl	2
8	398474	(007549-)	Fitting, Brs, Tee, Pf04/Pf04/Pf04	1
9	150100	(007549-)	Fitting, Brs, Str, Pf02/Pm04	1
10	1028582	(007549-)	Switch, Press, 0010psi Spst	1
11	1010668	(007549-)	Fitting, Plstc, Y, Bm08/Bm08/Bm08 Nyl	1
12	1011521	(007549-)	Hose, Afmkt, Pvc, Brd 0.50id 2ft	2
13	1010775	(008086-)	Fitting, Plstc, Str, Bm08/Pm04, Nyl	5
▽	14	1030864	(008086-) Fitting Assy, Orifice, 0.070b, Pf04/Pf04	1
▲	15	1005506	(008086-) Fitting, Plstc, Cap, Spray, Pf04	1
▲	16	1005507	(008086-) Fitting, Plstc, Body, Spray, Pf04	1
▲	17	1005508	(008086-) Washer, Flat, 0.34b 0.75d .12, Viton	1
▲	18	1018883	(008086-) Plate, Orifice, 0.070id	1
▲	19	1006447	(008086-) Screen, 50 Mesh, Ss	1
▽	20	1030863	(008086-) Fitting Assy, Orifice, 0.093b, Pf04/Pf04	1
▲	21	1005506	(008086-) Fitting, Plstc, Cap, Spray, Pf04	1
▲	22	1005507	(008086-) Fitting, Plstc, Body, Spray, Pf04	1
▲	23	1005508	(008086-) Washer, Flat, 0.34b 0.75d .12, Viton	1
▲	24	1018884	(008086-) Plate, Orifice, 0.093id	1
▲	25	1006447	(008086-) Screen, 50 Mesh, Ss	1
	26	1018098	(007549-) Valve, Water, 12vdc, 6.0mm, 04pf	2
	27	1010836	(007549-) Fitting, Brs, E90, Pm04/Bm08	2
	28	63245-1	(007549-) Fitting, Plstc, Tee, Bm08/Bm08/Bm08	1
	29	09252	(007549-) Screw, Hex, M5 X 0.8 X 20, 8.8	4
	30	19066	(007549-) Washer, Flat, #10	4
	31	1013857	(007549-) Bracket, Mtg, Valve, Solenoid	1
	32	06942	(007549-) Screw, Hex, M6 X 1.0 X 16, 8.8	2
	33	01684	(007549-) Washer, Flat, 0.25 Ss	2
	34	1024020	(007549-) Hose, Afmkt, Pvc, Wire 0.50id 1ft	1
	35	9002438	(007549-008085) Fitting Assy, Orifice [.070b] F/ 1018533	1
	36	9002439	(007549-008085) Fitting Assy, Orifice [.093b] F/ 1018467	1

Fig. 66 - FaST Electrical Group

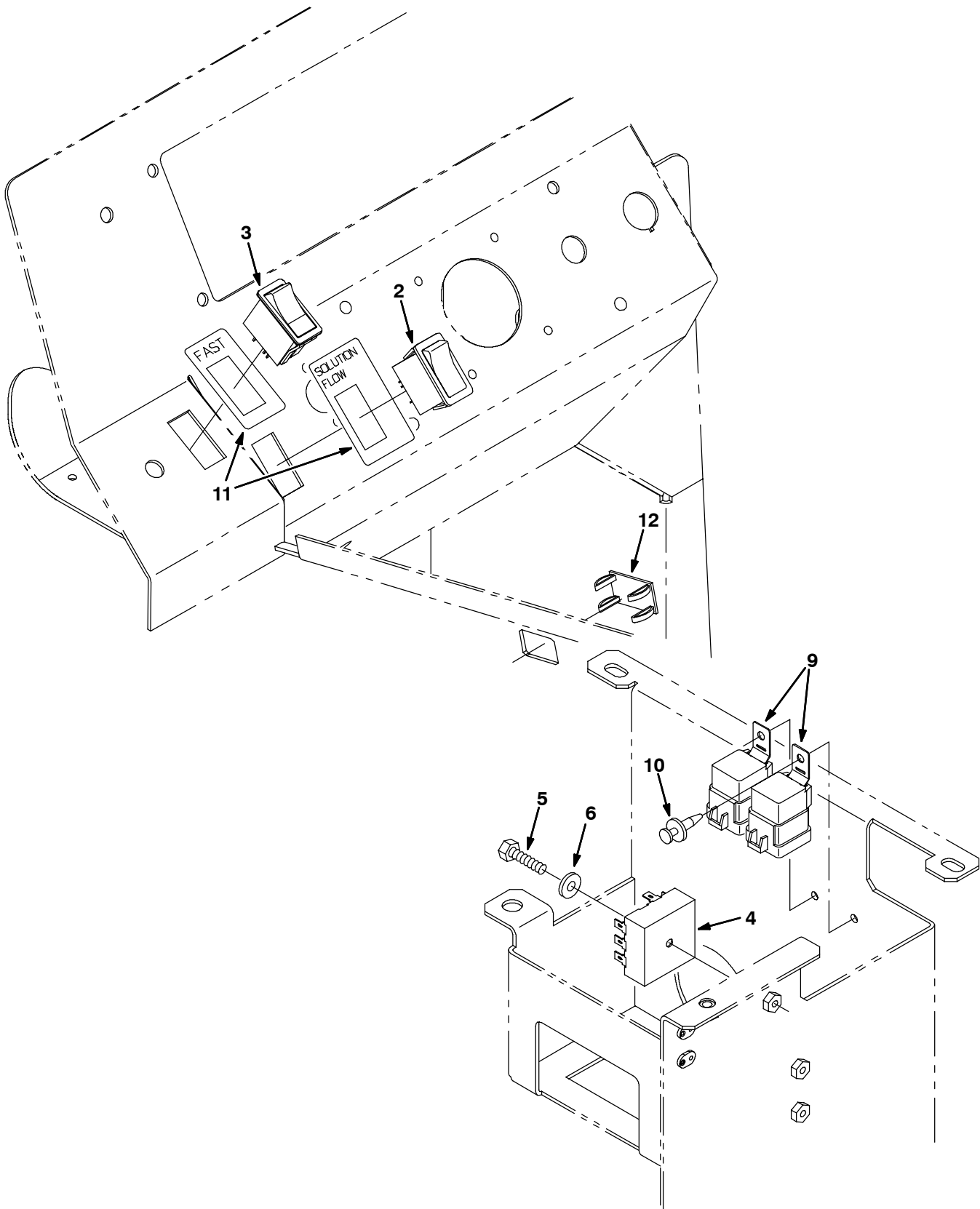


Fig. 66 - FaST Electrical Group

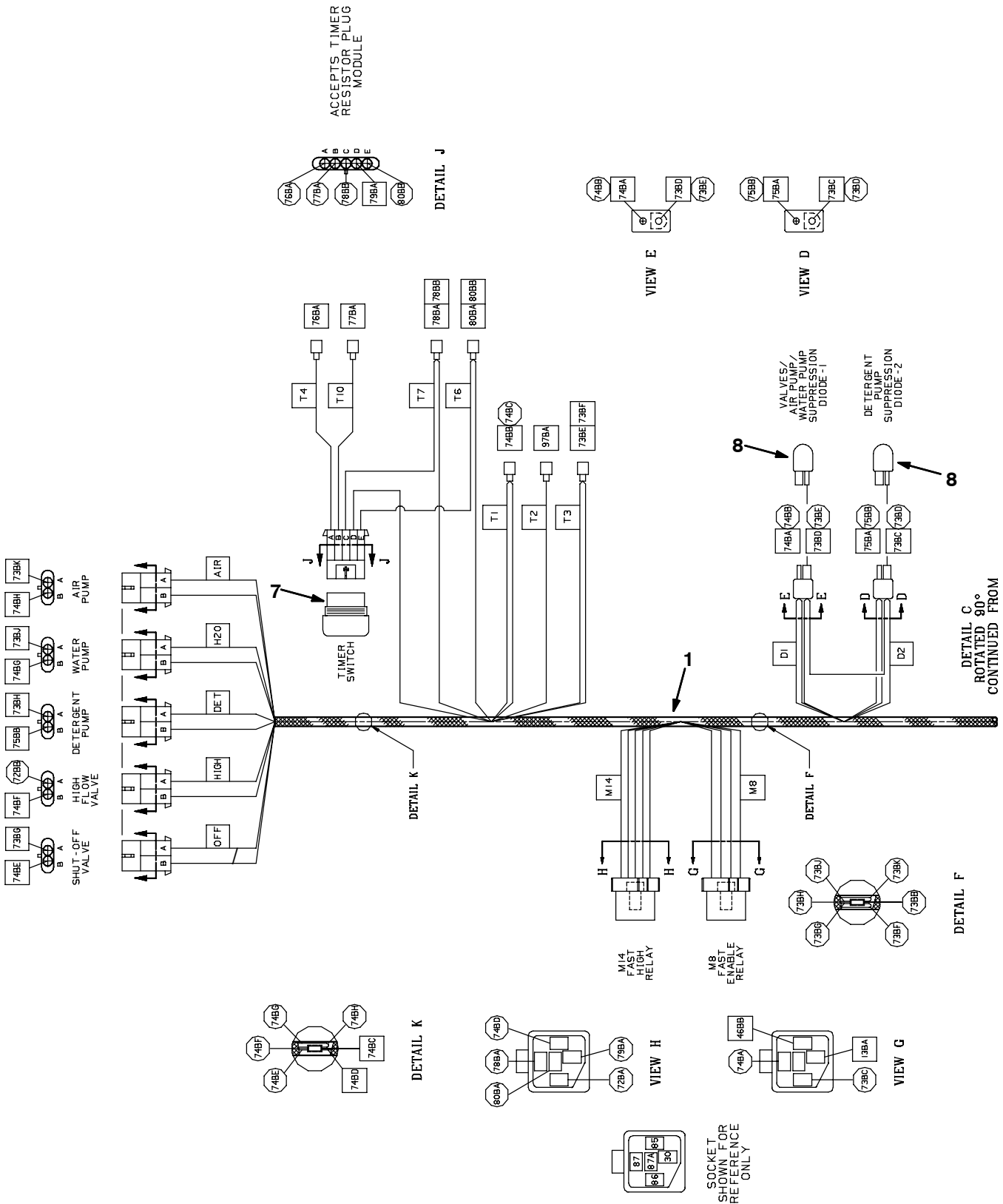
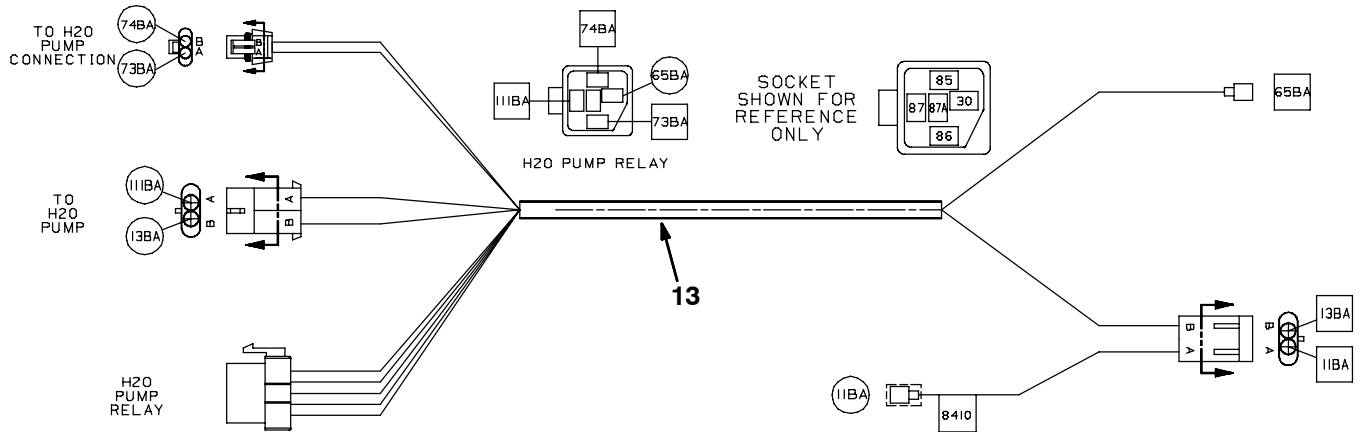


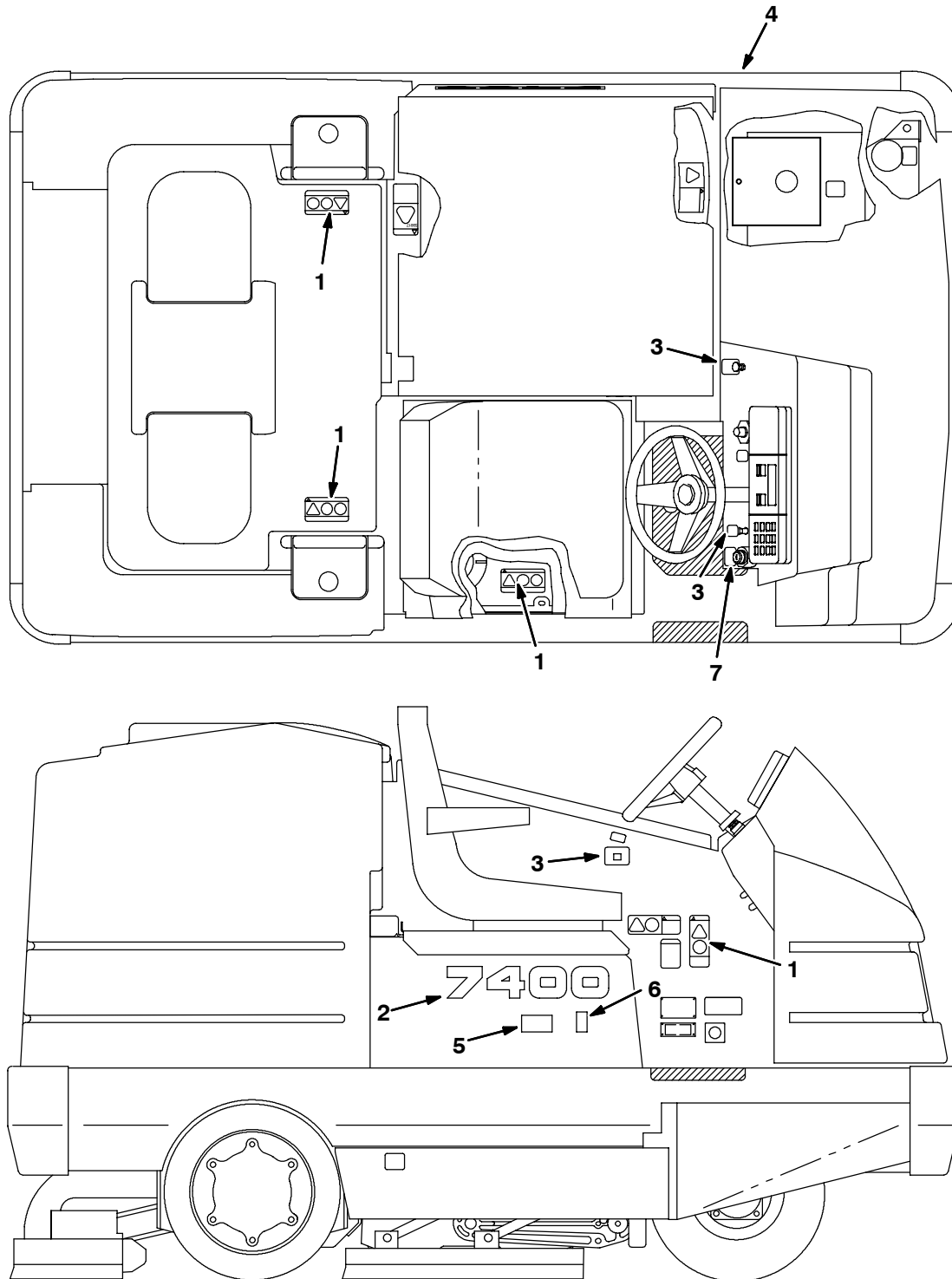
Fig. 66 - FaST Electrical Group



354326, 354327 - ALL

Ref.	Part No.	Serial Number	Description	Qty.
1	391939	(007549-) Harness, Jumper [Fast 7400]	1
2	377084	(007549-) Switch, Rocker, 36vdc 05a Progressive	1
3	397889	(007549-) Switch, Rocker, 36vdc 05a Dpst On/N/On	1
4	1028580	(007549-) Timer, 9-41vdc, Recycling	1
5	06945	(007549-) Screw, Hex, M6 X 1.0 X 30, 8.8	1
6	01684	(007549-) Washer, Flat, 0.25 Ss	1
7	1015096	(007549-) Resistor Assy W / 5 Pin Plug	1
8	222290	(007549-) Diode, Ele, Plug	3
9	56186	(007549-) Relay, 12vdc, 40a, Spdt N/O [Potter]	2
10	72970	(007549-) Rivet, Plstc, .250d X 0.898	2
11	1020195	(007549-) Label Set, Opertnl [7400 Fast]	1
12	57772	(007549-) Button, Plug, Switch, 1.45 X 0.83 Hole	1
13	1031405	(007549-) Harness [7400/8410 Fast Update]	1

Fig. 67 - Label Group



10799 - NA

Ref.	Part No.	Serial Number	Description	Qty.
1	25817	(007000-) Label Set, Info & Hzd 7400	1
2	71499	(007000-) Label, Numerals 7400	2
3	71491	(007000-) Label Set, Operational	1
4	1017141	(007000-) Label Set, Hi Temp	1
5	1005416	(007549-) Label, Fast	1
6	1015012	(007549-) Label [Nfsi Certification]	1
7	1020434	(007549-) Label, Caution [Apply Parking Brake]	1

SECTION 3

Contents	Page
Fig. 1 - Flashing Light Kit, Overhead Guard	3-2
Fig. 2 - Revolving Light Kit, Overhead Guard	3-4
Fig. 3 - Flashing Light Kit, LRC	3-6
Fig. 4 - Revolving Light Kit, LRC	3-8
Fig. 5 - ES and Auto Fill Group	3-10
Fig. 6 - ES Pump Column Group	3-12
Fig. 7 - ES Detergent Tank Group	3-14
Fig. 8 - Backup Alarm Group	3-16
Fig. 9 - Side Brush Mount Group	3-18
Fig. 10 - Side Brush Motor Group	3-20
Fig. 11 - Side Brush Hydraulic Group	3-22
Fig. 12 - Side Brush Hydraulic Hose Group	3-24
Fig. 13 - Side Brush FaST Foam Filter Group	3-26
Fig. 14 - Muffler Group, Non-Catalytic (007000-008999)	3-28
Fig. 15 - Urethane Side Brush Squeegee Assembly	3-30
Fig. 16 - Overhead Guard Kit	3-31
Fig. 17 - Fire Extinguisher Kit	3-32
Fig. 18 - Protectoseal Fuel Tank Cap Group (007000-008999)	3-33
Fig. 19 - Seat Belt Kit	3-34
Fig. 20 - Grammer Seat Kit	3-35
Fig. 21 - Solid High Traction Tire Group	3-36
Fig. 22 - Solid Turf Tire and Wheel Assembly	3-37
Fig. 23 - Solid Non Marking Tire and Wheel Assembly	3-38
Fig. 24 - Solid Non Marking Turf Tire and Wheel Assembly	3-39
Fig. 25 - Urethane Squeegee Blade Kit	3-40
Fig. 26 - Positive Solution Control Drain Kit, Std	3-41
Fig. 27 - Positive Solution Control Drain Kit, ES	3-42
Fig. 28 - Squeegee Wand Kit	3-43
Fig. 29 - Transport Group	3-44
Fig. 30 - Heavy Duty Air Filter Kit	3-45
Fig. 31 - Documentation Group	3-46

Fig. 1 - Flashing Light Kit, Overhead Guard

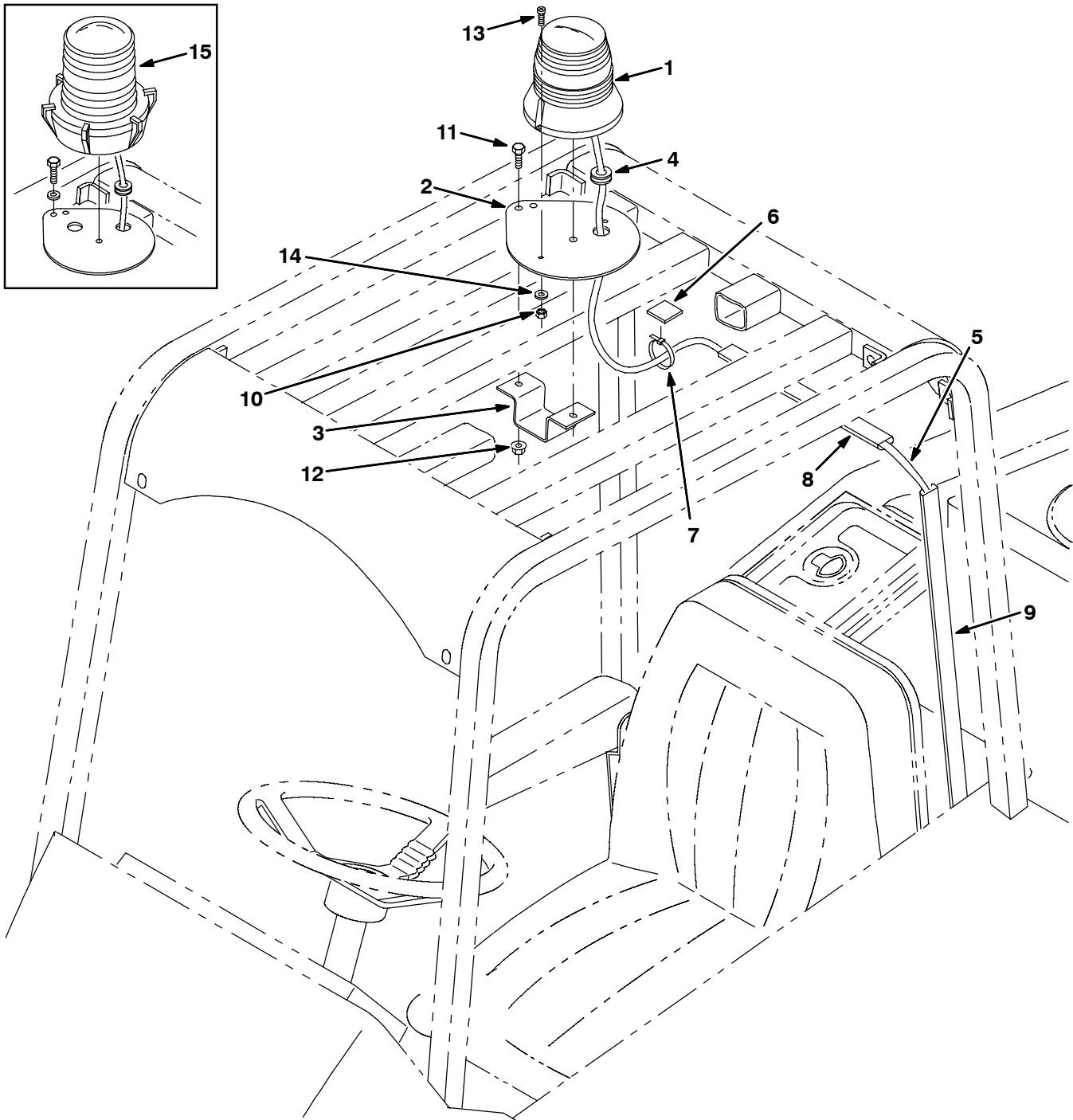


Fig. 1 - Flashing Light Kit, Overhead Guard

9000846

	Ref.	Part No.	Serial Number	Description	Qty.
▽		25761	(007000-) Light Kit Flsh Ohg	1
▲▽	1	1017248	(007434-) Light, Flsh, Amb, 12-48 Vdc	1
▲▲		9000879	(007434-) Vr, Lens, Lamp, Amb, Strobe/Flasher	1
▲▲		9000845	(007434-) Vr, Lamp, Bulb, Lamp, Flsh	1
▲		29192	(007434-) Terminal, Ring, .250, 16/14 Awg	1
▲		55272	(007434-) Terminal, Bullet, .156m, 12 Awg	1
▲	2	57220	(007000-) Plate, Light Mtg.	1
▲	3	59447	(007000-) Bracket, Mounting, Light, Ohg	1
▲	4	10632-9	(007000-) Grommet,Rbr,0.56ld,For .13Matl	1
▲	5	60288	(007000-) Harness, Revolv Light, Cab,Ohg	1
▲	6	55248	(007000-) Cabletie Mount, Adhesive	1
▲	7	49266	(007000-) Tie, Cable 1.75D Max 7.50Lg	8
▲	8	86330	(007000-) Duct, Vinyl .40X.75X10.0 .25D	2
▲	9	86332	(007000-) Duct, Vinyl .40X.75X26.0 .25D	1
▲	10	02850	(007000-) Nut, Hex, Lock, M4 X 0.7, NI	2
▲	11	24672	(007000-) Screw, Hex, .25-20 X 0.75, Ss	2
▲	12	27978	(007000-) Nut, Hex, Flng, .25-20	2
▲	13	24265	(007000-) Screw, Pan, M4 X 0.7 X 16, Ss	2
▲	14	19065	(007000-) Washer, Flat, #08	2
▽	16	82063	(007000-007433) Light, Flashing, Amber, 12V-Re	1
▲		58520	(007000-007433) Lens,Flashing Lite Fr207 Amber	1
▲		45779	(007000-007433) Bulb, 12V .2A 32Cp #1156	1
		58518	(007000-007433) Lens,Flashing Lite Fr207 Red	1
		58519	(007000-007433) Lens,Flashing Lite Fr207 Blue	1

Fig. 2 - Revolving Light Kit, Overhead Guard

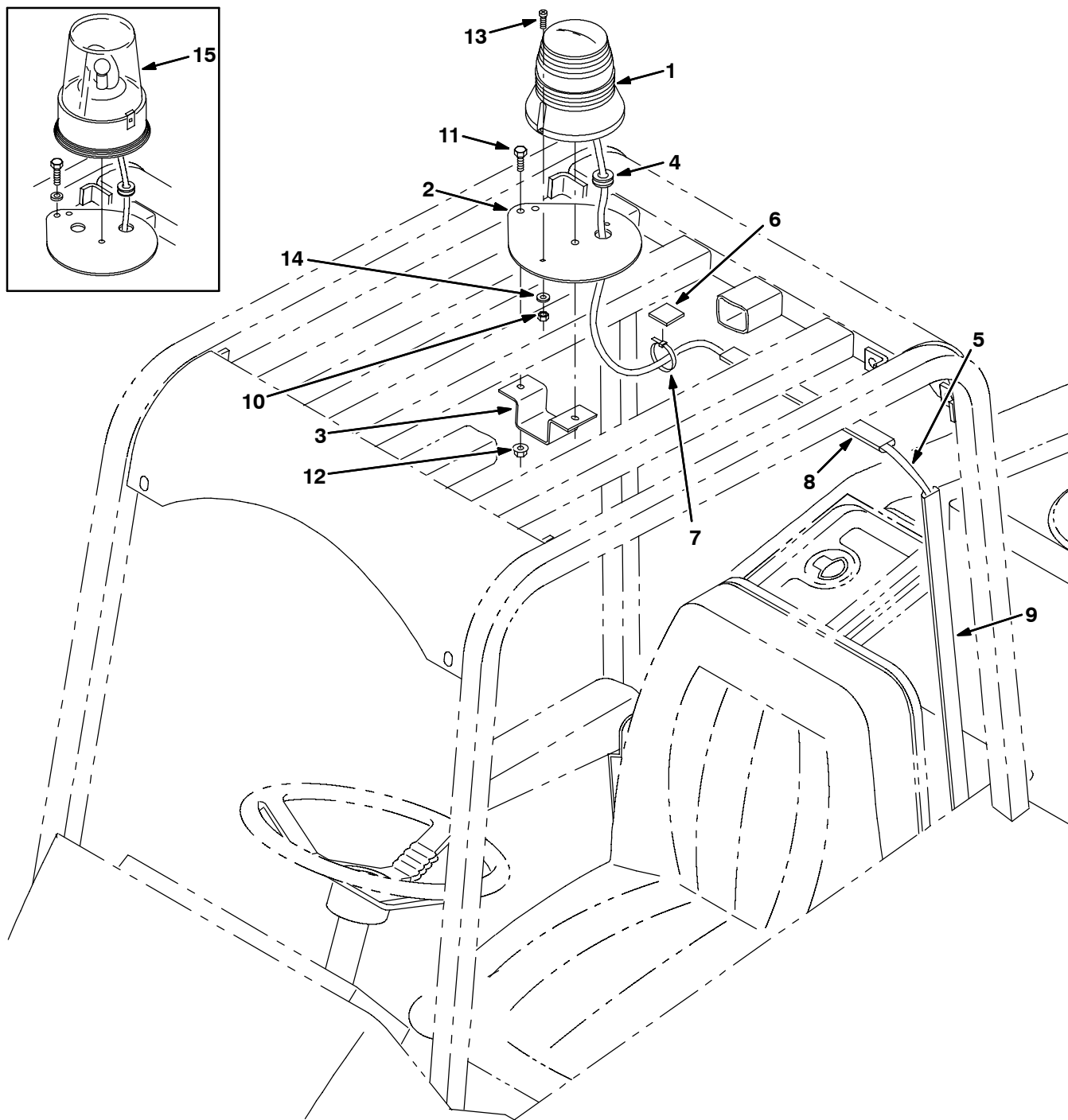


Fig. 2 - Revolving Light Kit, Overhead Guard

	Ref.	Part No.	Serial Number	Description	Qty.
	▽	25763	(007000-) Light Kit Revl Ohg	1
	▲▽	1 1017250	(007433-) Lamp Strobe, Amb, 12-80 Vdc	1
	▲▲	9000879	(007433-) Vr, Lens, Lamp, Amb, Strobe/Flasher	1
9000845	▲▲	9000846	(007433-) Vr, Lamp, Bulb, Lamp, Strobe	1
	▲	29192	(007433-) Terminal, Ring, .250, 16/14 Awg	1
	▲	55272	(007433-) Terminal, Bullet, .156m, 12 Awg	1
	▲	2 57220	(007000-) Plate, Light Mtg.	1
	▲	3 59447	(007000-) Bracket, Mounting, Light, Ohg	1
	▲	4 10632-9	(007000-) Grommet, Rbr, 0.56ld, For .13Matl	1
	▲	5 60288	(007000-) Harness, Revolv Light, Cab, Ohg	1
	▲	6 55248	(007000-) Cabletie Mount, Adhesive	1
	▲	7 49266	(007000-) Tie, Cable 1.75D Max 7.50Lg	8
	▲	8 86330	(007000-) Duct, Vinyl .40X.75X10.0 .25D	2
	▲	9 86332	(007000-) Duct, Vinyl .40X.75X26.0 .25D	1
	▲	10 02850	(007000-) Nut, Hex, Lock, M4 X 0.7, NI	2
	▲	11 24672	(007000-) Screw, Hex, .25-20 X 0.75, Ss	2
	▲	12 27978	(007000-) Nut, Hex, Flng, .25-20	2
	▲	13 24265	(007000-) Screw, Pan, M4 X 0.7 X 16, Ss	2
	▲	14 19065	(007000-) Washer, Flat, #08	2
	▽	15 82200	(007000-007432) Light, Rev. Amber 12V	1
	▲	44681-1	(007000-007432) Lens, Rev. Light, Amber	1
	▲	45779	(007000-007432) Bulb, 12V .2A 32Cp #1156	1
		44681	(007000-007432) Lens, Rev. Light, Red	1
		44681-2	(007000-007432) Lens, Rev. Light, Blue	1

Fig. 3 - Flashing Light Kit, LRC

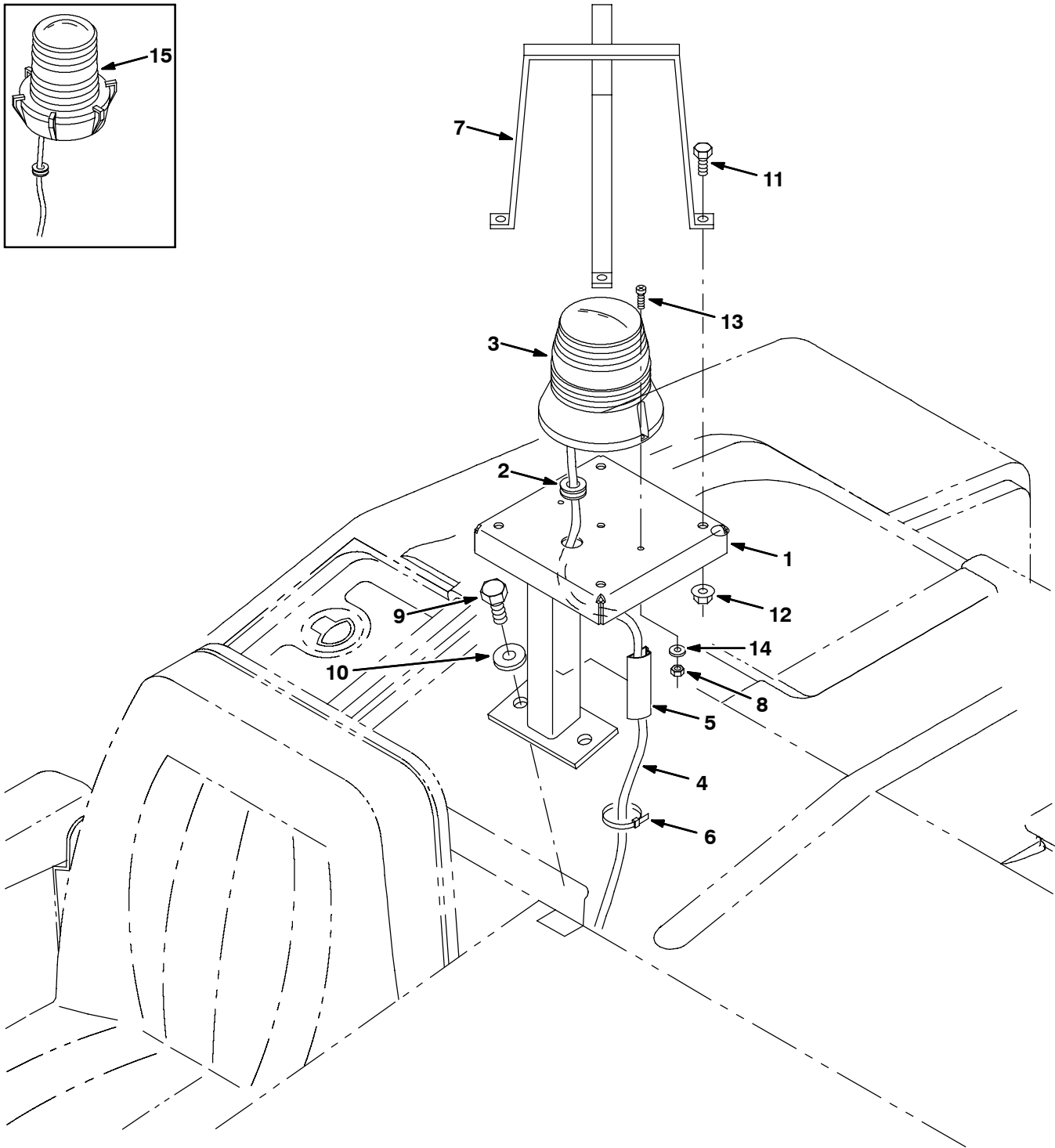


Fig. 3 - Flashing Light Kit, LRC

	Ref.	Part No.	Serial Number	Description	Qty.
	▽	25765	(007000-) Light Kit Flsh Lrc	1
	▲	1 71645	(007000-) Bracket Wldt, Rot Light	1
	▲	2 10632-9	(007000-) Grommet,Rbr,0.56ld,For .13Matl	1
	▲▽	3 1017248	(007434-) Light, Flsh, Amb, 12-48 Vdc	1
	▲▲	9000879	(007434-) Vr, Lens, Lamp, Amb, Strobe/Flasher	1
9000846	▲▲	9000845	(007434-) Vr, Lamp, Bulb, Lamp, Flsh	1
	▲	29192	(007434-) Terminal, Ring, .250, 16/14 Awg	1
	▲	55272	(007434-) Terminal, Bullet, .156m, 12 Awg	1
	▲	4 71543	(007000-) Harness, Revol Light	1
	▲	5 86333	(007000-) Duct, Vinyl .40X.75X3.5 .25D	1
	▲	6 49266	(007000-) Tie, Cable 1.75D Max 7.50Lg	8
	▲	7 45272	(007000-) Guard Wldt, Lights, Revl&Flsh	1
	▲	8 02850	(007000-) Nut, Hex, Lock, M4 X 0.7, NI	2
	▲	9 41346	(007000-) Screw, Hex, M12 X 1.75 X 30, 8.8	2
	▲	10 32486	(007000-) Washer, Flat, 0.50 Sae	2
	▲	11 16931	(007000-) Screw, Hex, M8 X 1.25 X 20, 8.8	2
	▲	12 07791	(007000-) Nut, Hex, Flng, M8 X 1.25	2
	▲	13 24265	(007000-) Screw, Pan, M4 X 0.7 X 16, Ss	2
	▲	14 19065	(007000-) Washer, Flat, #08	2
	▽	15 82063	(007000-007433) Light, Flashing, Amber, 12V-Re	1
	▲	58520	(007000-007433) Lens,Flashing Lite Fr207 Amber	1
	▲	45779	(007000-007433) Bulb, 12V .2A 32Cp #1156	1
		58518	(007000-007433) Lens,Flashing Lite Fr207 Red	1
		58519	(007000-007433) Lens,Flashing Lite Fr207 Blue	1

Fig. 4 - Revolving Light Kit, LRC

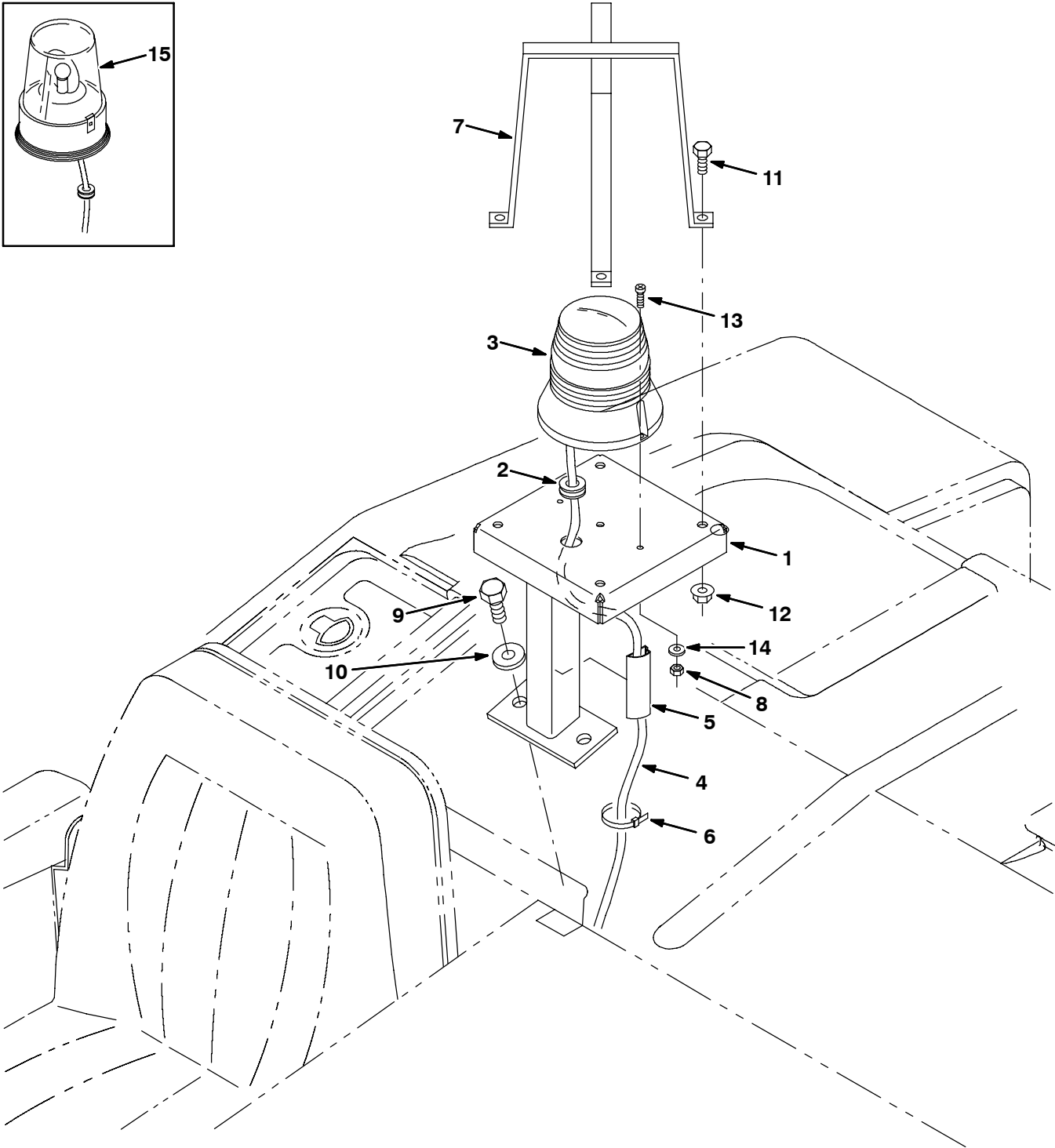


Fig. 4 - Revolving Light Kit, LRC

	Ref.	Part No.	Serial Number	Description	Qty.
	▽	25767	(007000-) Light Kit Revl Lrc	1
	▲	1 71645	(007000-) Bracket Wldt, Rot Light	1
	▲	2 10632-9	(007000-) Grommet,Rbr,0.56ld,For .13Matl	1
	▲▽	3 1017250	(007433-) Lamp Strobe, Amb, 12-80 Vdc	1
	▲▲	9000879	(007433-) Vr, Lens, Lamp, Amb, Strobe/Flasher	1
9000847	▲▲	9000846	(007433-) Vr, Lamp, Bulb, Lamp, Strobe	1
	▲	29192	(007433-) Terminal, Ring, .250, 16/14 Awg	1
	▲	55272	(007433-) Terminal, Bullet, .156m, 12 Awg	1
	▲	4 71543	(007000-) Harness, Revol Light	1
	▲	5 86333	(007000-) Duct, Vinyl .40X.75X3.5 .25D	1
	▲	6 49266	(007000-) Tie, Cable 1.75D Max 7.50Lg	8
	▲	7 45272	(007000-) Guard Wldt, Lights, Revl&Fish	1
	▲	8 02850	(007000-) Nut, Hex, Lock, M4 X 0.7, NI	2
	▲	9 41346	(007000-) Screw, Hex, M12 X 1.75 X 30, 8.8	2
	▲	10 32486	(007000-) Washer, Flat, 0.50 Sae	2
	▲	11 16931	(007000-) Screw, Hex, M8 X 1.25 X 20, 8.8	2
	▲	12 07791	(007000-) Nut, Hex, Fing, M8 X 1.25	2
	▲	13 24265	(007000-) Screw, Pan, M4 X 0.7 X 16, Ss	2
	▲	14 19065	(007000-) Washer, Flat, #08	2
	▽	15 82200	(007000-007432) Light,Rev.Amber 12V	1
	▲	44681-1	(007000-007432) Lens,Rev.Light,Amber	1
	▲	45779	(007000-007432) Bulb, 12V .2A 32Cp #1156	1
		44681	(007000-007432) Lens,Rev.Light,Red	1
		44681-2	(007000-007432) Lens,Rev.Light,Blue	1

Fig. 5 - ES and Auto Fill Group

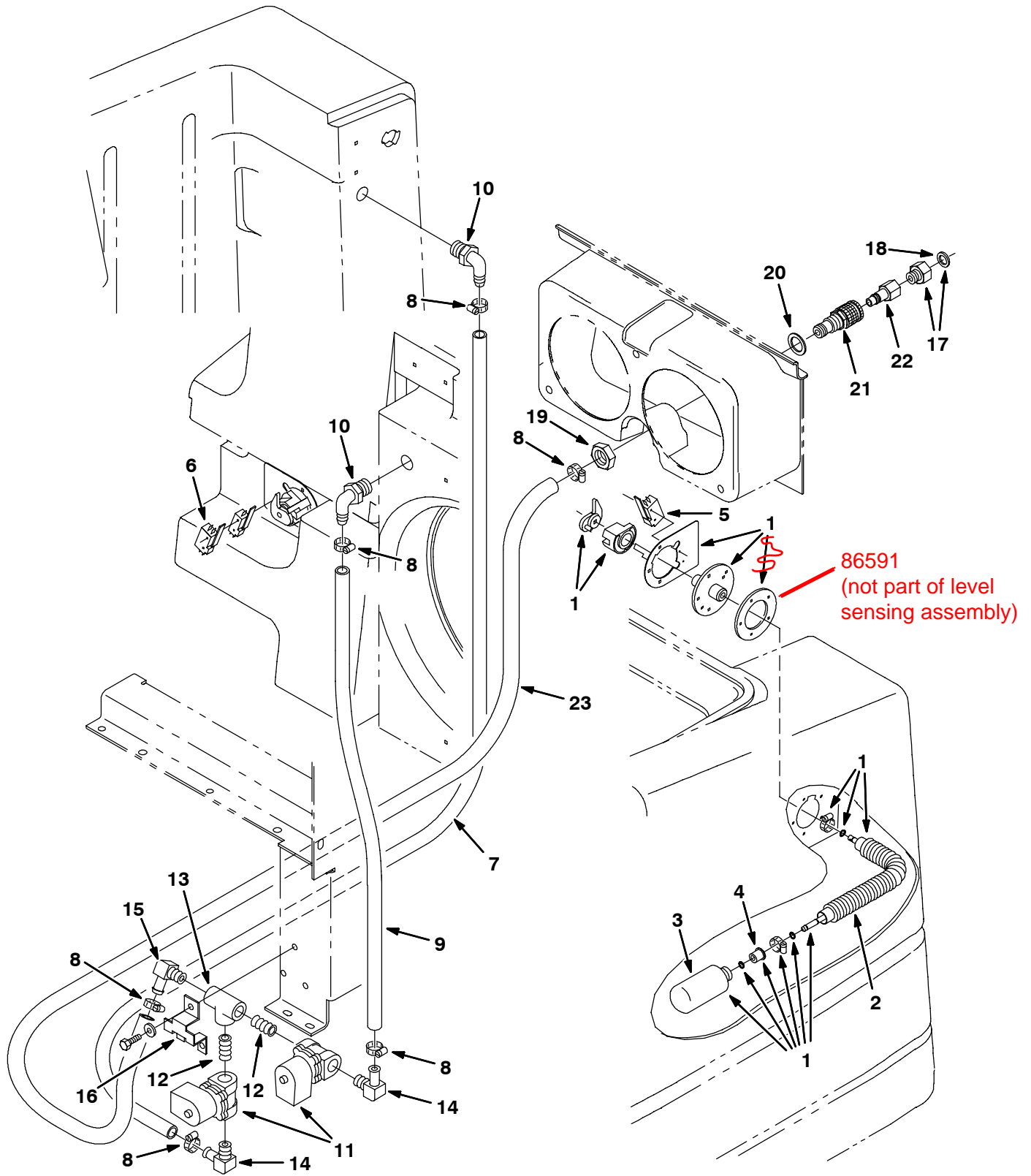


Fig. 5 - ES and Auto Fill Group

	Ref.	Part No.	Serial Number	Description	Qty.
▽	1	20956	(007000-) Level Sensing Assy, Es	1
▲	2	73145	(007000-) Bellows, .75 Id 10.3L	1
▲	3	50238	(007000-) Float Bottle	1
▲	4	50256	(007000-) Plug, Float	1
▲	5	1008147	(007000-) Switch, Snap Actn, 250vdc 20a Dpdt	1
	6	1008147	(007000-) Switch, Snap Actn, 250vdc 20a Dpdt	1
	7	71888	(007000-) Hose, Vinyl Clr, .62ldx 63.0Lg	1
	8	63810	(007000-) Clamp, Hose, Wormdrive, 0.56-1.06d, .56w	6
	9	73472	(007000-) Hose, Vinyl Clr, .62ldx 18.0Lg	1
	10	73468	(007000-) Fitting-Pls E90	2
	11	73433	(007000-) Valve, Solenoid, 12V Dc	2
	12	1033507	(007000-) Fitting, Brs, Str, Pm08/Pm08	2
	13	24450	(007000-) Ftg,Brs Tee Pf08 Pf Pf	1
	14	30268	(007000-) Ftg Brs E90	2
	15	48697	(007000-) Fitting-Brs	1
	16	15965	(007000-) Plate Bent	1
▽	17	375322	(007000-) Kit, Ftg, Garden Hose	1
▲	18	01316	(007000-) Washer, .660B 1.00D .12Rbr	1
	19	48988	(007000-) Nut-Hx Jam 1.00-14 Pltd	1
	20	20955	(007000-) Washer, 1.03Lb 1.50D .036 Crs	1
	21	10678	(007000-) Fitting, Bulkhead Fem,	1
	22	33295	(007000-) Ftg Qkdisc, Male	1
	23	71887	(007000-) Hose, Vinyl Clr, .75ld x 58.0Lg	1

Fig. 6 - ES Pump Column Group

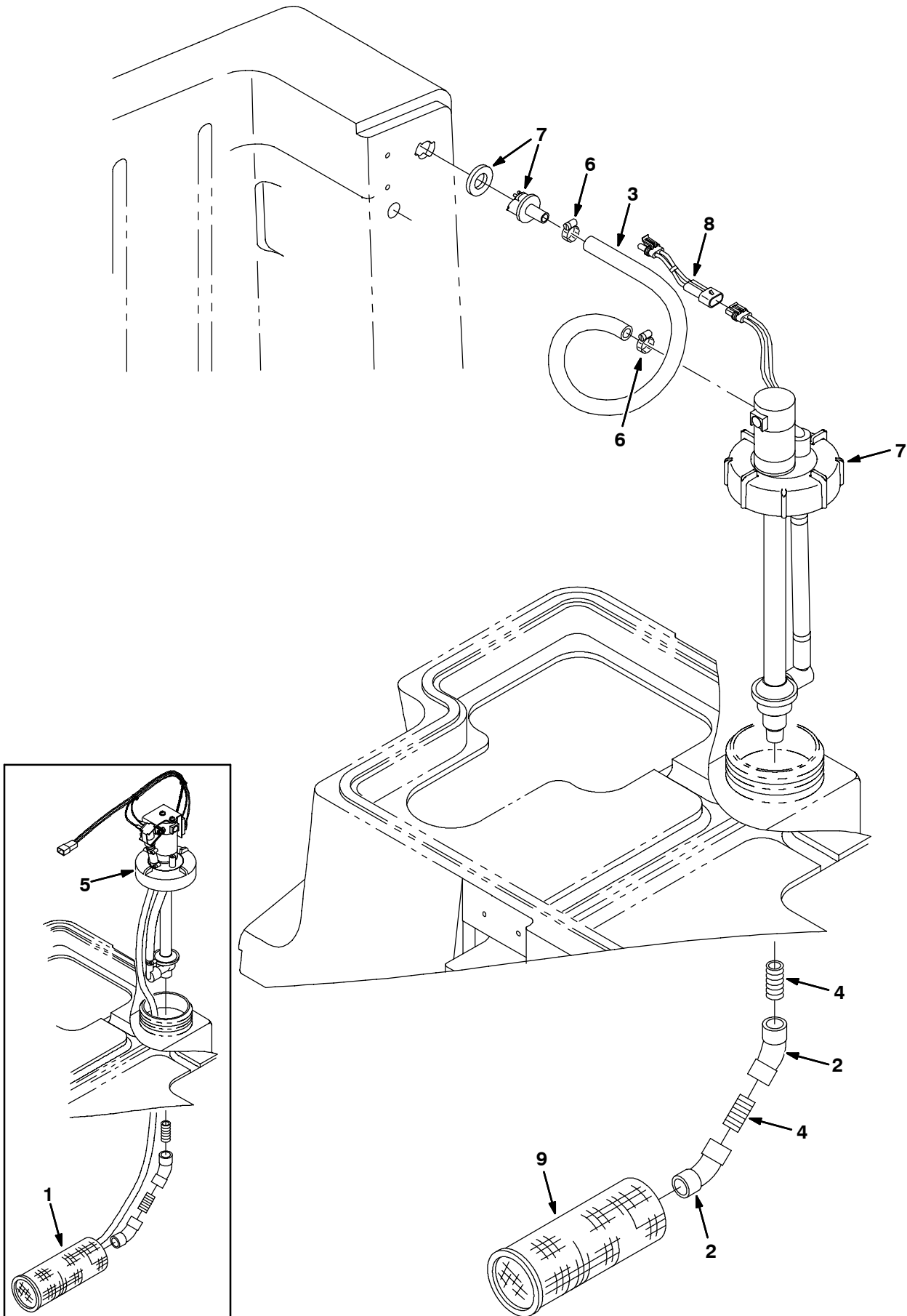


Fig. 6 - ES Pump Column Group

Ref.	Part No.	Serial Number	Description	Qty.
1	20895	(007000-007432)	Filter, Solution	1
2	10575	(007000-	Fitting-Plastic E45 12Pf-12Pf	2
3	73472	(007000-	Hose, Pvc, Brd, 0.62id 0.88od 18.00l	1
4	69784	(007000-	Ftg,Plstc,Nip. 0.75Ptx 1.68Lg	2
5	20891	(007000-007432)	Pump, Column, Es (See Breakdowns) (Replaced by 377422)	1
6	86824	(007000-	Clamp, Wormdrive	2
7	1021210	(007433-	Pump Assy, Column, Es (See Breakdowns)	1
8	391946	(007433-	Harness, Jumper, Pump [7400/8410]	1
9	10573	(007433-	Strainer, Soltn, 20mesh, Cyl, 4.0d 08.0l	1

Fig. 7 - ES Detergent Tank Group

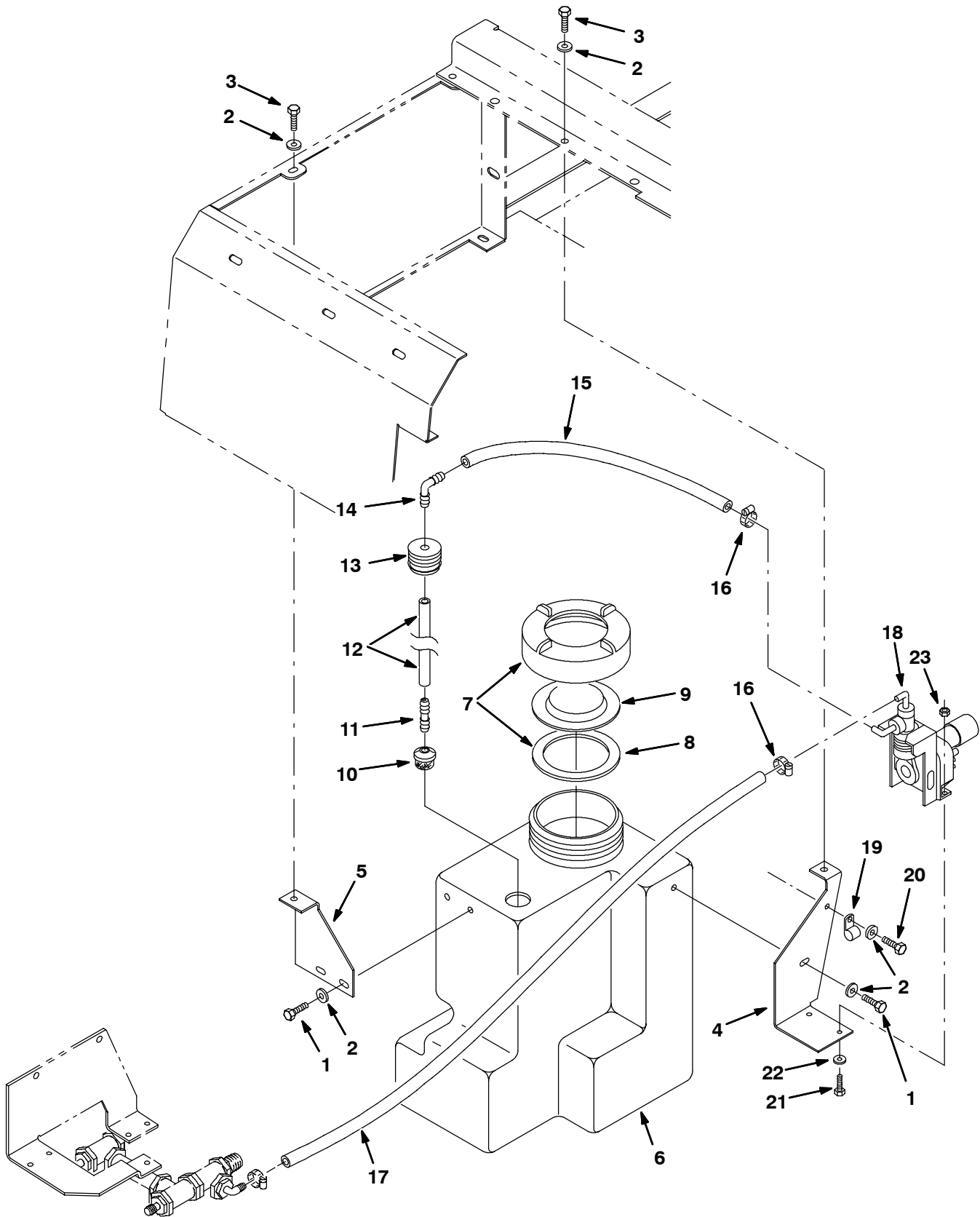


Fig. 7 - ES Detergent Tank Group

Ref.	Part No.	Serial Number	Description	Qty.	
1	12273	(007000-) Scr-Hexssm 8X1.25 20 Nylinloc	3	
2	01685	(007000-) Washer Flt .31 Ss	6	
3	09740	(007000-) Scr Hexssm 8X1.25	2	
4	20942	(007000-) Bracket, Mtg, Tank	1	
5	20941	(007000-) Bracket, Mounting, Tank	1	
6	25822	(007000-) Detergent Tank W/Label	1	
▽	7	24358	(007000-) Cap Tank	1
▲	8	1031699	(007000-) Gasket, .19, 4.05id 5.29od [Buna]	1
9	86636	(007000-) Cover Lid	1	
10	20952	(007000-) Screen, Pump, Detergent	1	
11	20950	(007000-) Fitting-Barb, Strt 3/8 Id Hose	1	
12	22786	(007000-) Hose, Vinyl, Cl Nyre .38Idx21L	1	
13	20944	(007000-) Grommet, Detergent Tank	1	
14	20951	(007000-) Fitting-Barb,90Deg,3/8 Id Hose	1	
15	20999	(007000-) Hose, Vinyl, Clear Nylon Reinf	1	
16	54333	(007000-) Clamp-Wormdrive, 0.31- 0.88D	2	
17	63182-5	(007000-) Hose Vinyl Cl.,0.38 Idx31.00Lg	1	
18	73260	(007000-) Pump, Detergent Metering (See Breakdowns)	1	
19	67767	(007000-) Clamp-Cable,.69Dia. 62Wth	1	
20	09010	(007000-) Scr Hexssm 8X1.25 25	1	
21	24199	(007000-) Scr Hesssm 5X0.8 16	2	
22	01683	(007000-) Washer Flt .31Ss	2	
23	09739	(007000-) Nut-Hxlocnyln M5X0.8 Reg Ss	2	

Fig. 8 - Backup Alarm Group

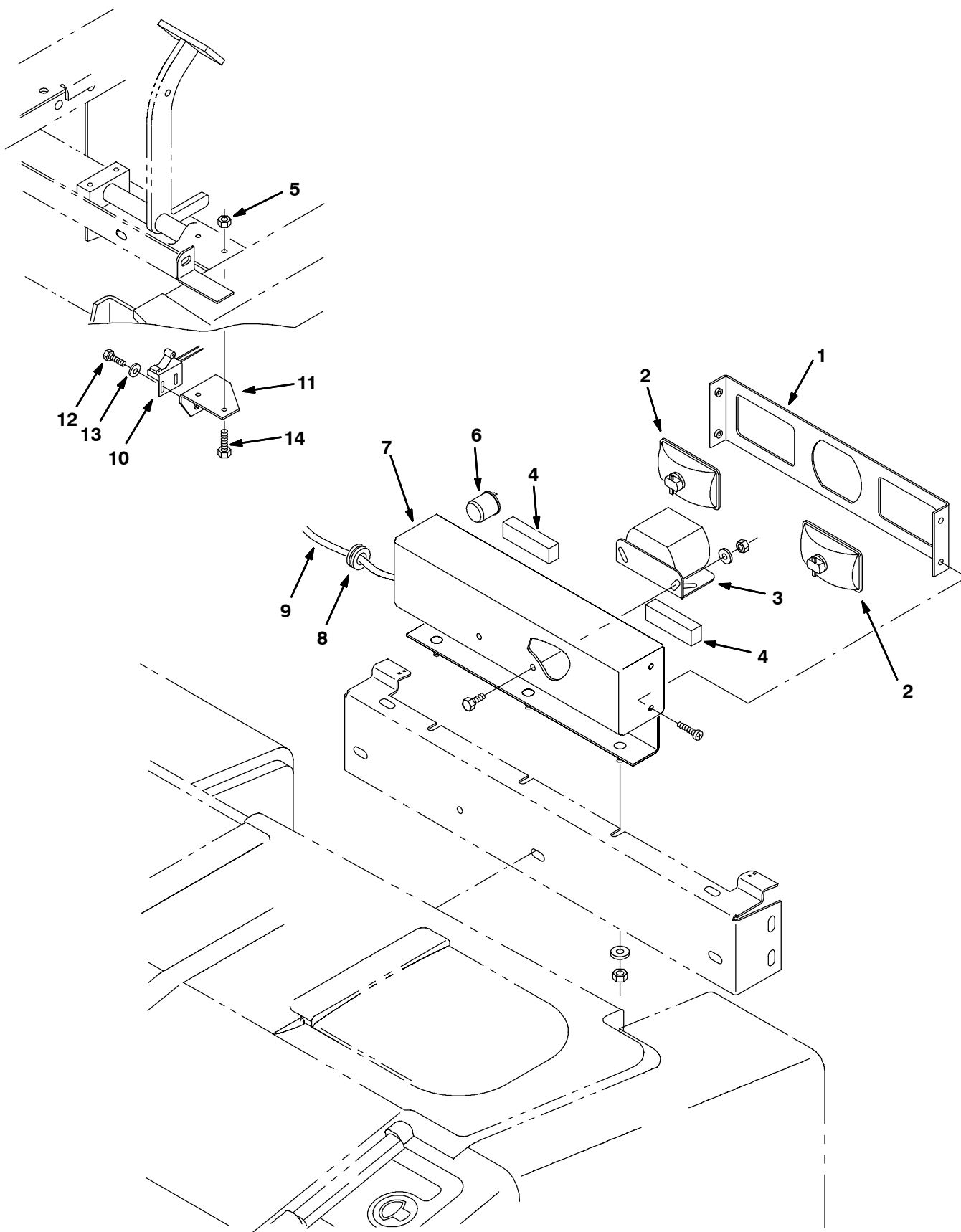


Fig. 8 - Backup Alarm Group

	Ref.	Part No.	Serial Number	Description	Qty.
▽		25755	(007000-) Kit, Ci, Alarm, Backup	1
▲	1	71651	(007000-) Plate, Backup Alarm	1
▲	2	71653	(007000-) Light, Backup 12V	2
▲	3	61920	(007000-) Horn, Back-Up Alarm	2
▲	4	54338-2	(007000-) Seal,Foam Rbr, .75 1.00W 3.5L	2
▲	5	08712	(007000-) Nut Hxlocnyln M 6X1.0 Reg Ss	2
▲	6	24576	(007000-) Flasher, 12vdc [Hd552ps83]	1
▲	7	71649	(007000-) Bracket Wldt, Backup Alarm	1
▲	8	10632-9	(007000-) Grommet,Rbr,0.56ld,For .13Matl	1
▲	9	71652	(007000-) Harness, Back Up Alarm	1
▲	10	59962	(007000-) Switch, Roller	1
▲	11	71648	(007000-) Bracket, Switch	1
▲	12	09738	(007000-) Scr Hexssm 5X0.8 12	2
▲	13	01683	(007000-) Washer Flt 10 Ss	2
▲	14	08716	(007000-) Screw Hex Ssm 6 X 1.0 20	2

Fig. 9 - Side Brush Mount Group

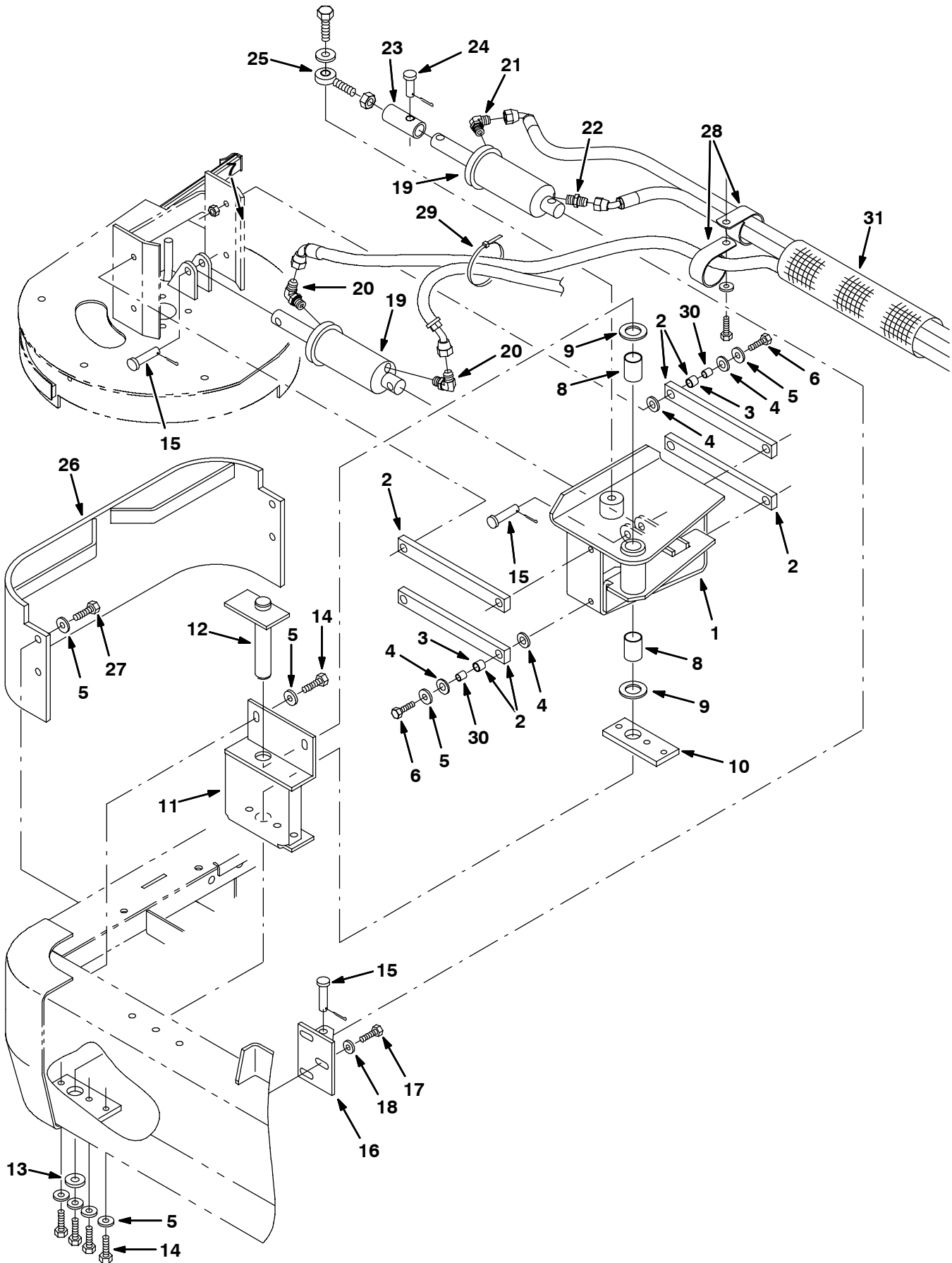


Fig. 9 - Side Brush Mount Group

Ref.	Part No.	Serial Number	Description	Qty.
1	71855	(007000-) Pivot Wldt, Side Brush	1
▽	2 63175-1	(007000-) Arm Assy, Link	4
▲	3 63233	(007000-) Bushing, Sleeve, 0.50b 0.59d 0.50l, Bnz	2
4	59633	(007000-) Bearing, Thrust - Fiberglide	16
5	01685	(007000-) Washer Flt .31 Ss	18
6	36845	(007000-) Scr Hexss.38-16X1.50	8
7	59156	(007000-) Nut-Hxlocnyln .38-16 Regss18-8	8
8	71868	(007000-) Bearing, Sleeve, 1ldx1.12Odx1.5	2
9	71869	(007000-) Bearing, Thrust, 11D X 1.75 Od	2
10	71866	(007000-) Plate, Pin Retaining, S Br	1
11	71860	(007000-) Channel Wldt, Mtg, S Br	1
12	71863	(007000-) Pin Wldt, S Br	1
13	41619	(007000-) Washer Flt .50 Ss	2
14	09028	(007000-) Scr Hexssm10X1.5 25	6
15	63147	(007000-) Pin,Clevis,0.50 Dia.X 1.87 Lg	3
16	71815	(007000-) Bracket Wldt, Mounting, Cyl	1
17	09740	(007000-) Scr Hexssm 8X1.25	3
18	01685	(007000-) Washer Flt .31 Ss	3
19	1028042	(007000-) Cylinder, Hyd, 2.0b 08.0l 04.00strk 2500	2
20	77097	(007000-) Ftg-Hyd E90 Jm04/Om04	2
21	77098	(007000-) Ftg-Hyd E90 Jm06/Om04	1
22	50960	(007000-) Ftg-Hyd Str Jm06/Om04	1
23	71832	(007000-) Adaptor, Rod-End, S Br	1
24	06598	(007000-) Pin,Clevis,0.50 Dia.X 1.42 Lg	1
25	71874	(007000-) Rod-End,Ball Joint,Male,.50	1
26	71870	(007000-) Bumper Wldt, S Br	1
27	09291	(007000-) Scr Hexssm10X1.5 20	4
28	53466	(007000-) Clamp-Cable, 1.50Dia 1.00W	2
29	44961	(007000-) Tie, Cable 4.00 Max 14.50Lg	6
30	63234	(007000-) Tube, 0.50d 0.38b 0.6l Ss	8
31	82830	(007000-) Sleeve, Nylon 16.0L	1

Fig. 10 - Side Brush Motor Group

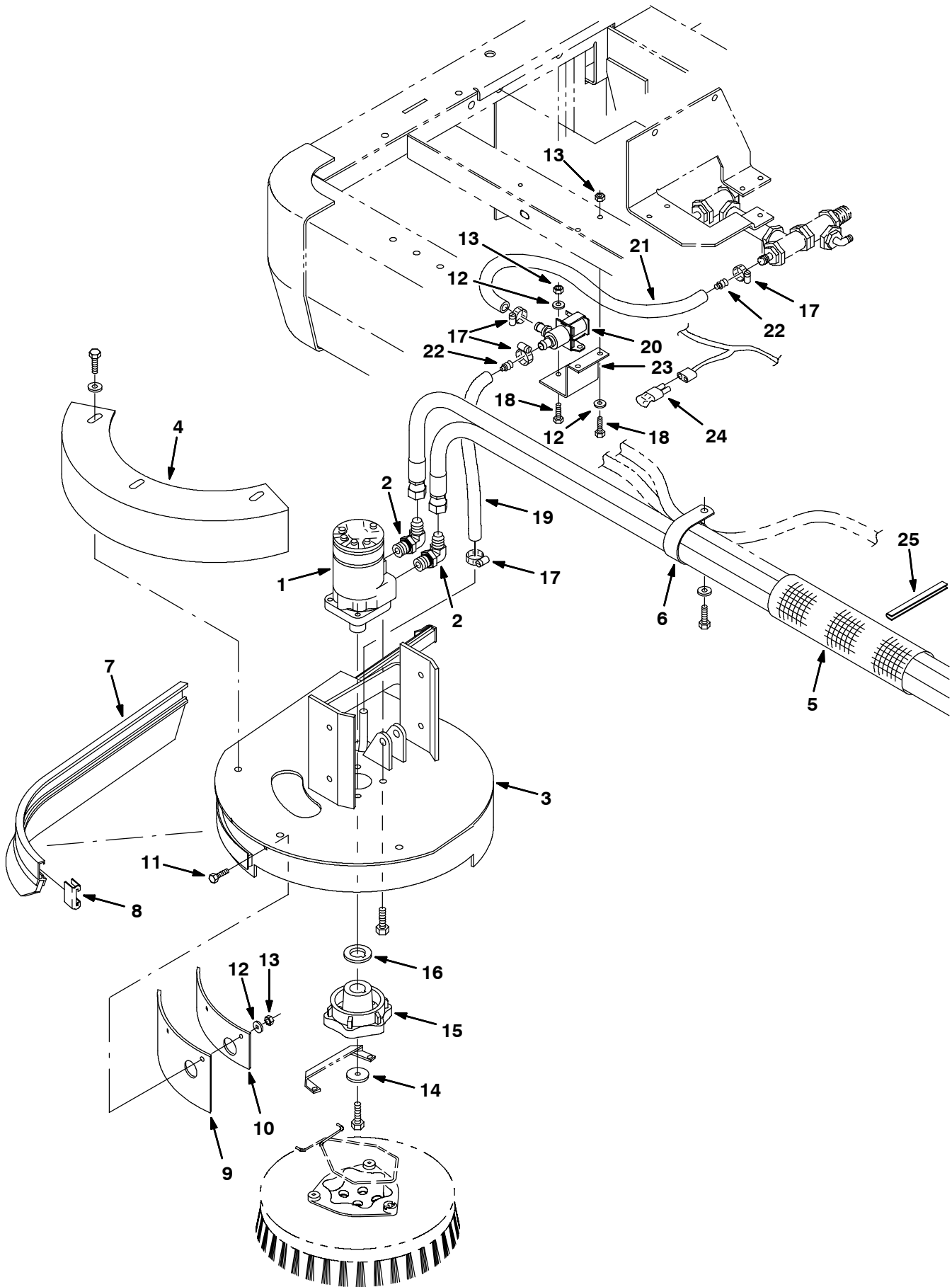


Fig. 10 - Side Brush Motor Group

Ref.	Part No.	Serial Number	Description	Qty.
1	397692	(007000-) Motor, Hyd Gear (See Breakdowns)	1
2	56821	(007000-) Ftg-Hyd E90 Jm08/Om10	2
3	71808	(007000-) Housing Wldt, Side Brush	1
4	71825	(007000-) Guard Wldt, Sqge, S Br	1
5	57224	(007000-) Sleeve, Nylon 16.0L	1
6	53466	(007000-) Clamp-Cable, 1.50Dia 1.00W	1
7	71839	(007000-) Squeegee Assy, S Br	1
8	86759	(007000-) Retainer, Squeegee	1
9	12678	(007000-) Skirt, Side Brush	1
10	12677	(007000-) Retainer, Side Brush	1
11	09007	(007000-) Scr Hexssm 6X1.0 25	3
12	01684	(007000-) Washer Flt .25 Ss	7
13	08712	(007000-) Nut Hxlocnyln M 6X1.0 Reg Ss	7
14	19191	(007000-) Spacer Hub	1
15	377359	(007000-) Hub, Drive, Brush, Disk, 1.00b 6t	1
16	25611	(007000-) Spacer Hub	1
17	54333	(007000-) Clamp-Wormdrive, 0.31- 0.88D	4
18	08716	(007000-) Screw, Hex Ssm 6 X 1.0 20	4
19	65587	(007000-) Hose, Pvc, .50Idx.73Od 34.0Lg	1
20	369850	(007000-) Valve, Water, Solenoid	1
21	45487-6	(007000-) Hose Vinyl Cl.,0.50 Idx15.0 Lg	1
22	25620	(007000-) Ftg, Plastic Str Barb.25H/.50H	2
23	20801	(007000-) Bracket, Sol Control, Sb	1
24	222290	(007000-) Diode, Ele, Plug	1
25	57564	(007000-) Molding, Trim 11-14Ga 5.00	1

Fig. 11 - Side Brush Hydraulic Group

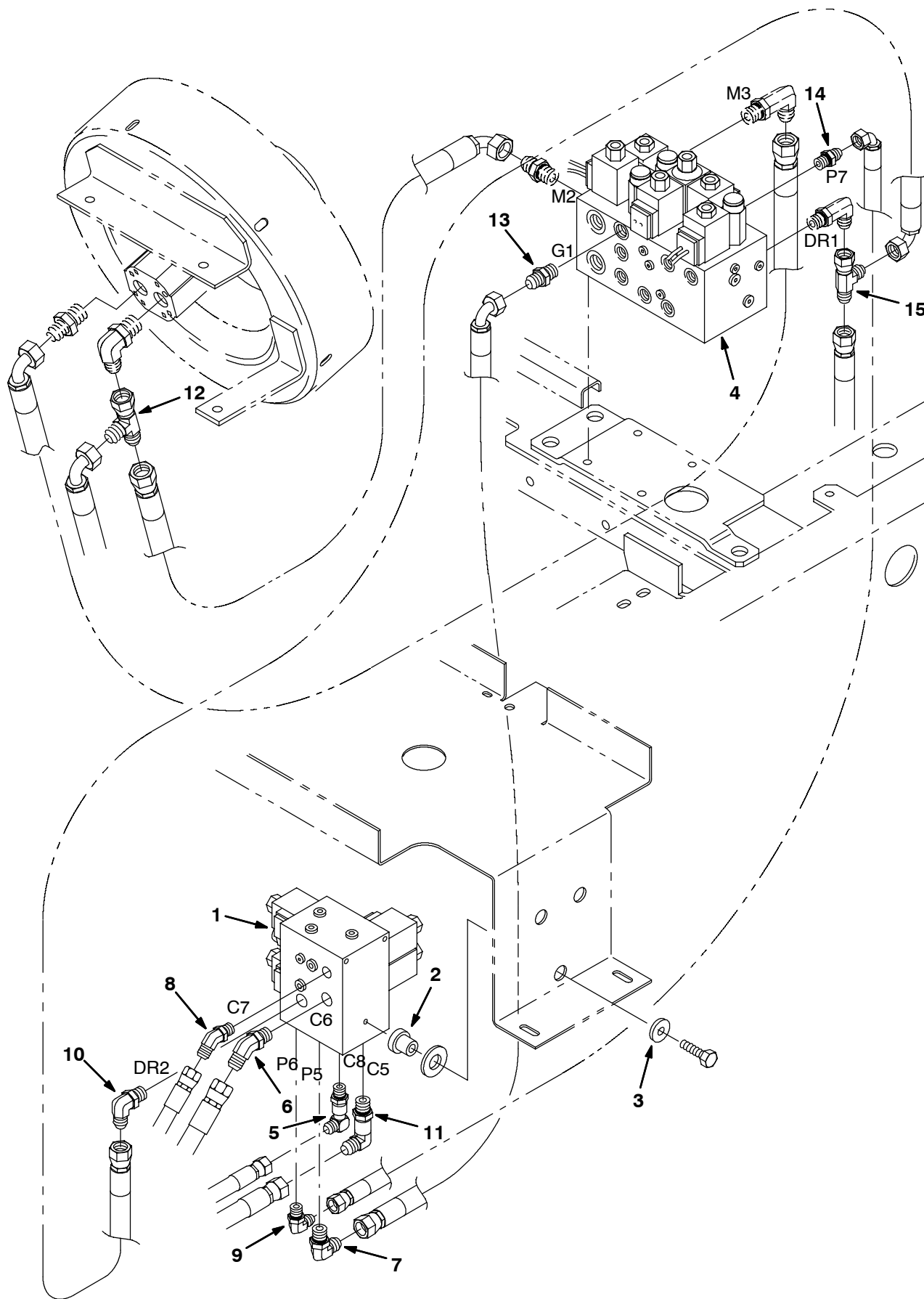


Fig. 11 - Side Brush Hydraulic Group

Ref.	Part No.	Serial Number	Description	Qty.
1	71708	(007000-) Valve, Hyd Contol Sol (See Breakdowns)	1
2	54274	(007000-) Isolator-Vibration,125Lb.Ratng	3
3	13248	(007000-) Washer .400B 1.12D .12Cr Znc	3
4	71760	(007000-) Valve Assy, Side Brush (See Breakdowns)	1
4	71762	(007000-) Valve Assy, Side Br, Nylon Br (See Breakdowns)	1
5	82825	(007000-) Ftg-Hyd E90 Jm04/Om04	1
6	47522	(007000-) Ftg-Hyd E45 Jm06/Om06	1
7	56820	(007000-) Ftg-Hyd E90 Jm06/Om06	1
8	34359	(007000-) Ftg-Hyd E45 Jm04/Om04	1
9	77097	(007000-) Ftg-Hyd E90 Jm04/Om04	1
10	56820	(007000-) Ftg-Hyd E90 Jm06/Om06	1
11	71727	(007000-) Fitting-Hyd E90	1
12	45482	(007000-) Ftg-Hyd Tee Jm08Jmjf	1
13	56690	(007000-) Ftg-Hyd Str Jm06/Om06	1
14	55586	(007000-) Ftg-Hyd Str Jm04/Om04	1
15	42215	(007000-) Ftg-Hyd Tee Jm06Jmjf	1

Fig. 12 - Side Brush Hydraulic Hose Group

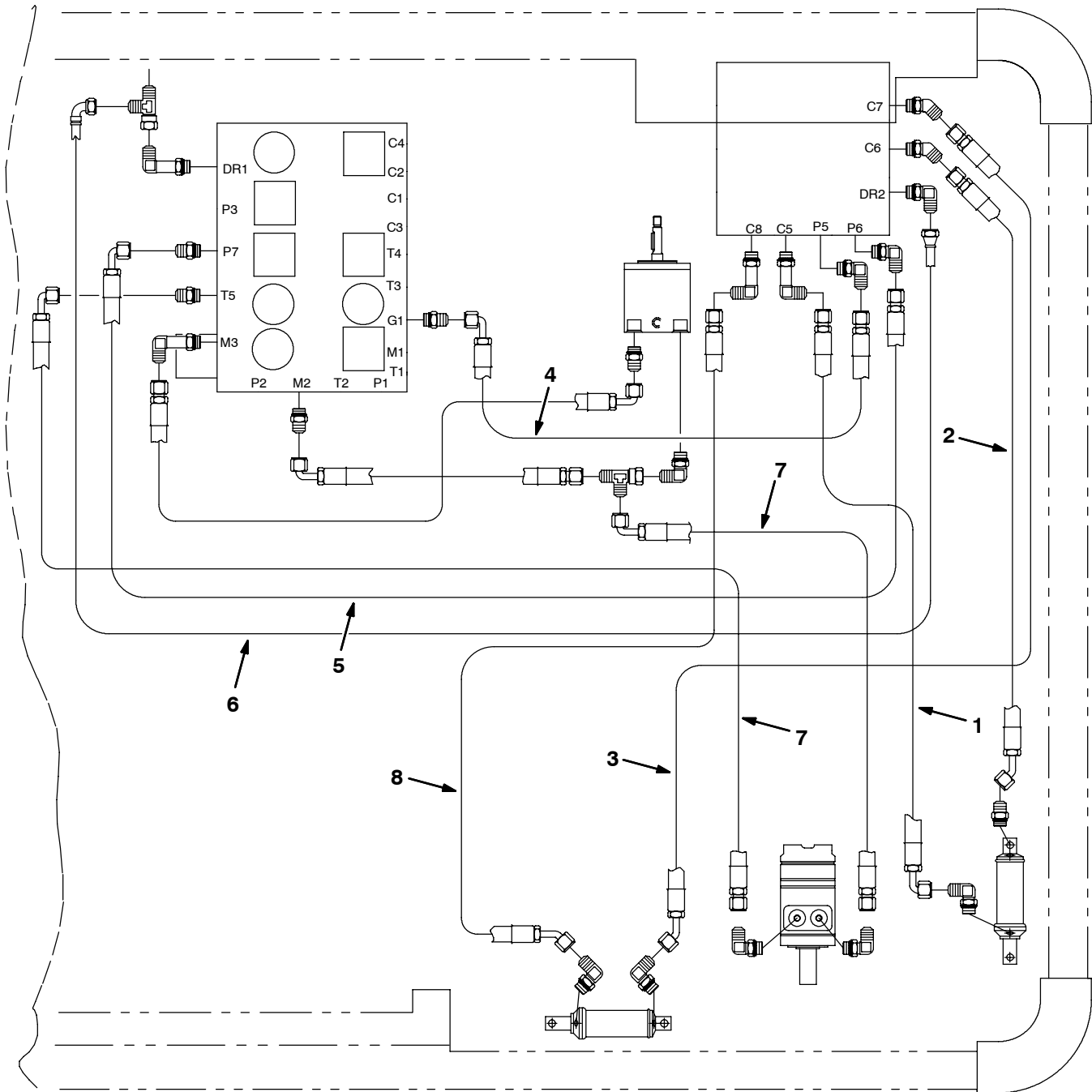


Fig. 12 - Side Brush Hydraulic Hose Group

Ref.	Part No.	Serial Number	Description	Qty.
1	31596	(007000-) Hose-Hyd Med06 Jf/J9	1
2	71757	(007000-) Hose-Hyd Med06 Jf/J4	1
3	71756	(007000-) Hose-Hyd Ar 04 Jf/J4	1
4	71747	(007000-) Hose-Hyd Med06	1
5	71748	(007000-) Hose-Hyd Med04	1
6	31598	(007000-) Hose-Hyd Med06 Jf/J9	1
7	71751	(007000-) Hose-Hyd Ar08	2
8	59581	(007000-) Hose-Hyd Ar 04 Jf/J4	1

Fig. 13 - Side Brush FaST Foam Filter Group

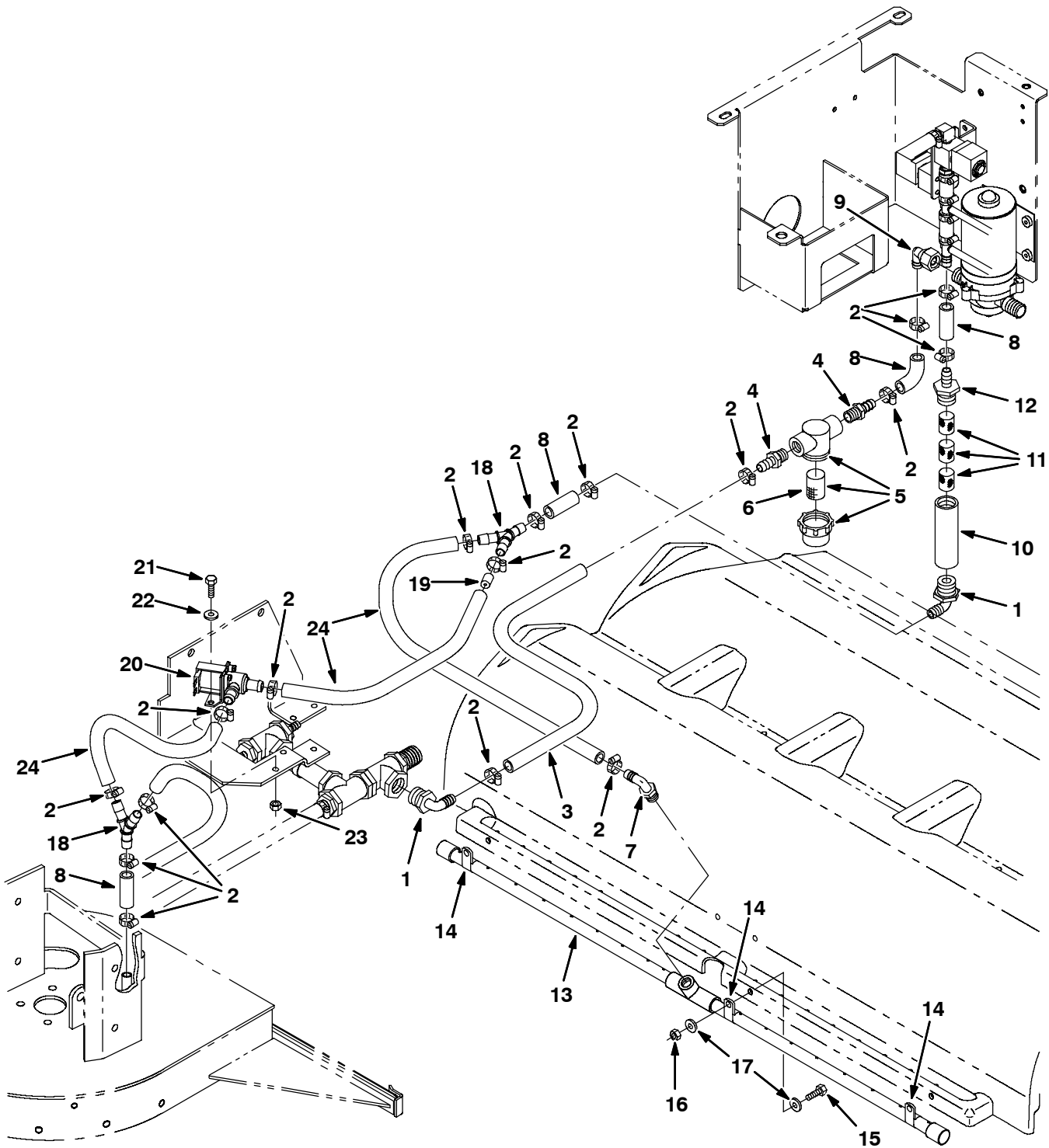


Fig. 13 - Side Brush FaST Foam Filter Group

Ref.	Part No.	Serial Number	Description	Qty.	
1	1005552	(007549-) Fitting, Plstc, E90, Bm08/Pm12, Nyl	2	
2	54333	(007549-) Clamp, Hose, Wormdrive, 0.31-0.88d, .31w	16	
3	1006401	(007549-) Hose, Afmkt, Pvc, Brd 0.50id 3ft	1	
4	64743	(007549-) Fitting, Plstc, Str, Bm08/Pm06	2	
▽	5	1005302	(007549-) Filter, Inline, Pf06/Pf06, 80 Mesh	1
▲	6	1005304	(007549-) Screen, Fltr, 80 Mesh	1
7	64778	(007549-) Fitting, Plstc, E90, Bm08/Pm06	1	
8	1011403	(007549-) Hose, Afmkt, Pvc, Brd 0.50id 1ft	4	
9	1018499	(007549-) Fitting, Plstc, E90, Swivel, Bm08/Pf08s	1	
10	1005086	(007549-) Tube, Pvc, Shc80, Clr, 4.0l	1	
11	1002789	(007549-) Filter, Foam	3	
12	79273-1	(007549-) Fitting, Plstc, Str, Bm08/Pm12	1	
13	1018337	(007549-) Tube Assy, Spray, Cyl, 1000mm [7400]	1	
14	67767	(007549-) Clamp, Cable, Stl, 0.69d X 0.62w, 1h	3	
15	08716	(007549-) Screw, Hex, M6 X 1.0 X 20, Ss	3	
16	08712	(007549-) Nut, Hex, Lock, M6 X 1.0, Ss, NI	3	
17	01684	(007549-) Washer, Flat, 0.25 Ss	6	
18	1010668	(007549-) Fitting, Plstc, Y, Bm08/Bm08/Bm08 Nyl	2	
19	1018333	(007549-) Fitting, Plstc, Rst, .50 Od/.125 Id	1	
20	369850	(007549-) Valve, Water, Sol, 12vdc, 10bm/10bm	1	
21	08716	(007549-) Screw, Hex, M6 X 1.0 X 20, Ss	2	
22	01684	(007549-) Washer, Flat, 0.25 Ss	2	
23	08712	(007549-) Nut, Hex, Lock, M6 X 1.0, Ss, NI	2	
24	1015070	(007549-) Hose, Afmkt, Pvc, Clr 0.50id 2ft	3	

Fig. 14 - Muffler Group, Non-Catalytic (007000-008999)

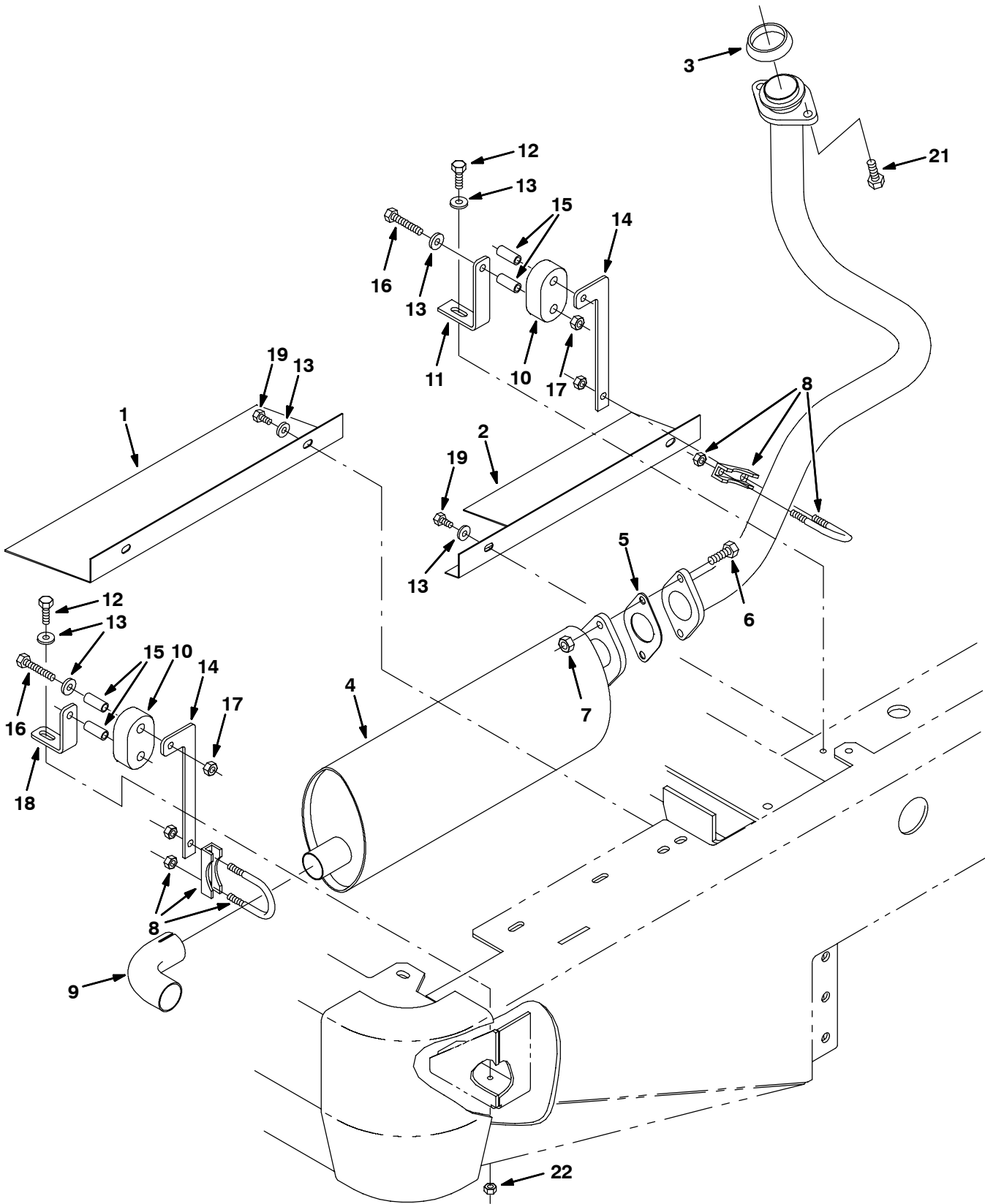
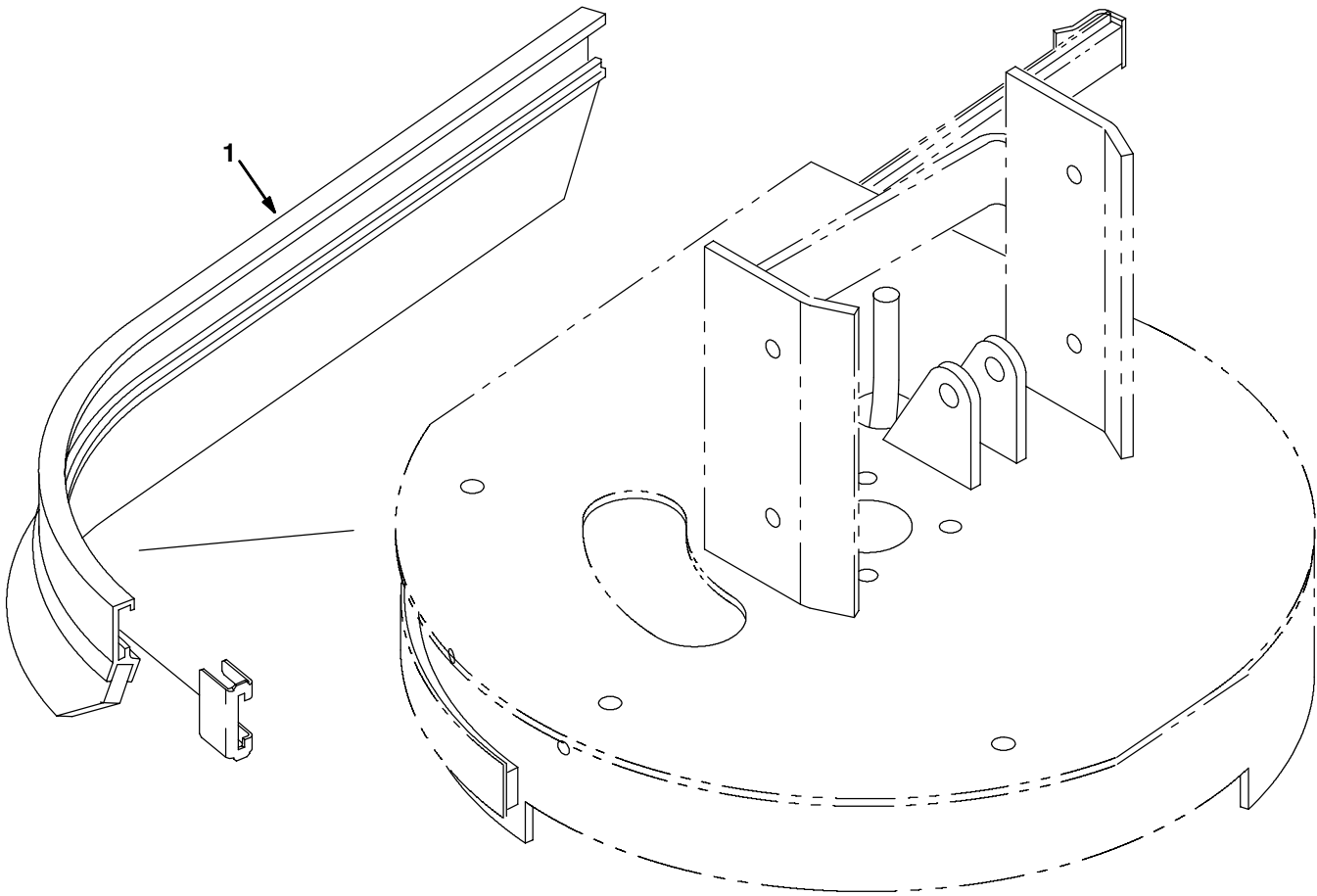


Fig. 14 - Muffler Group, Non-Catalytic (007000-008999)

Ref.	Part No.	Serial Number	Description	Qty.
1	71485	(007000-008999)	Bracket, Shield, Muffler	1
2	71486	(007000-008999)	Bracket, Shield	1
3	371861	(007000-008999)	Gasket, Flgn, Pipe, Exhaust	1
4	1012634	(007000-008999)	Muffler, Exhaust	1
5	1011216	(007000-008999)	Gasket, Exhaust, 2 Hole, 3.4bc	1
6	39284	(007000-008999)	Screw, Hex, M10 X 1.5 X 35, 8.8	2
7	08166	(007000-008999)	Nut, Hex, Stover, M10 X 1.5	2
8	24012	(007000-008999)	Clamp, Muffler, 1.62d	2
9	33329	(007000-008999)	Tube Wldt, Exhaust, 1.5d, W/ Screen	1
10	1013031	(007000-008999)	Isolator, Rubber	2
11	1013525	(007000-008999)	Bracket, Muffler, Hanger	1
12	09011	(007000-008999)	Screw, Hex, M8 X 1.25 X 30, Ss	1
13	32491	(007000-008999)	Washer, Flat, 0.31 Std	10
14	1013556	(007000-008999)	Bracket, Muffler, Hanger, Front	2
15	222496	(007000-008999)	Sleeve, P/M, 0.496d 0.318b 0.93l 430ss	4
16	49694	(007000-008999)	Screw, Hex, M8 X 1.25 X 50, Ss	4
17	08713	(007000-008999)	Nut, Hex, Lock, M 8 X 1.25, NI, Ss	4
18	1013553	(007000-008999)	Bracket, Muffler, Hanger, Front	1
19	16735	(007000-008999)	Screw, Hex, M8 X 1.25 X 16, 8.8	4
20	1010819	(007000-008999)	Tube, Exhaust, Gas/Lpg	1
21	39284	(007000-008999)	Screw, Hex, M10 X 1.5 X 35, 8.8	2
22	08709	(007000-008999)	Nut, Hex, Lock, M8 X 1.25, NI	1

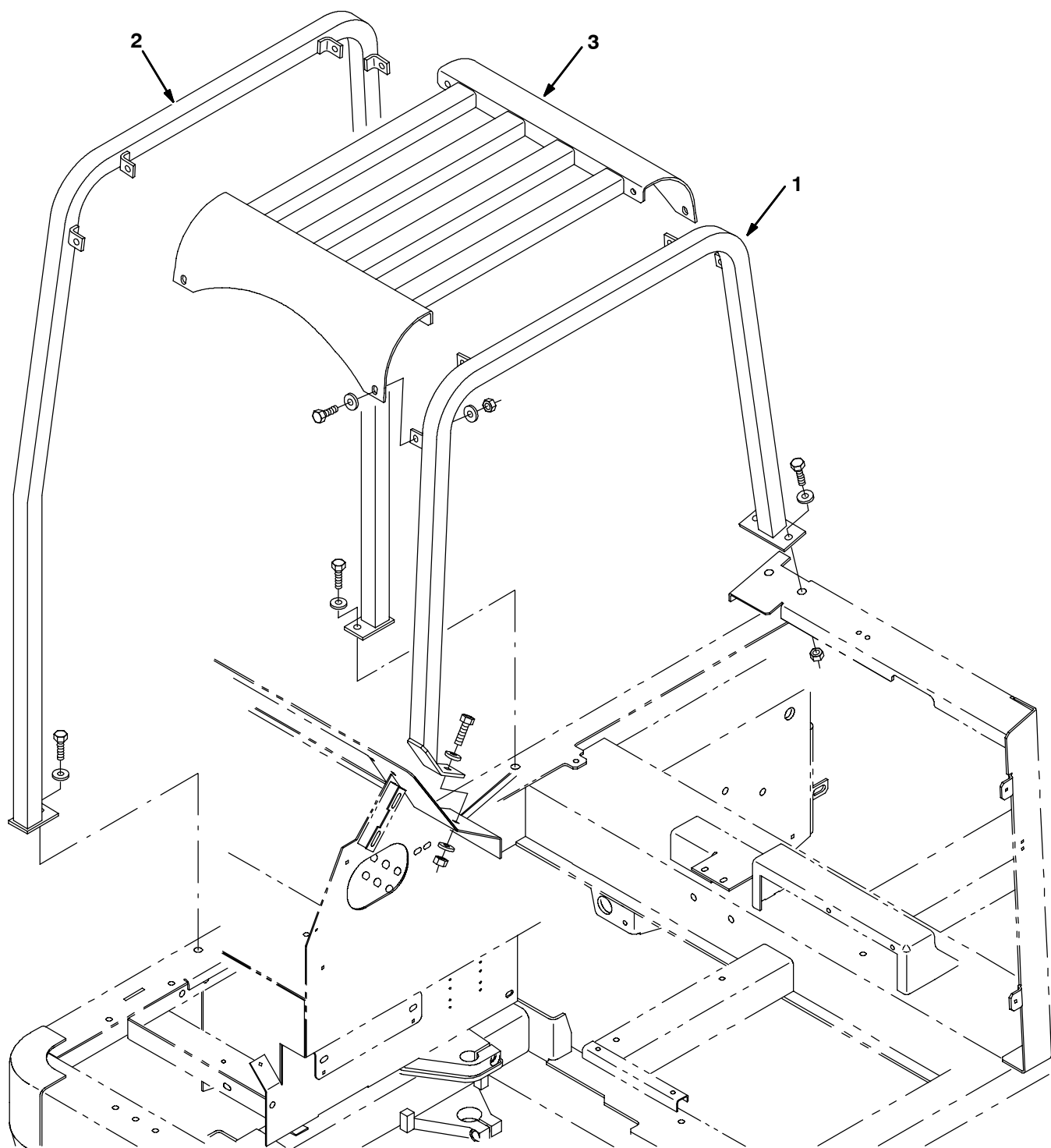
Fig. 15 - Urethane Side Brush Squeegee Assembly



10877 - NA, JP

Ref.	Part No.	Serial Number	Description	Qty.
1	71355	(007000-) Squeegee Assy, S Br Urethane	1

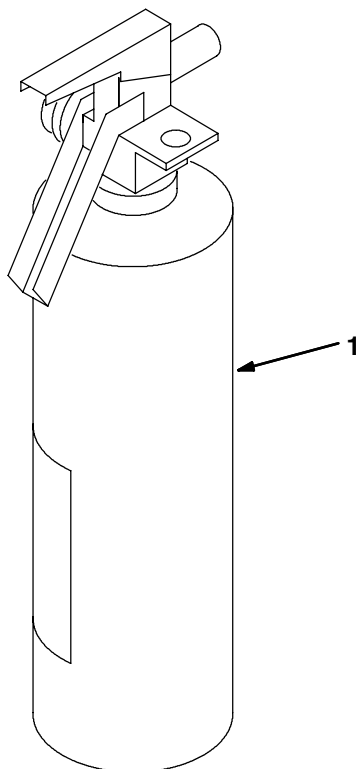
Fig. 16 - Overhead Guard Kit



10781 - NA, JP

Ref.	Part No.	Serial Number	Description	Qty.
▽	25769	(007000-) Guard Kit, Overhead	1
▲	1 25744	(007000-) Tube Wldt, Leg, Ohg, Lh	1
▲	2 25745	(007000-) Tube Wldt, Leg, Ohg, Rh	1
▲	3 25746	(007000-) Guard Wldt, Oh, Top	1

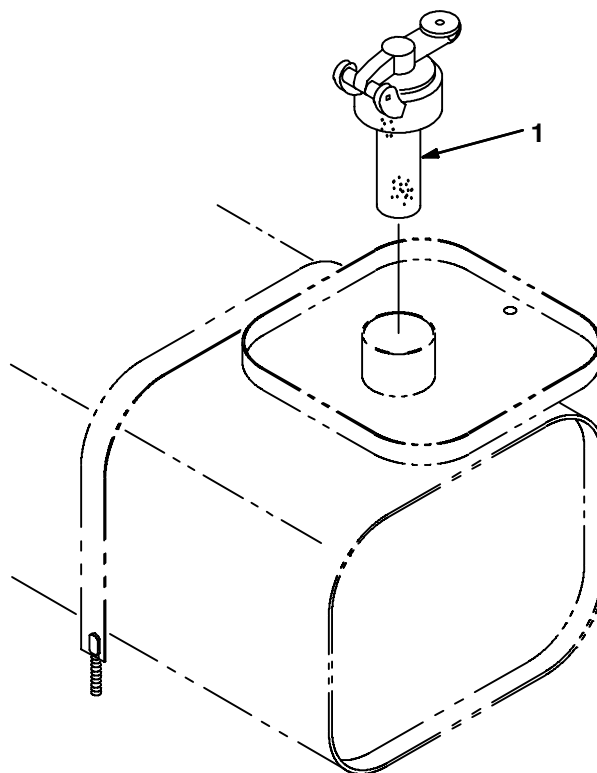
Fig. 17 - Fire Extinguisher Kit



07516 - NA, JP

	Ref.	Part No.	Serial Number	Description	Qty.
▽		20795	(007000-) Extinguisher Kit 7400	1
▲	1	25312	(007000-) Extinguisher, Fire	1

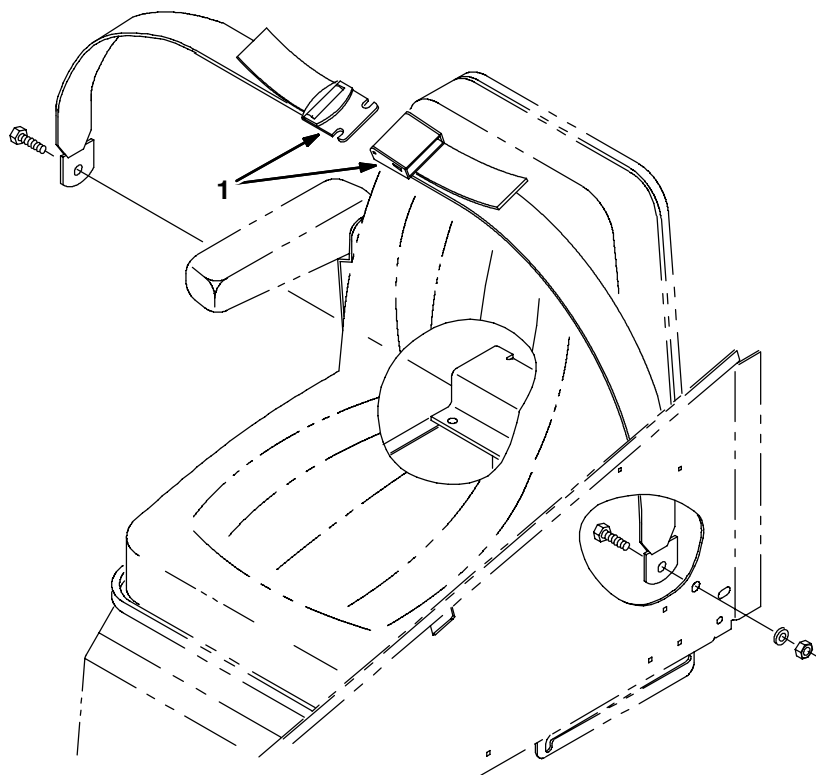
Fig. 18 - Protectoseal Fuel Tank Cap Group (007000-008999)



10835 - ALL

Ref.	Part No.	Serial Number	Description	Qty.
1	02506-6	(007000-008999)	Cap, Fuel, Protectoseal	1

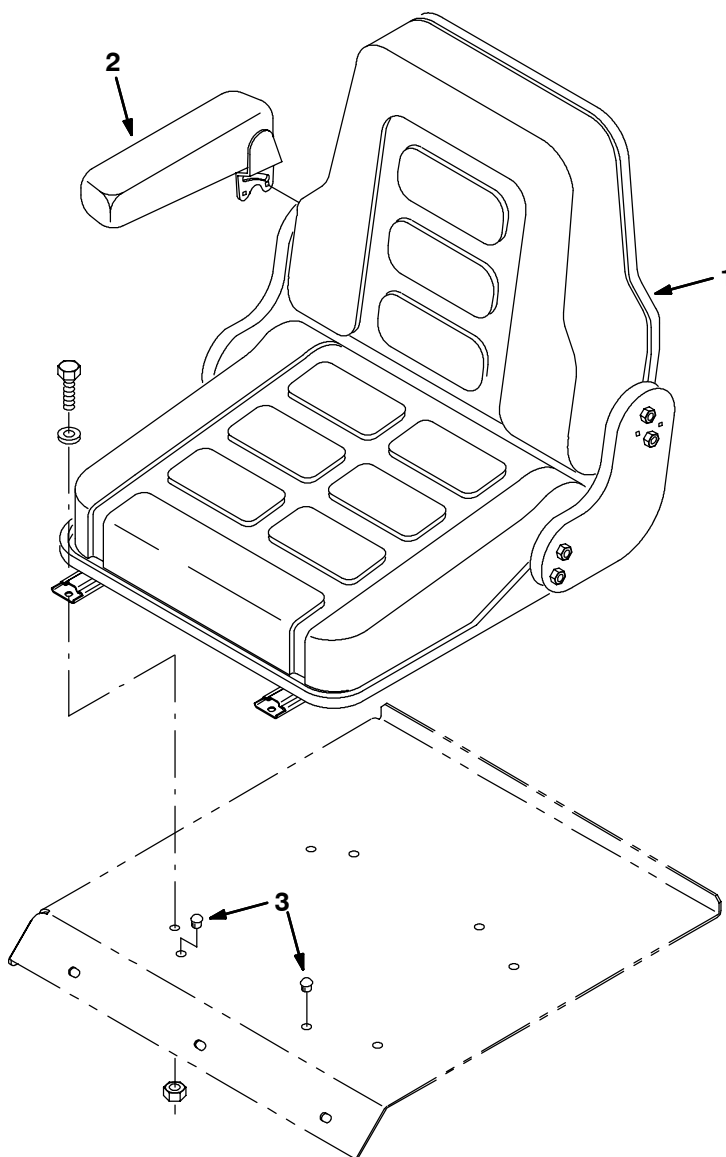
Fig. 19 - Seat Belt Kit



10837 - ALL

	Ref.	Part No.	Serial Number	Description	Qty.
▽		20798	(007000-) Seat Belt Kit 7400	1
▲	1	30533	(007000-) Belt, Seat	1

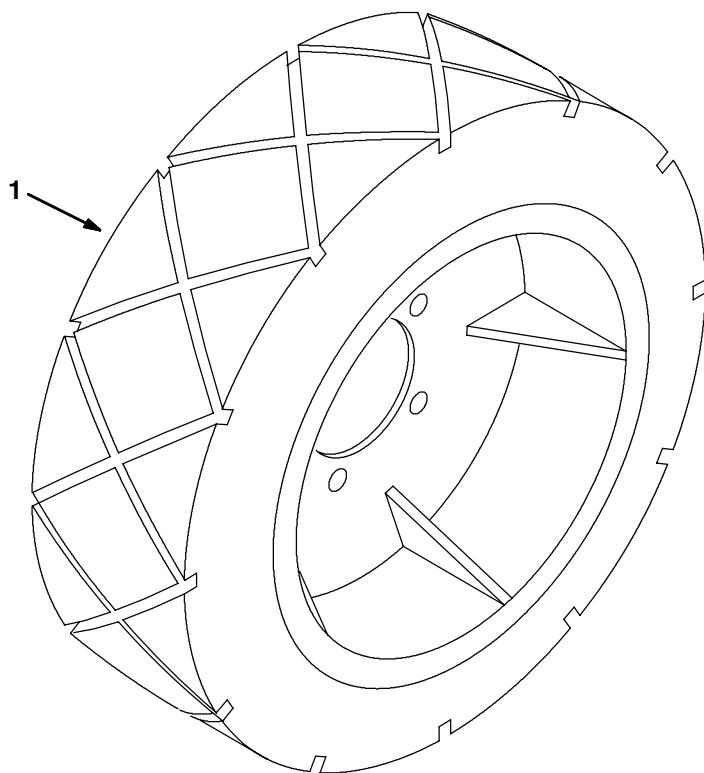
Fig. 20 - Grammer Seat Kit



10839 - NA, JP

Ref.	Part No.	Serial Number	Description	Qty.
▽	20800	(007000-) Seat Kit, Grammer 7400	1
▲	1 53845	(007000-) Seat, Grammer	1
▲	2 71477	(007000-) Armrest Assy,Rh	1
▲	3 33807	(007000-) Button, Plug, 0.44h .03-12	2

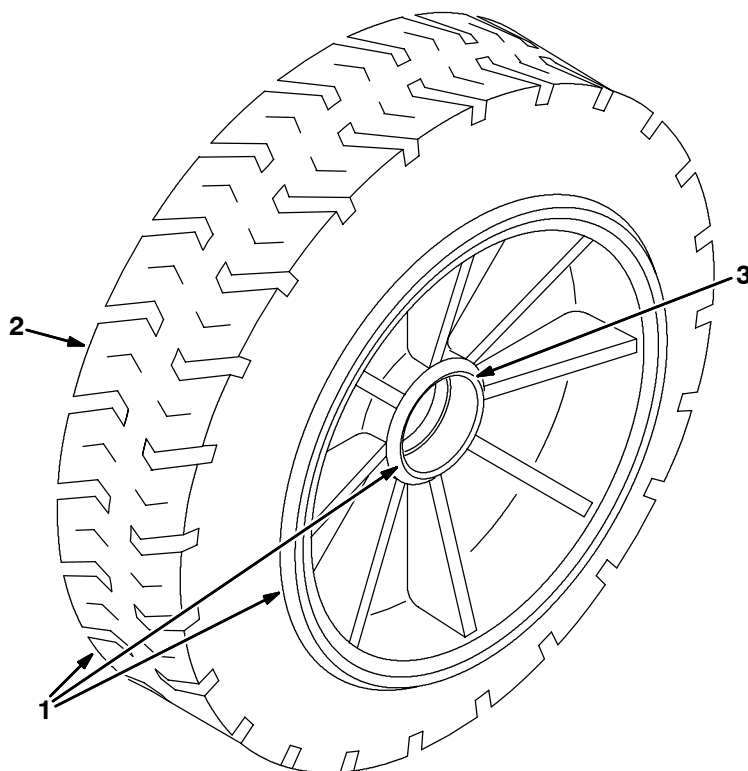
Fig. 21 - Solid High Traction Tire Group



10843 - ALL

Ref.	Part No.	Serial Number	Description	Qty.
1	84597	(007000-) Tire Assy, Solid, High Traction, 18.0 X 6.0 X 4.5Bc	1

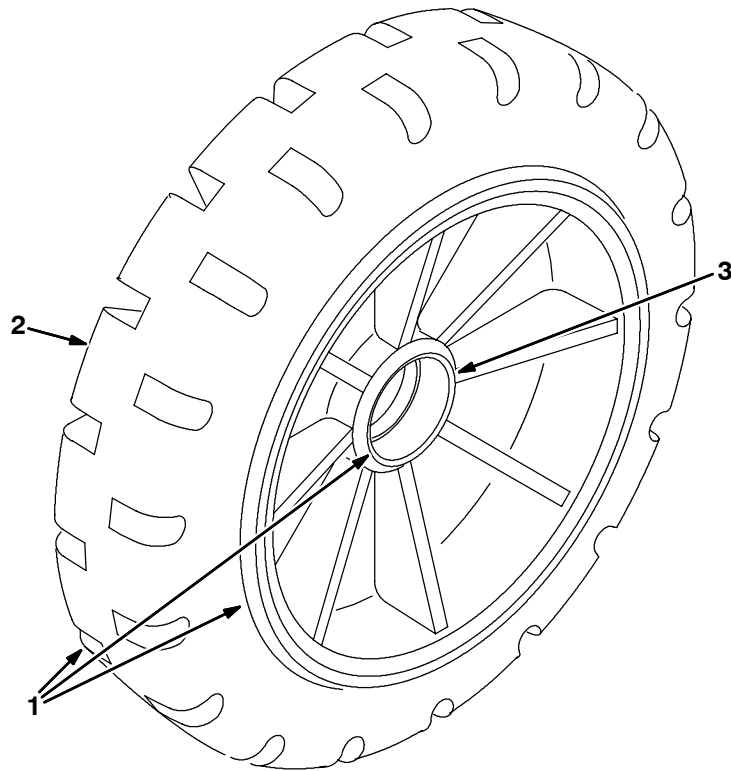
Fig. 22 - Solid Turf Tire and Wheel Assembly



352366 - ALL

	Ref.	Part No.	Serial Number	Description	Qty.
▽	1	374605	(007000-) Tire & Wheel Assy, Solid Turf 18X7	1
▲	2	374604	(007000-) Tire, Solid 18X7X12.12 Turf	1
▲	3	51338	(007000-) Bearing, Cup, 2.56d 0.55w	2

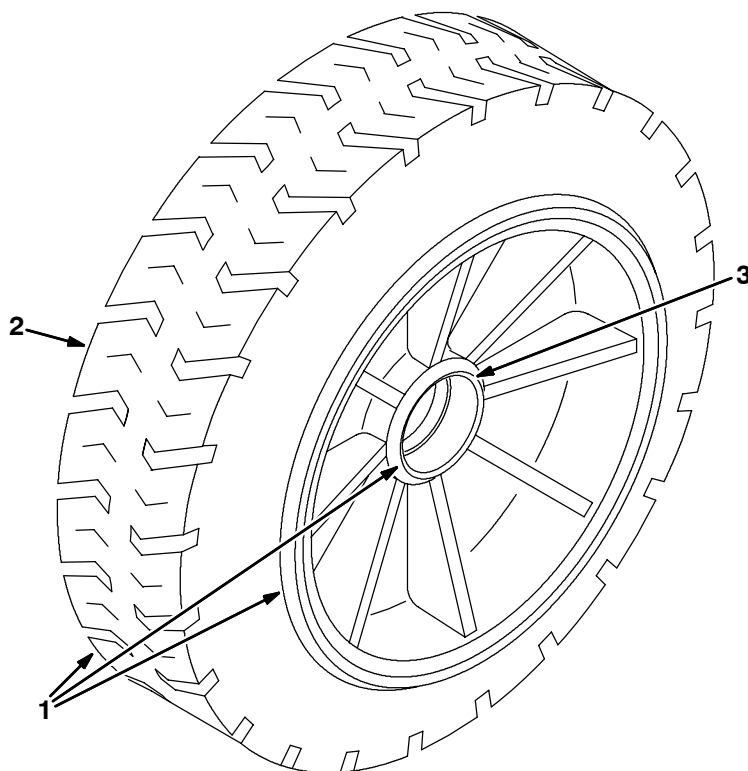
Fig. 23 - Solid Non Marking Tire and Wheel Assembly



352368 - ALL

	Ref.	Part No.	Serial Number	Description	Qty.
▽	1	374608	(007000-) Tire & Wheel Assy, Solid Nonmark	1
▲	2	374607	(007000-) Tire, Solid 18X5X12.12 Nonmark	1
▲	3	51338	(007000-) Bearing, Cup, 2.56d 0.55w	2

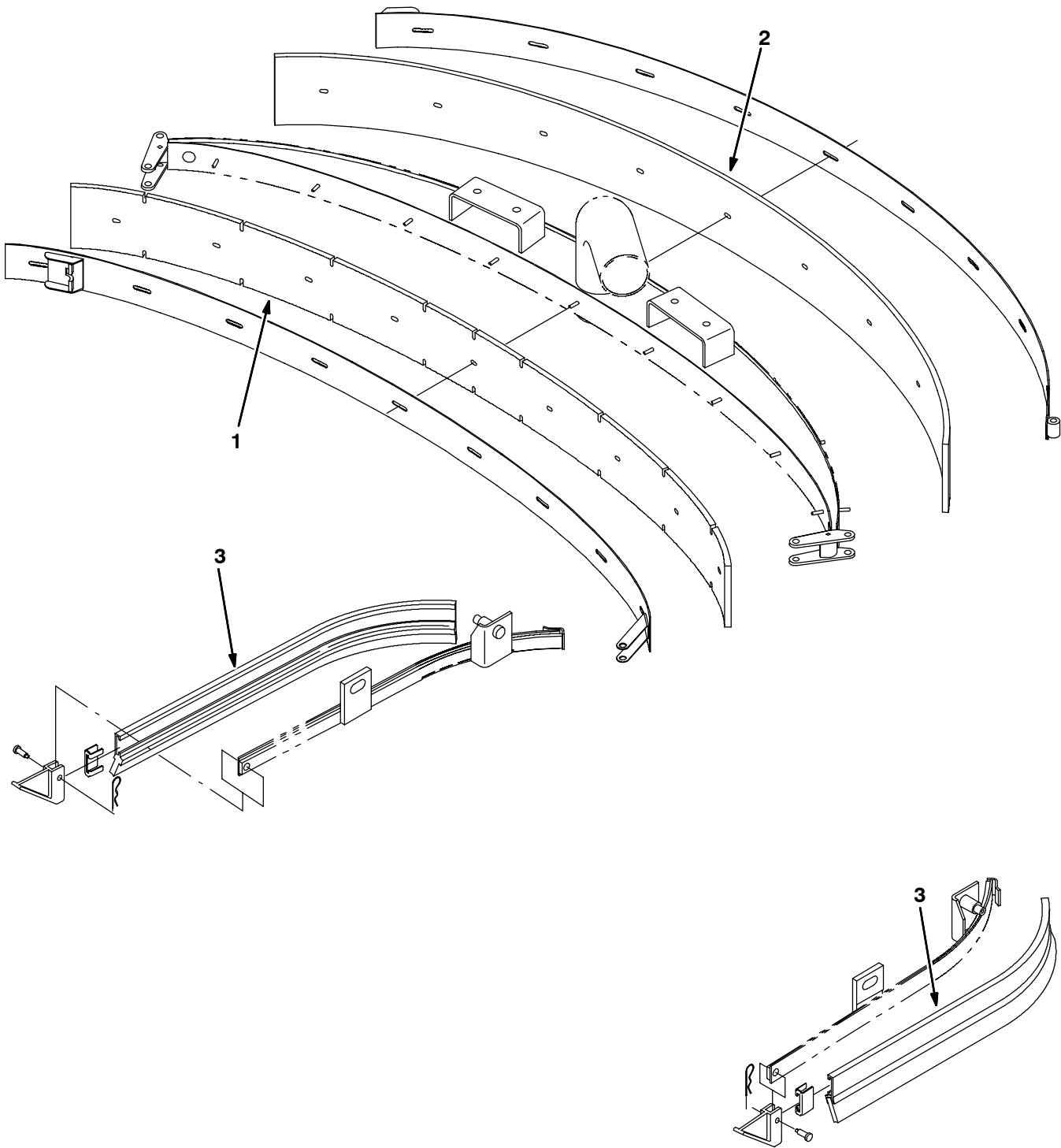
Fig. 24 - Solid Non Marking Turf Tire and Wheel Assembly



352366 - ALL

	Ref.	Part No.	Serial Number	Description	Qty.
▽	1	374689	(007000-) Tire & Wheel Assy, Solid Non MarkingTurf 18X7	1
▲	2	374688	(007000-) Tire, Solid 18X7X12.12 Turf, Non Marking	1
▲	3	51338	(007000-) Bearing, Cup, 2.56d 0.55w	2

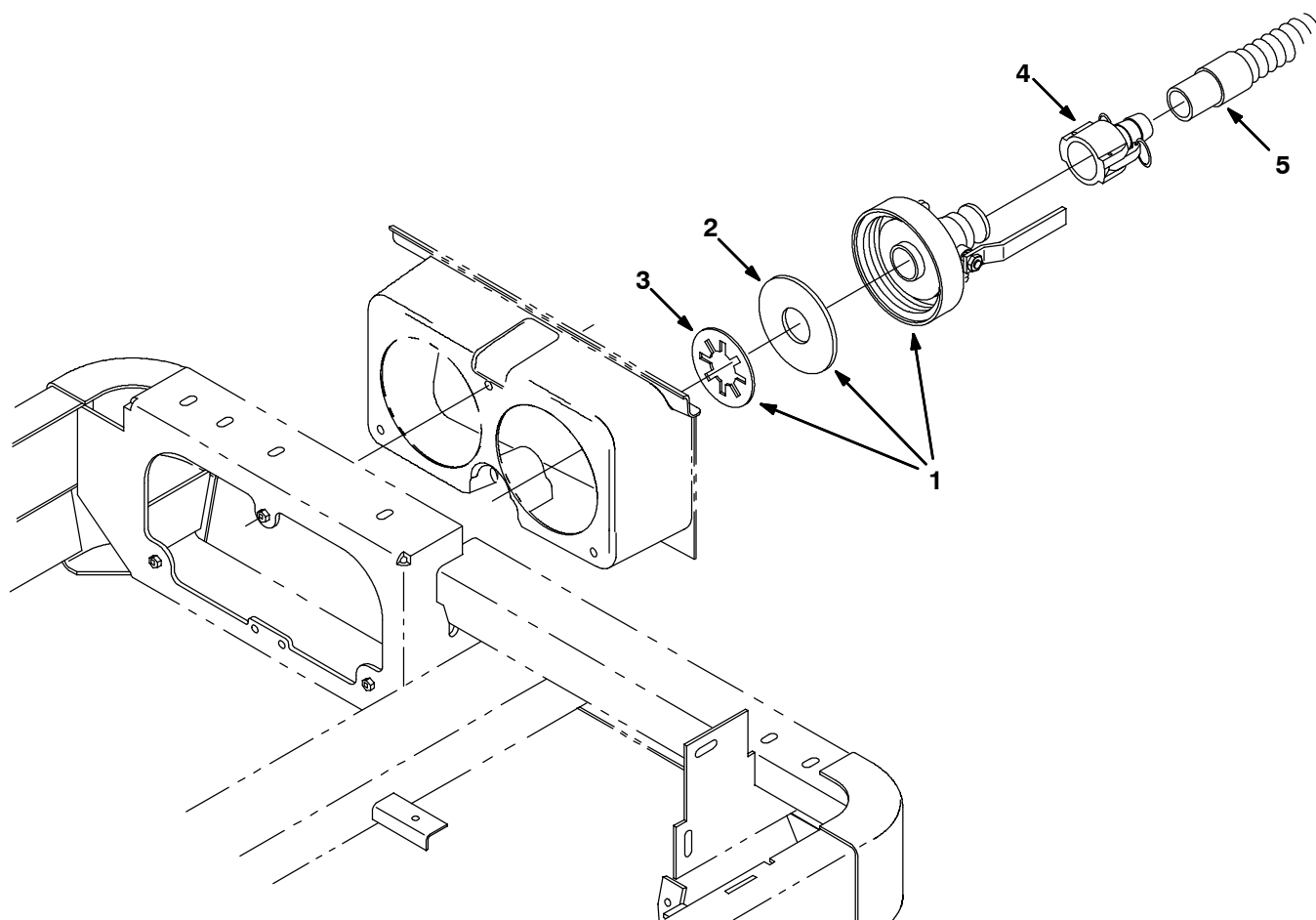
Fig. 25 - Urethane Squeegee Blade Kit



10847 - NA, JP

Ref.	Part No.	Serial Number	Description	Qty.
▽	71357	(007000-) Squeegee Kit, Urethane	1
▲ 1	71353	(007000-) Blade, Squeegee, Front	1
▲ 2	71354	(007000-) Blade, Squeegee, Rear, Urethan	1
▲ 3	12472	(007000-) Squeegee Assy, Side	2

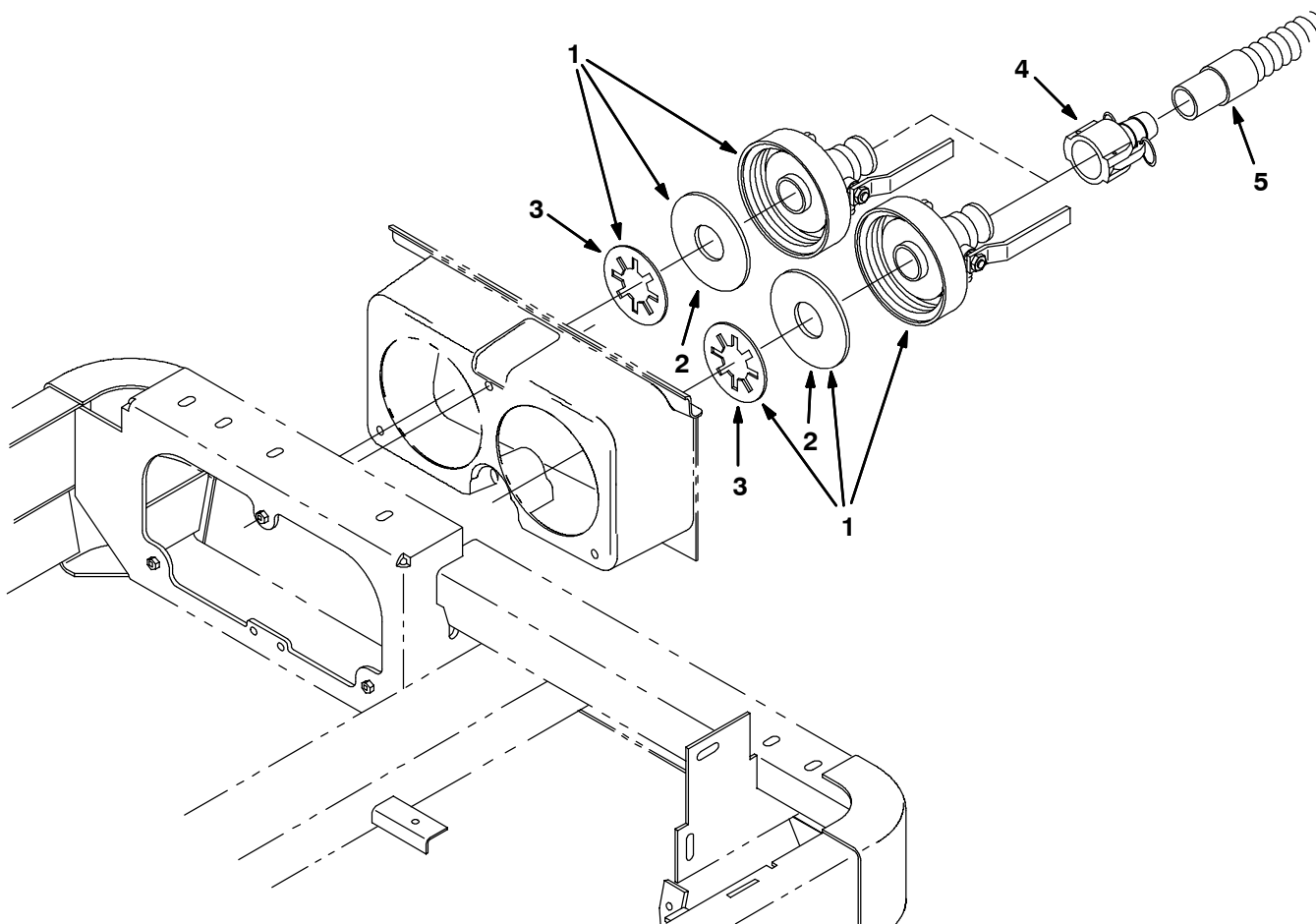
Fig. 26 - Positive Solution Control Drain Kit, Std



10850 - NA, JP

Ref.	Part No.	Serial Number	Description	Qty.
▽	25778	(007000-) Pos Sol Ctrl Drn Sys Kit Std	1
▲▽	1 25783	(007000-) Cap Assy, Pos Drain	1
▲▲	23456	(007000-) Cap, Drain	1
▲▲	375014	(007000-) Kit, Valve Handle	1
▲▲	374618	(007000-) Kit, Seal, Valve	1
▲▲	2 1031700	(007000-) Gasket, .19, 2.00id 5.38od [Buna]	1
▲▲	3 20932	(007000-) Washer, Polyethylene	1
▲	4 48734	(007000-) Coupler, Female X Hose Shank	1
▲	5 75635	(007000-) Hose Assy, W/1cuff, 1.5d 120l 1.5	1

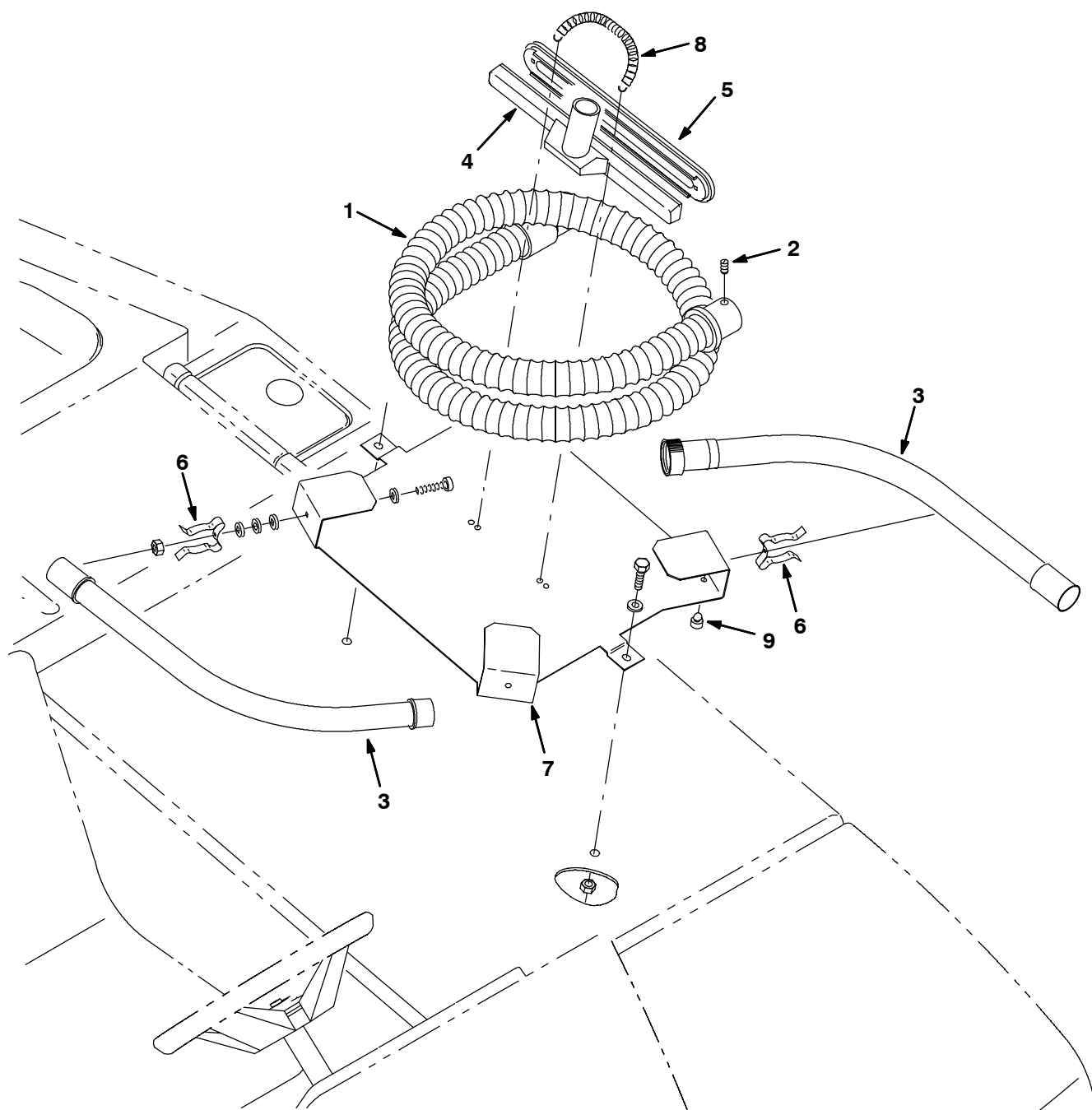
Fig. 27 - Positive Solution Control Drain Kit, ES



10867 - ALL

Ref.	Part No.	Serial Number	Description	Qty.
▽	25781	(007000-) Pos Sol Ctrl Drn Sys Kit, Es	1
▲▽	1 25783	(007000-) Cap Assy, Pos Drain	2
▲▲	23456	(007000-) Cap, Drain	1
▲▲	375014	(007000-) Kit, Valve Handle	1
▲▲	374618	(007000-) Kit, Seal, Valve	1
▲▲	2 1031700	(007000-) Gasket, .19, 2.00id 5.38od [Buna]	1
▲▲	3 20932	(007000-) Washer, Polyethylene	1
▲	4 48734	(007000-) Coupler, Female X Hose Shank	1
▲	5 75635	(007000-) Hose Assy, W/1cuff, 1.5d 120l 1.5	1

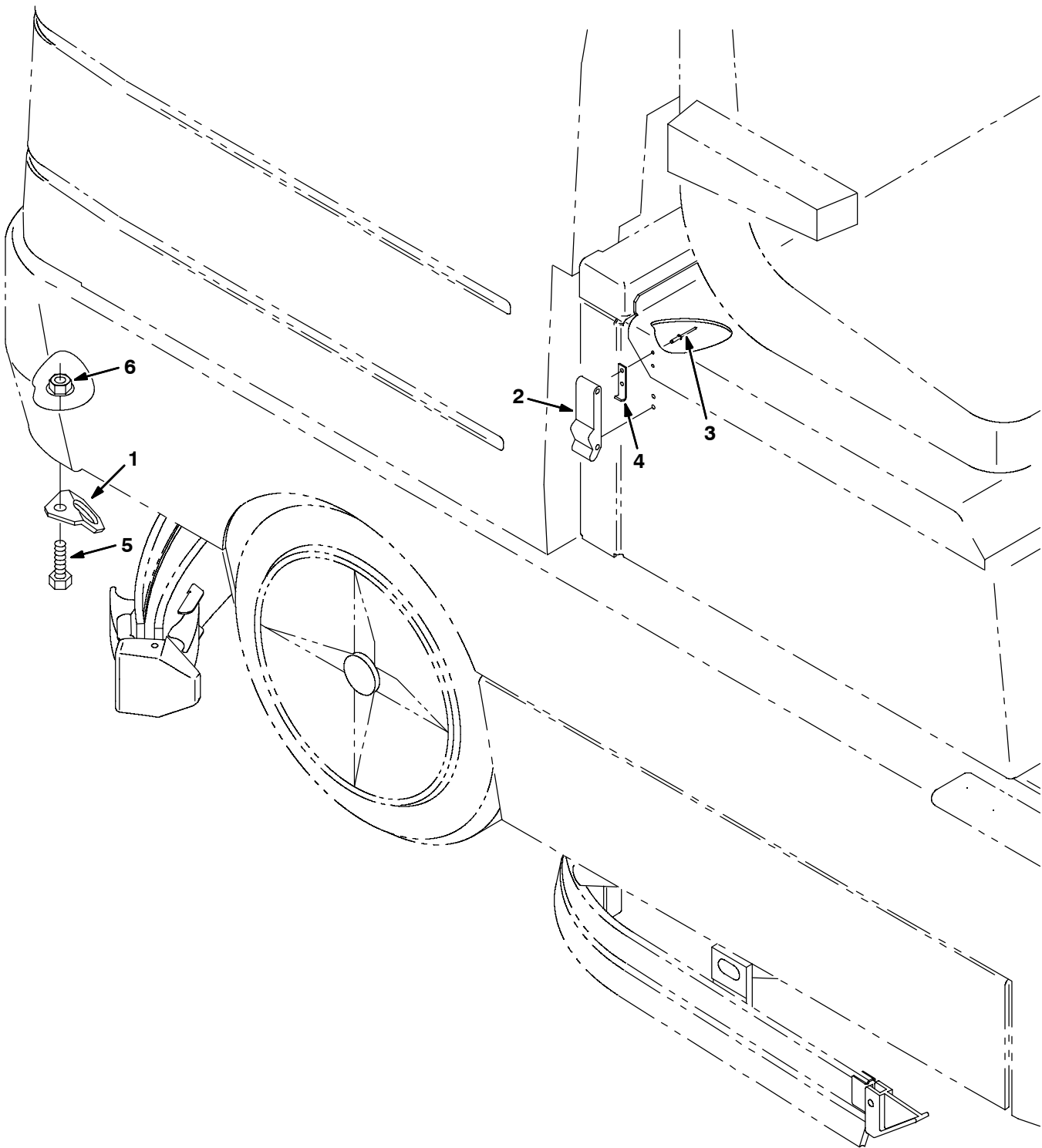
Fig. 28 - Squeegee Wand Kit



10879 - ALL

Ref.	Part No.	Serial Number	Description	Qty.
▽	25775	(007000-) Squeegee Wand Kit 7400	1
▲	1 69657	(007000-) Hose Assy, Wand Kit	1
▲	2 69659	(007000-) Plunger, Spring .38-16	1
▲	3 63448	(007000-) Wand, Metal - 2PC	1
▲	4 63451	(007000-) Nozzle, Plastic Wand 14.0 Lg	1
▲	5 63430	(007000-) Shoe, Plastic-Squeegee 14 In	1
▲	6 67004	(007000-) Clip-Finger Grip	4
▲	7 77322	(007000-) Panel, MTG, Hose	1
▲	8 50304	(007000-) Spring, EXT	1
▲	9 51787	(007000-) Bumper, Rubber	4

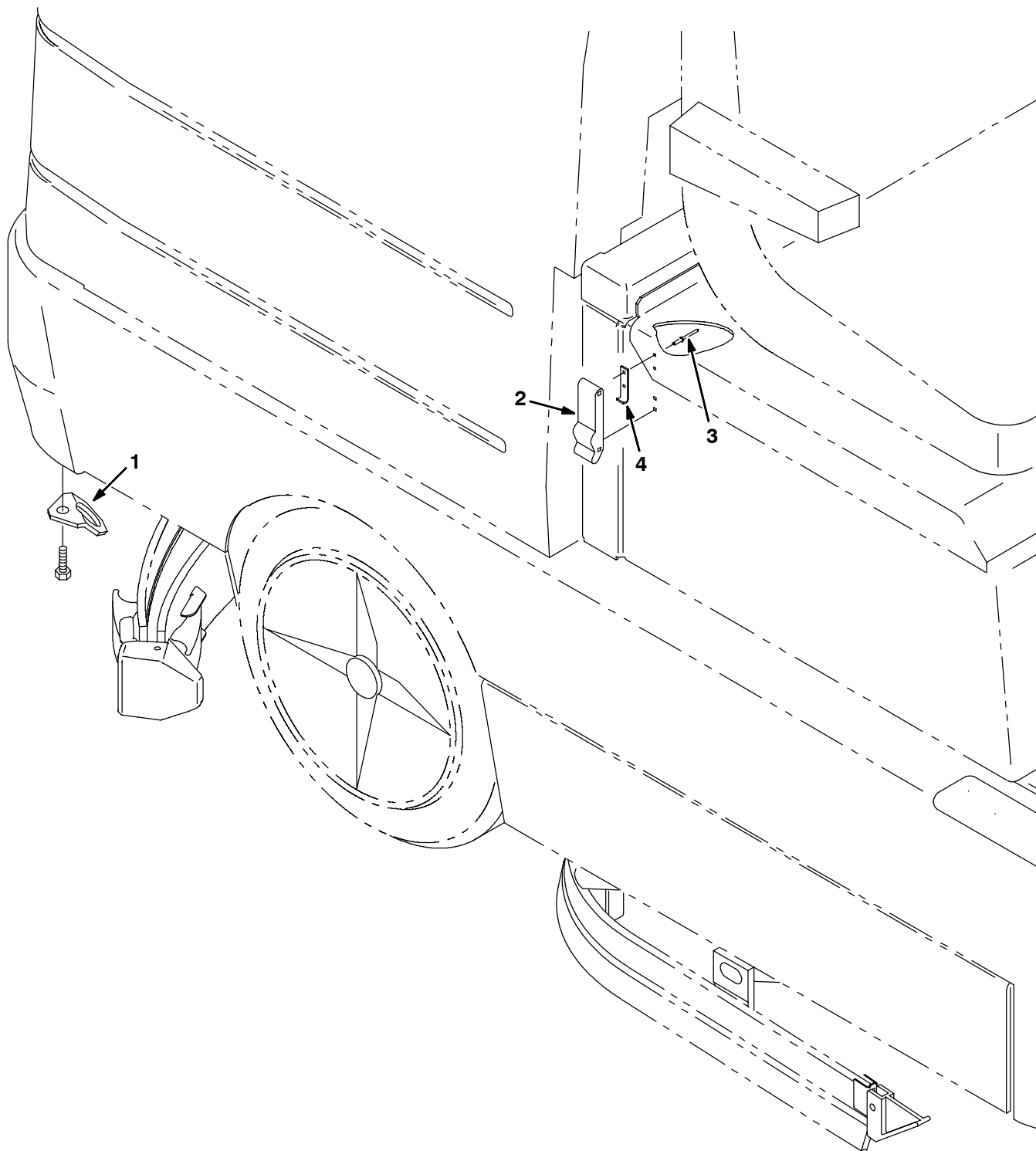
Fig. 29 - Transport Group



10914 - NA, JP

Ref.	Part No.	Serial Number	Description	Qty.
1	14983	(007000-) Bracket Tie Down	4
2	49800	(007000-) Latch, Elastic	1
3	01335	(007000-) Rivet, Pop-.125Dx.44X.25Dhd Al	4
4	78882	(007000-) Bracket, Tiedown, Seat	1
5	39283	(007000-) Screw, Hex, M10 X 1.50 X 25, 8.8	4
6	07792	(007000-) Nut, Hex, Flng, M10 X 1.50	4

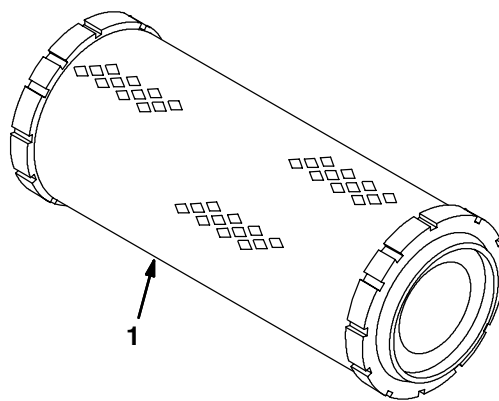
Fig. 29 - Transport Group



10914 - NA, JP

Ref.	Part No.	Serial Number	Description	Qty.
1	14983	(007000-) Bracket Tie Down	4
2	49800	(007000-) Latch, Elastic	1
3	01335	(007000-) Rivet, Pop-.125Dx.44X.25Dhd Al	4
4	78882	(007000-) Bracket, Tiedown, Seat	1

Fig. 30 - Heavy Duty Air Filter Kit



353822 - GM, G, LP

	Ref.	Part No.	Serial Number	Description	Qty.
▽		9000587	(007000-) Filter Kit, Air, Hd, Ci	1
▲	1	398279	(007000-) Element, Fltr, Air, Safety	1

Fig. 31 - Documentation Group

07501 - G, LP, GM

Ref.	Part No.	Serial Number	Description	Qty.
1	330970	(007000-) Manual Pkg, [7400 Gas/Lpg Na]	1
2	371790	(007000-) Manual, Service, Eng, [Gm 1.6l]	1
3	MM428	(007000-) Manual, Service	1
4	25773	(007000-) Tape, Video, Operator 7400	1
5	330972	(007000-) Manual, Oprtr, [7400 Gas/Lpg Es Na]	1
5	330973	(007000-) Manual, Oprtr, [7400 Gas/Lpg Fr Na]	1
6	330710	(007000-) Manual, Cd-Rom, Oprtr & Parts, All (NA)	1

SECTION 4

Contents	Page
Fig. 1 - Hydraulic Pump Breakdown, 373453	4-2
Fig. 2 - Hydraulic Pump Breakdown, 71716	4-4
Fig. 3 - Hydraulic Motor Breakdown, 22604	4-6
Fig. 4 - Hydraulic Steering Valve Breakdown, 71713	4-8
Fig. 5 - Hydraulic Solenoid Valve Breakdown, 71705	4-10
Fig. 6 - Hydraulic Solenoid Valve Breakdown, Side Brush 71760	4-12
Fig. 7 - Hydraulic Solenoid Valve Breakdown, Nylon Brush, 71761	4-14
Fig. 8 - Hydraulic Solenoid Valve Breakdown, Side Brush and Nylon Brush, 71762	4-16
Fig. 9 - Hydraulic Solenoid Valve Breakdown, 71708	4-18
Fig. 10 - Extended Scrub Pump Breakdown, 20891	4-20
Fig. 11 - Extended Scrub Pump Breakdown, 1021210	4-22
Fig. 12 - Hydraulic Motor Breakdown, 397692	4-24
Fig. 13 - Hydraulic Motor Breakdown, 73112	4-25
Fig. 14 - Hydraulic Motor Breakdown, 71719	4-26
Fig. 15 - Hydraulic Flow Sensor Switch Breakdown, 73430	4-27
Fig. 16 - Metering Solution Pump Breakdown, 73260	4-28
Fig. 17 - Hydraulic Motor Breakdown, 71729	4-29

Fig. 1 - Hydraulic Pump Breakdown, 373453

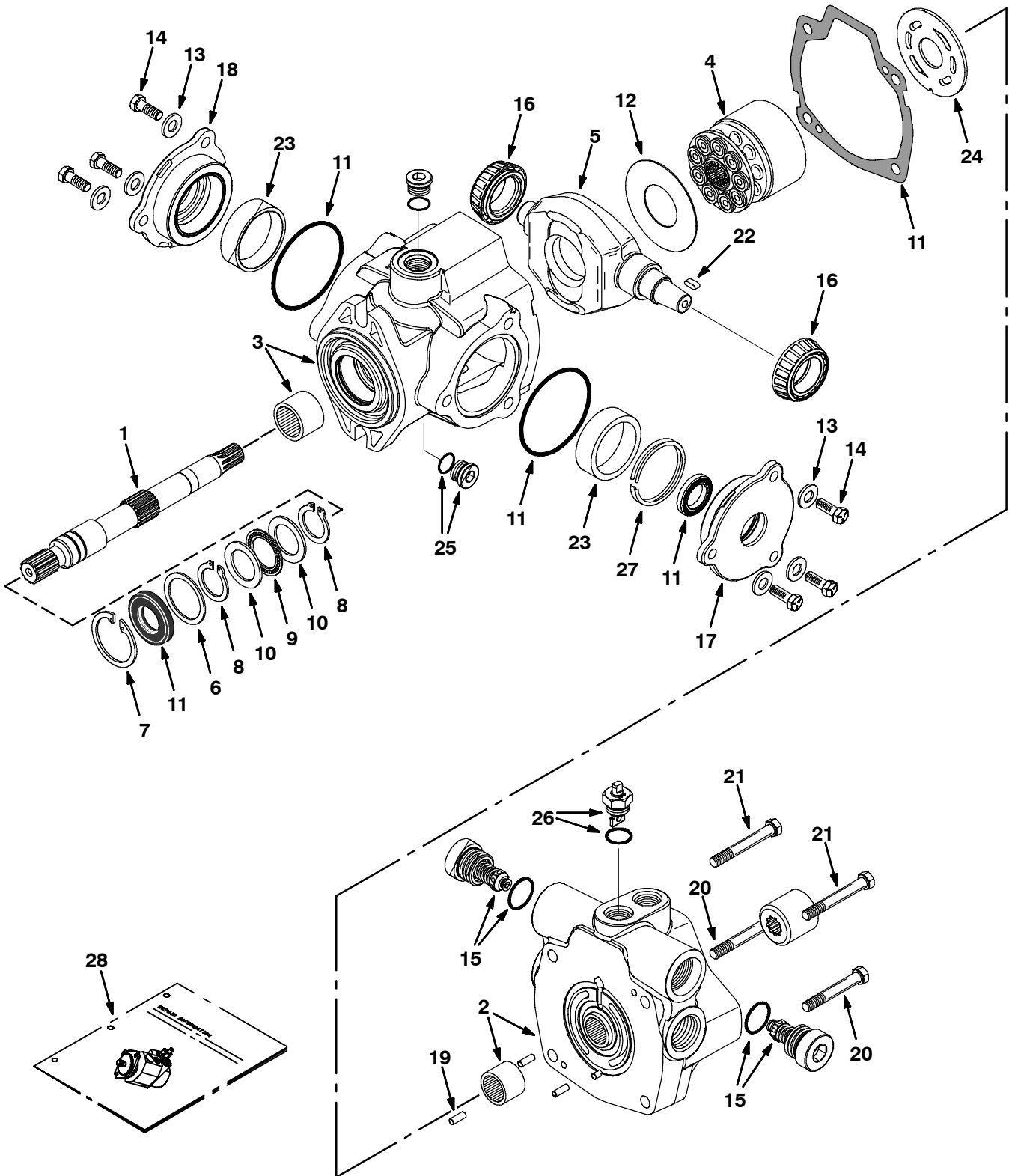


Fig. 1 - Hydraulic Pump Breakdown, 373453

Ref.	Part No.	Serial Number	Description	Qty.
▽	373453	(000000-) Pump, Hyd, Piston [V] 1.24 [R] 4000	1
▲	1 21925	(000000-) Shaft, Drive, Pump, Hyd	1
▲	2 373427	(000000-) Cover, End	1
▲	3 373389	(000000-) Housing	1
▲	4 02706	(000000-) Kit, Rotating, Pump, Hyd	1
▲	5 373493	(000000-) Plate, Cam	1
▲	6 70096	(000000-) Washer, Flat, Pump, Hyd	1
▲	7 55926	(000000-) Ring, Retaining, Pump, Hyd	1
▲	8 373434	(000000-) Ring, Retining	2
▲	9 74225	(000000-) Bearing, Thrust, Pump, Hyd	1
▲	10 74226	(000000-) Race, Bearing, Pump, Hyd	2
▲	11 373398	(000000-) Kit, Seal, Hyd, Pump	1
▲	12 373327	(000000-) Insert, Plate, Cam, Pump, Hyd	1
▲	13 373391	(000000-) Washer, Pump, Hyd	6
▲	14 373346	(000000-) Screw, Cap	6
▲	15 373494	(000000-) Valve, Relief, 4000 Psi	1
▲	16 373317	(000000-) Bearing, Cone, Pump, Hyd	2
▲	17 373393	(000000-) Plate, Cover	1
▲	18 373394	(000000-) Plate, Cover	1
▲	19 70100	(000000-) Pin, Dowel, Pump, Hyd	2
▲	20 373347	(000000-) Screw, Cap	2
▲	21 373348	(000000-) Screw, Cap	2
▲	22 74237	(000000-) Key, Shaft, Pump, Hyd	1
▲	23 373395	(000000-) Bearing, Cup	2
▲	24 74180	(000000-) Plate, Valve, Pump, Hyd	1
▲	25 13907	(000000-) Fitting, Plug, O-Ring	1
▲	26 373413	(000000-) Actuator, Valve, Bypass	1
▲	27 373402	(000000-) Kit, Shim	1
▲	28 373429	(000000-) Instr, Repair, Pump	1

Fig. 2 - Hydraulic Pump Breakdown, 71716

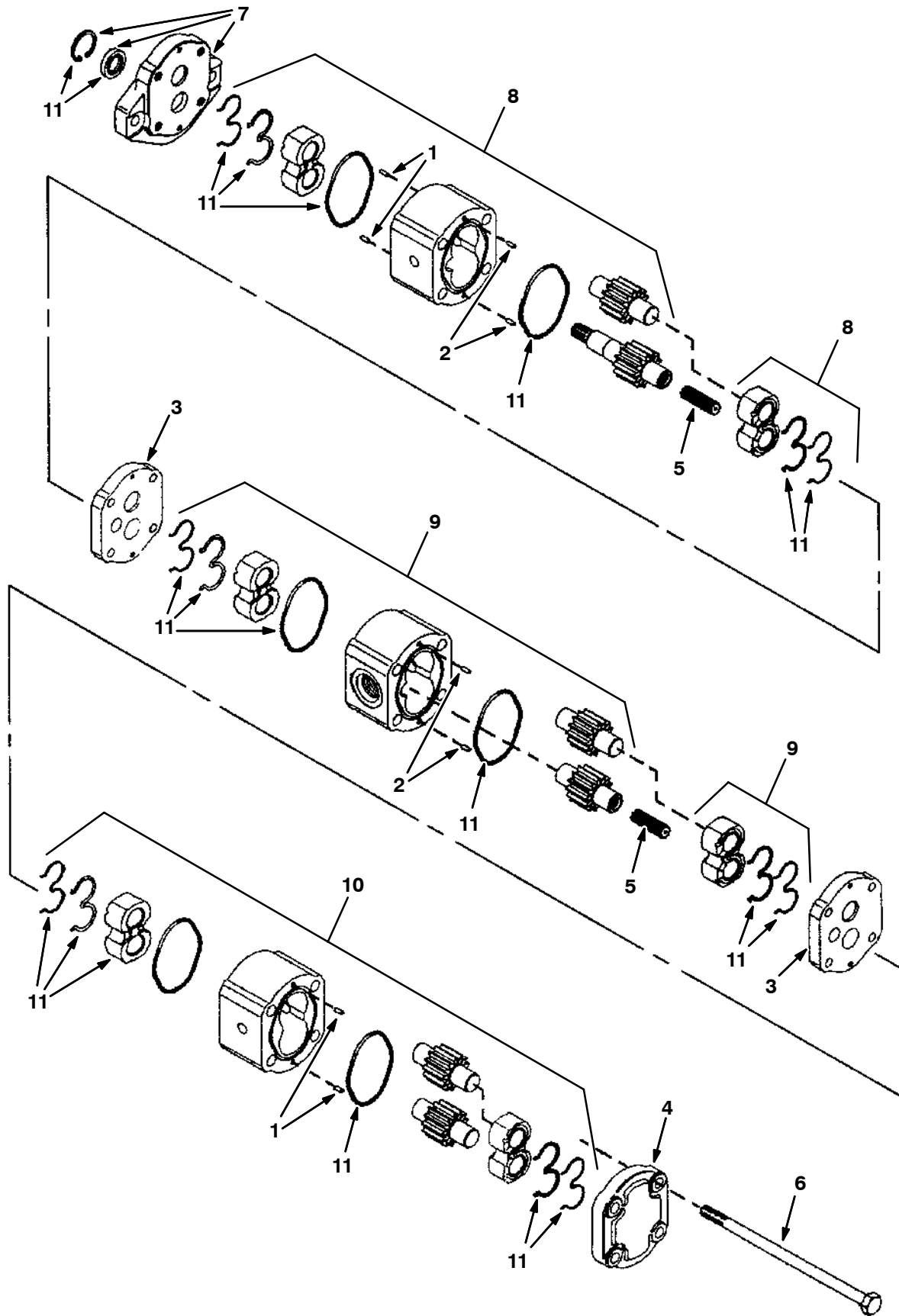


Fig. 2 - Hydraulic Pump Breakdown, 71716

	Ref.	Part No.	Serial Number	Description	Qty.
▽		71716	(000000-) Pump, Hyd	1
▲	1	21936	(000000-) Dowel Pin	4
▲	2	21937	(000000-) Dowel Pin	4
▲	3	21938	(000000-) Distance Plate	2
▲	4	21939	(000000-) End Cover	1
▲	5	21940	(000000-) Spline Coupling	2
▲	6	21941	(000000-) Bolt	4
▲	7	21942	(000000-) Flange Kit	1
▲	8	21943	(000000-) Pump Kit, Sec#1	1
▲	9	21944	(000000-) Pump Kit, Sec#2	1
▲	10	21945	(000000-) Pump Kit, Sec#3	1
▲	11	21946	(000000-) Seal Kit, Pump	1

Fig. 3 - Hydraulic Motor Breakdown, 22604

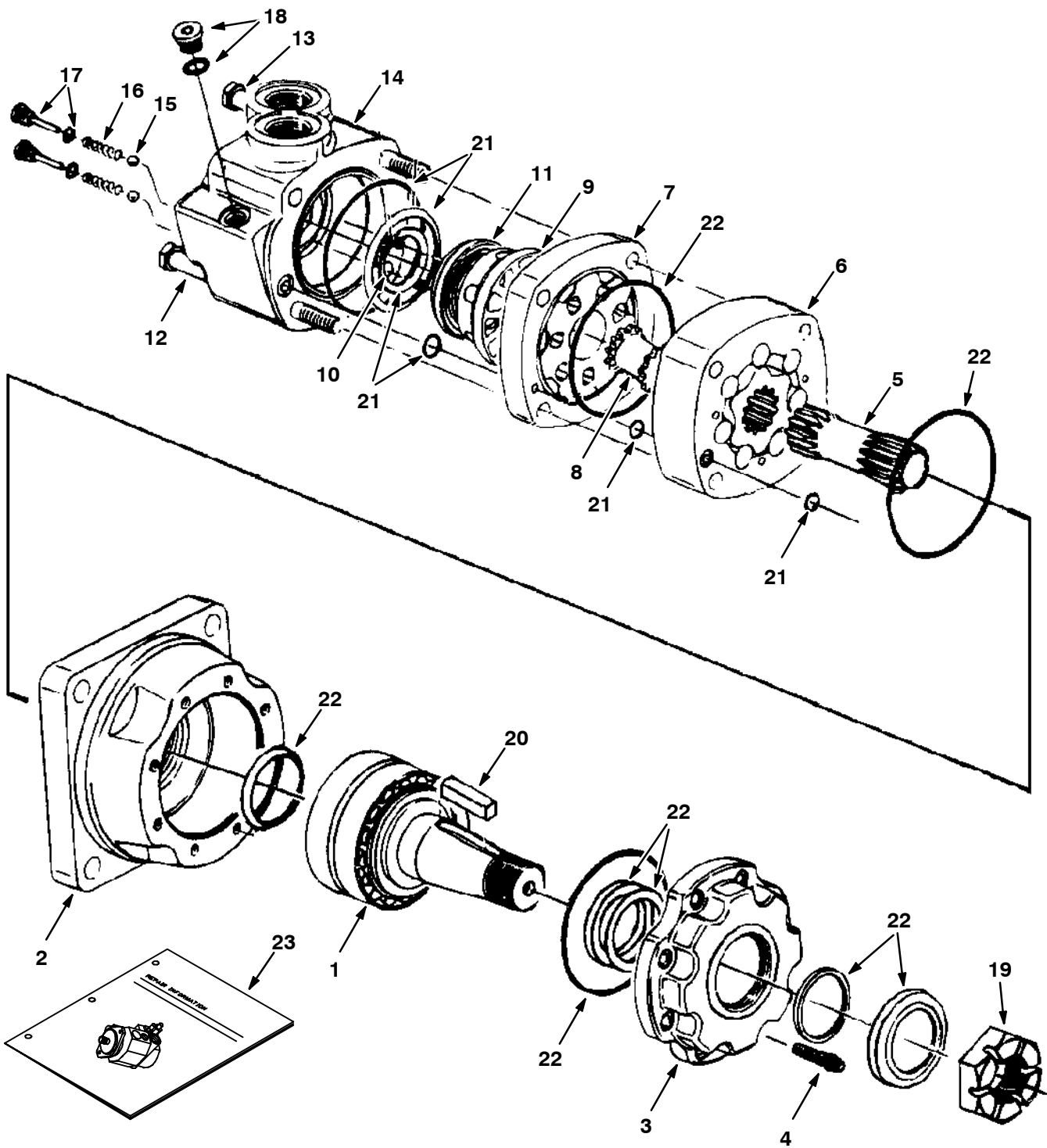


Fig. 3 - Hydraulic Motor Breakdown, 22604

Ref.	Part No.	Serial Number	Description	Qty.
▽	22604	(000000-) Motor, Hyd Gear	1
▲	1 74165	(000000-) Shaft S-A	1
▲	2 74166	(000000-) Housing, Brg	1
▲	3 74167	(000000-) Retainer, Frt	1
▲	4 74168	(000000-) Screw, Cap	8
▲	5 37616	(000000-) Drive	1
▲	6 37756	(000000-) Geroler	1
▲	7 74122	(000000-) Plate, Valve	1
▲	8 52405	(000000-) Valve	1
▲	9 74123	(000000-) Valve	1
▲	10 34178	(000000-) Spring	2
▲	11 38968	(000000-) Ring	1
▲	12 74125	(000000-) Bolt	3
▲	13 38255	(000000-) Bolt	1
▲	14 74171	(000000-) Housing Assy,	1
▲	15 37766	(000000-) Ball	2
▲	16 34179	(000000-) Spring	2
▲	17 74137	(000000-) Plug Assembly	2
▲	18 74098	(000000-) Plug #4	1
▲	19 45622	(000000-) Nut	1
▲	20 45623	(000000-) Key	1
▲	21 33580	(000000-) Seal Kit, Rear	1
▲	22 79828	(000000-) Seal Kit, Shaft	1
▲	23 74249	(000000-) Instr. Repair Info, Motor	1

Fig. 4 - Hydraulic Steering Valve Breakdown, 71713

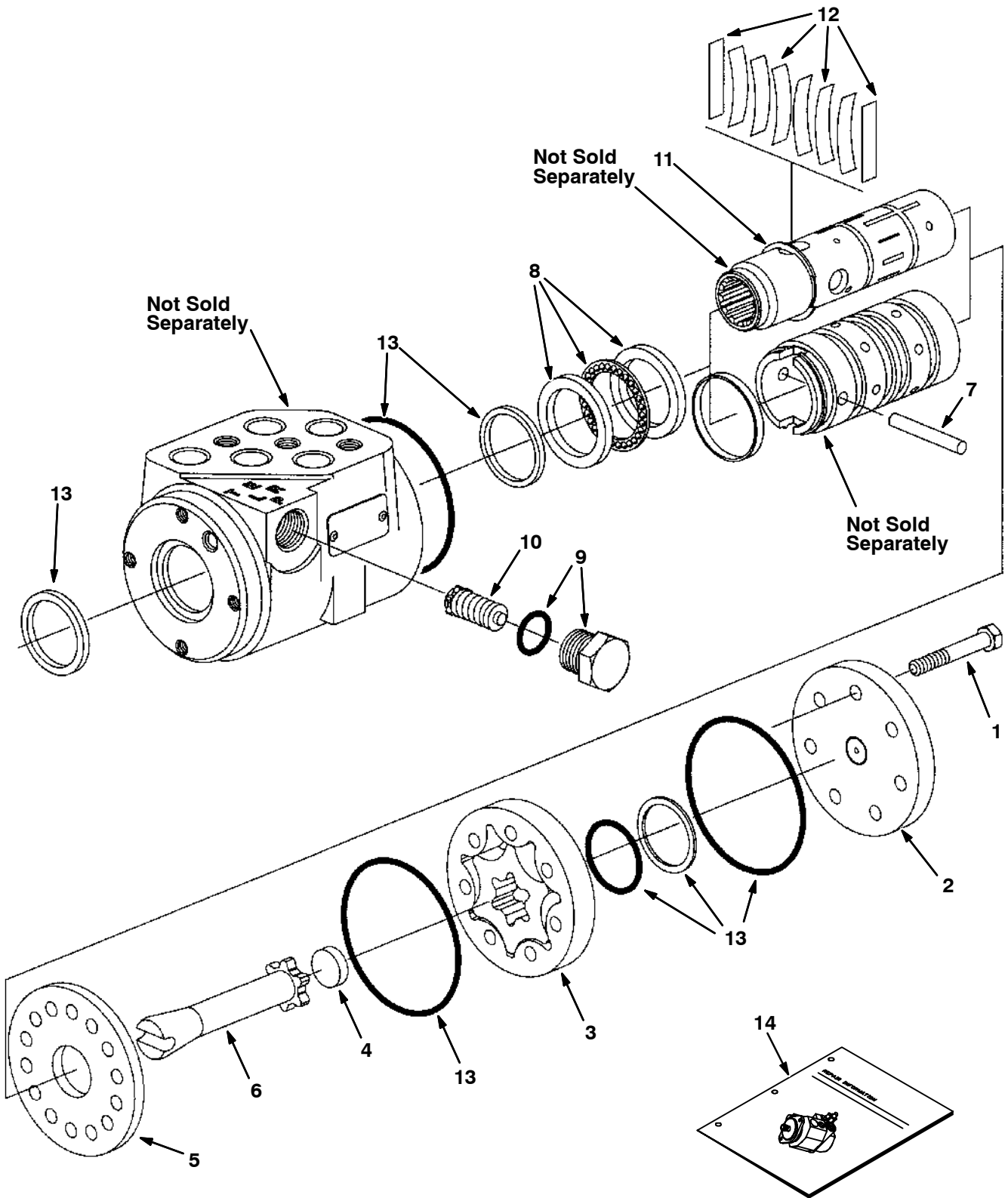


Fig. 4 - Hydraulic Steering Valve Breakdown, 71713

	Ref.	Part No.	Serial Number	Description	Qty.
▽		71713	(000000-) Steer Control, Hyd#2 06.1 1160	1
▲	1	74183	(000000-) Screw, Cap	7
▲	2	74185	(000000-) Cap, End	1
▲	3	74192	(000000-) Gerotor	1
▲	4	74193	(000000-) Spacer	1
▲	5	74222	(000000-) Plate, Wear	1
▲	6	74231	(000000-) Drive	1
▲	7	74232	(000000-) Pin	1
▲	8	21935	(000000-) Bearing Kit	1
▲	9	21933	(000000-) Plug Assembly	1
▲	10	21934	(000000-) Relief Vlv Assy	1
▲	11	74243	(000000-) Ring, Retaining	1
▲	12	74196	(000000-) Spring Kit	1
▲	13	74244	(000000-) Seal Kit, Stg	1
▲	14	74245	(000000-) Instr.Repair Info	1

Fig. 5 - Hydraulic Solenoid Valve Breakdown, 71705

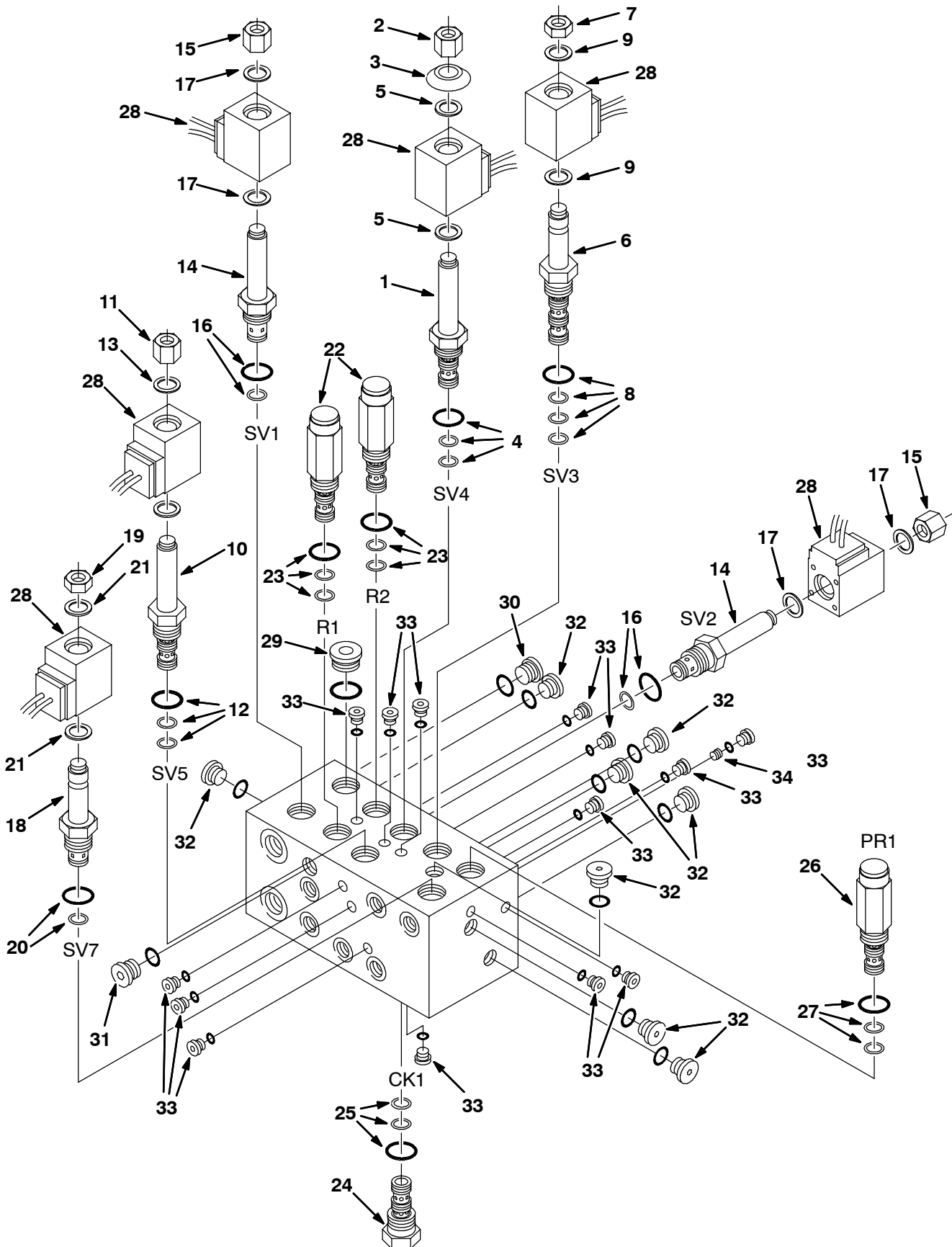


Fig. 5 - Hydraulic Solenoid Valve Breakdown, 71705

	Ref.	Part No.	Serial Number	Description	Qty.
▽		71705	(000000-) Valve, Hyd Cntrl Sol	1
▲▽	1	25858	(000000-) Cartridge Repl Kit Std Brush	1
▲▲	2	79731	(000000-) Nut, Cart., Lng	1
▲▲	3	21923	(000000-) Spacer, Coil	1
▲▲	4	79711	(000000-) Seal Kit, Cart	1
▲▲	5	79740	(000000-) Seal Kit, Coil	1
▲▽	6	79719	(000000-) Valve Stem 4W2P	1
▲▲	7	79728	(000000-) Nut, Cart	1
▲▲	8	79711	(000000-) Seal Kit, Cart	1
▲▲	9	79740	(000000-) Seal Kit, Coil	1
▲▽	10	21906	(000000-) Valve Stem 3W2P	1
▲▲	11	79731	(000000-) Nut, Cart., Lng	1
▲▲	12	79711	(000000-) Seal Kit, Cart	1
▲▲	13	79740	(000000-) Seal Kit, Coil	1
▲▽	14	79739	(000000-) Stem, Valve	2
▲▲	15	79731	(000000-) Nut, Cart., Lng	1
▲▲	16	79711	(000000-) Seal Kit, Cart	1
▲▲	17	79740	(000000-) Seal Kit, Coil	1
▲▽	18	21907	(000000-) Valve Stem N.C.	1
▲▲	19	79728	(000000-) Nut, Cart	1
▲▲	20	79711	(000000-) Seal Kit, Cart	1
▲▲	21	79740	(000000-) Seal Kit, Coil	1
▲▽	22	65240	(000000-) Valve, Relief	2
▲▲	23	79711	(000000-) Seal Kit, Cart	1
▲▽	24	21919	(000000-) Cart,Pilot Chk	1
▲▲	25	79711	(000000-) Seal Kit, Cart	1
▲▽	26	21904	(000000-) Cart, Psi	1
▲▲	27	79711	(000000-) Seal Kit, Cart	1
▲	28	21916	(000000-) Coil, 12V	6
▲	29	74099	(000000-) Plug #10	1
▲	30	13907	(000000-) Plug #8	1
▲	31	13904	(000000-) Plug Gage #6	1
▲	32	74098	(000000-) Plug #4	7
▲	33	13902	(000000-) Plug #2	14
▲	34	21920	(000000-) Vr, Plug, Orifice Cp	1

Note: Scrub Brushes Must Be Matched With Proper Hydraulic Cartridge.

Fig. 6 - Hydraulic Solenoid Valve Breakdown, Side Brush 71760

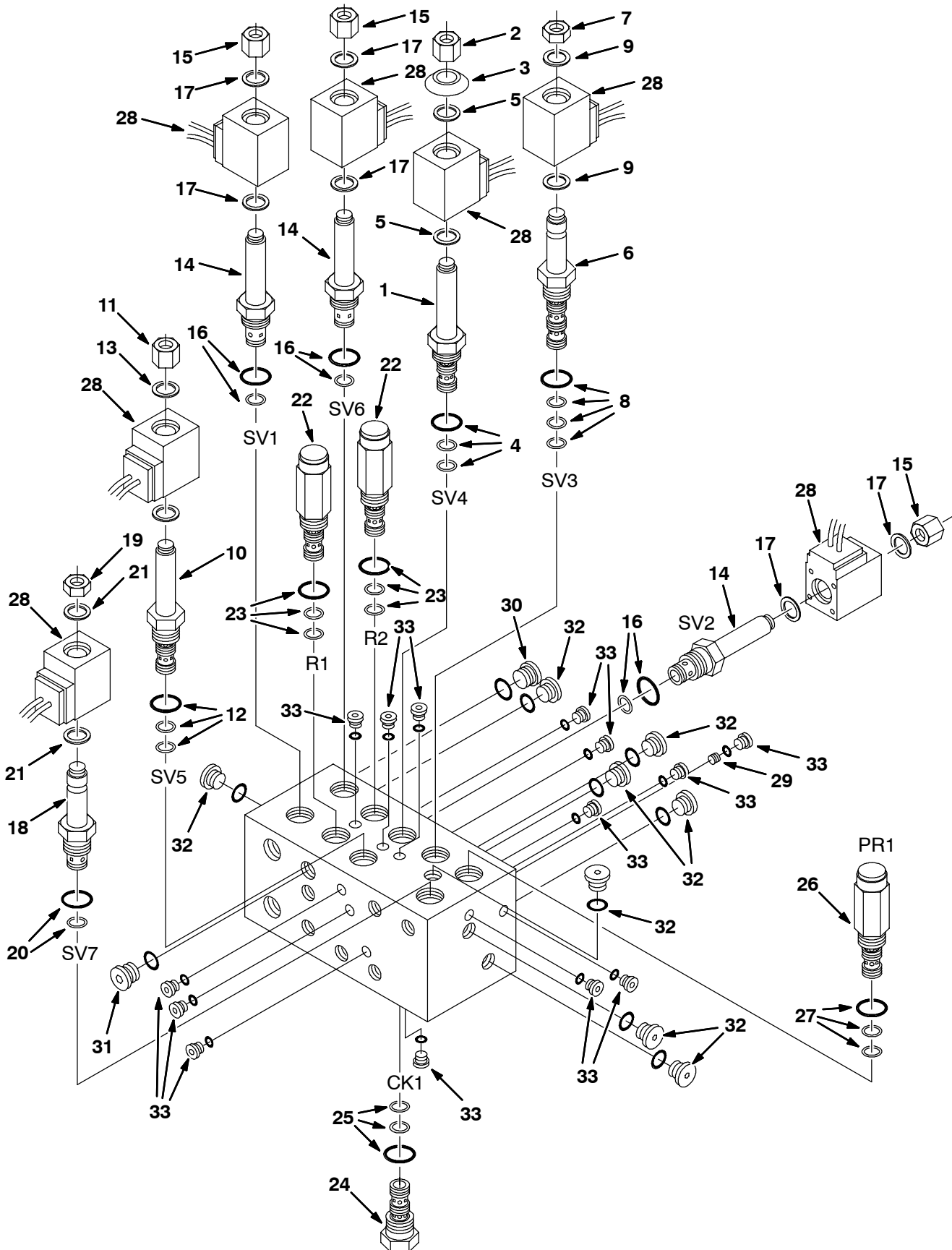


Fig. 6 - Hydraulic Solenoid Valve Breakdown, Side Brush 71760

	Ref.	Part No.	Serial Number	Description	Qty.
▽		71760	(000000-) Valve Assy, Side Brush	1
▲▽	1	25858	(000000-) Cartridge Repl Kit Std Brush	1
▲▲	2	79731	(000000-) Nut, Cart., Lng	1
▲▲	3	21923	(000000-) Spacer, Coil	1
▲▲	4	79711	(000000-) Seal Kit, Cart	1
▲▲	5	79740	(000000-) Seal Kit, Coil	1
▲▽	6	79719	(000000-) Valve Stem 4W2P	1
▲▲	7	79728	(000000-) Nut, Cart	1
▲▲	8	79711	(000000-) Seal Kit, Cart	1
▲▲	9	79740	(000000-) Seal Kit, Coil	1
▲▽	10	21906	(000000-) Valve Stem 3W2P	1
▲▲	11	79731	(000000-) Nut, Cart., Lng	1
▲▲	12	79711	(000000-) Seal Kit, Cart	1
▲▲	13	79740	(000000-) Seal Kit, Coil	1
▲▽	14	79739	(000000-) Stem, Valve	3
▲▲	15	79731	(000000-) Nut, Cart., Lng	1
▲▲	16	79711	(000000-) Seal Kit, Cart	1
▲▲	17	79740	(000000-) Seal Kit, Coil	1
▲▽	18	21907	(000000-) Valve Stem N.C.	1
▲▲	19	79728	(000000-) Nut, Cart	1
▲▲	20	79711	(000000-) Seal Kit, Cart	1
▲▲	21	79740	(000000-) Seal Kit, Coil	1
▲▽	22	65240	(000000-) Valve, Relief	2
▲▲	23	79711	(000000-) Seal Kit, Cart	1
▲▽	24	21919	(000000-) Cart,Pilot Chk	1
▲▲	25	79711	(000000-) Seal Kit, Cart	1
▲▽	26	21904	(000000-) Cart, Psi	1
▲▲	27	79711	(000000-) Seal Kit, Cart	1
▲	28	21916	(000000-) Coil, 12V	7
▲	29	21920	(000000-) Vr, Plug, Orifice Cp	1
▲	30	13907	(000000-) Plug #8	1
▲	31	13904	(000000-) Plug Gage #6	1
▲	32	74098	(000000-) Plug #4	7
▲	33	13902	(000000-) Plug #2	14

Note: Scrub Brushes Must Be Matched With Proper Hydraulic Cartridge.

Fig. 7 - Hydraulic Solenoid Valve Breakdown, Nylon Brush, 71761

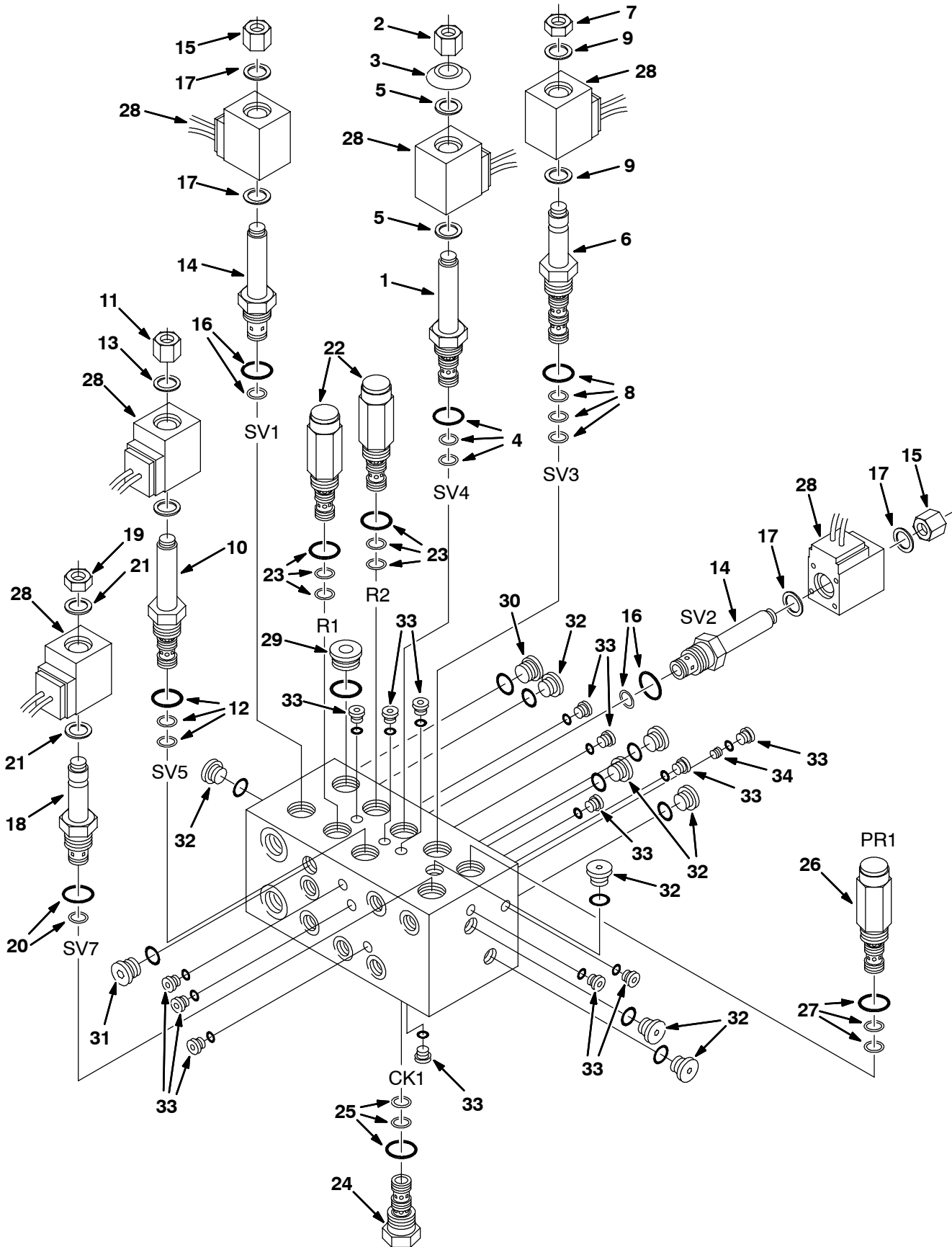


Fig. 7 - Hydraulic Solenoid Valve Breakdown, Nylon Brush, 71761

	Ref.	Part No.	Serial Number	Description	Qty.
▽		71761	(000000-) Valve Assy, Nylon Brush	1
▲▽	1	25812	(000000-) Cartridge Repl Kit, Nylon Brush	1
▲▲	2	79731	(000000-) Nut, Cart., Lng	1
▲▲	3	21923	(000000-) Spacer, Coil	1
▲▲	4	79711	(000000-) Seal Kit, Cart	1
▲▲	5	79740	(000000-) Seal Kit, Coil	1
▲▽	6	79719	(000000-) Valve Stem 4W2P	1
▲▲	7	79728	(000000-) Nut, Cart	1
▲▲	8	79711	(000000-) Seal Kit, Cart	1
▲▲	9	79740	(000000-) Seal Kit, Coil	1
▲▽	10	21906	(000000-) Valve Stem 3W2P	1
▲▲	11	79731	(000000-) Nut, Cart., Lng	1
▲▲	12	79711	(000000-) Seal Kit, Cart	1
▲▲	13	79740	(000000-) Seal Kit, Coil	1
▲▽	14	79739	(000000-) Stem, Valve	2
▲▲	15	79731	(000000-) Nut, Cart., Lng	1
▲▲	16	79711	(000000-) Seal Kit, Cart	1
▲▲	17	79740	(000000-) Seal Kit, Coil	1
▲▽	18	21907	(000000-) Valve Stem N.C.	1
▲▲	19	79728	(000000-) Nut, Cart	1
▲▲	20	79711	(000000-) Seal Kit, Cart	1
▲▲	21	79740	(000000-) Seal Kit, Coil	1
▲▽	22	65240	(000000-) Valve, Relief	2
▲▲	23	79711	(000000-) Seal Kit, Cart	1
▲▽	24	21919	(000000-) Cart,Pilot Chk	1
▲▲	25	79711	(000000-) Seal Kit, Cart	1
▲▽	26	21904	(000000-) Cart, Psi	1
▲▲	27	79711	(000000-) Seal Kit, Cart	1
▲	28	21916	(000000-) Coil, 12V	6
▲	29	74099	(000000-) Plug #10	1
▲	30	13907	(000000-) Plug #8	1
▲	31	13904	(000000-) Plug Gage #6	1
▲	32	74098	(000000-) Plug #4	7
▲	33	13902	(000000-) Plug #2	14
▲	34	21920	(000000-) Vr, Plug, Orifice Cp	1

Note: Scrub Brushes Must Be Matched With Proper Hydraulic Cartridge.

Fig. 8 - Hydraulic Solenoid Valve Breakdown, Side Brush and Nylon Brush, 71762

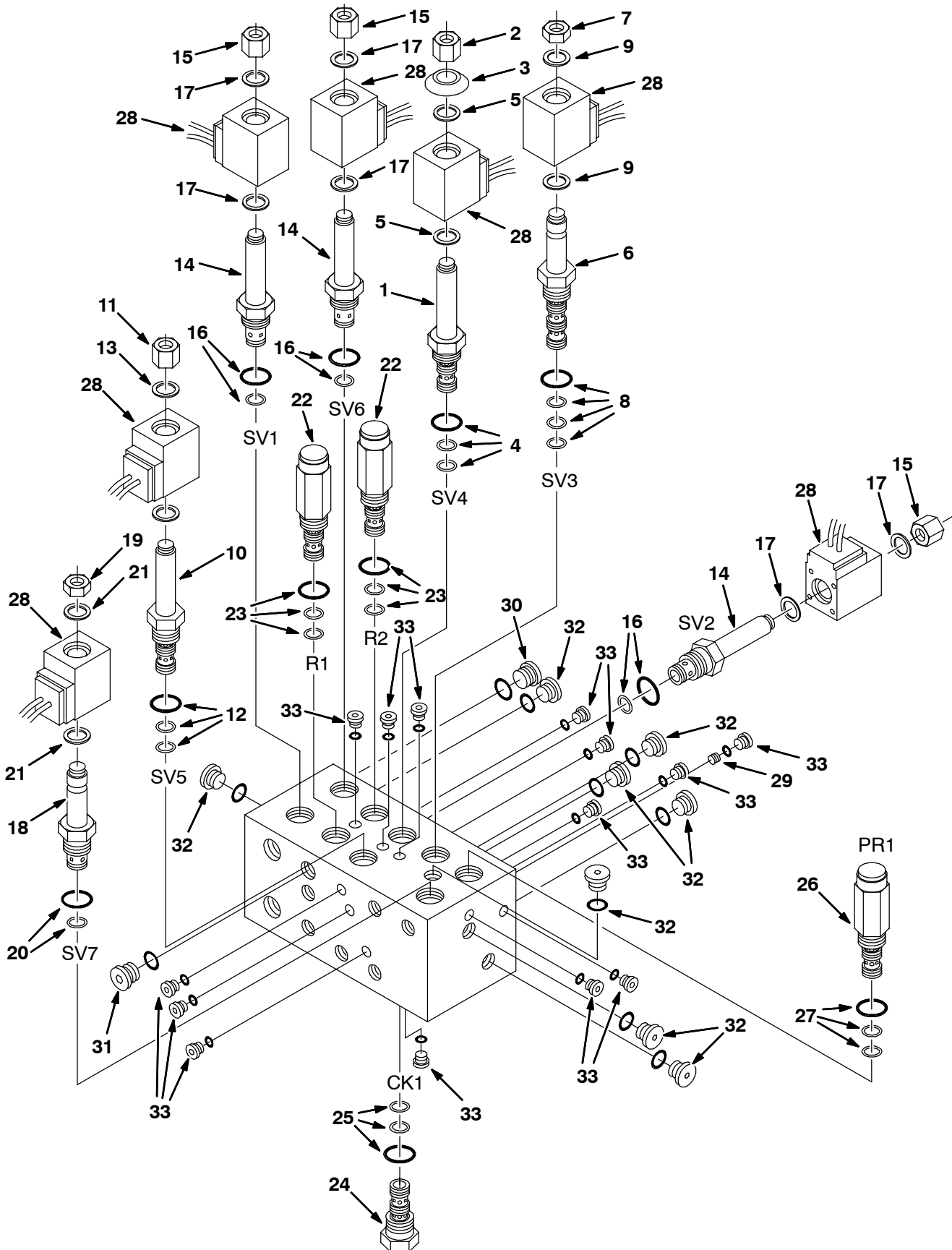


Fig. 8 - Hydraulic Solenoid Valve Breakdown, Side Brush and Nylon Brush, 71762

Ref.	Part No.	Serial Number	Description	Qty.
▽	71762	(000000-) Valve Assy, Side Br, Nylon Br	1
▲▽	1 25812	(000000-) Cartridge Repl Kit, Nylon Brush	1
▲▲	2 79731	(000000-) Nut, Cart., Lng	1
▲▲	3 21923	(000000-) Spacer, Coil	1
▲▲	4 79711	(000000-) Seal Kit, Cart	1
▲▲	5 79740	(000000-) Seal Kit, Coil	1
▲▽	6 79719	(000000-) Valve Stem 4W2P	1
▲▲	7 79728	(000000-) Nut, Cart	1
▲▲	8 79711	(000000-) Seal Kit, Cart	1
▲▲	9 79740	(000000-) Seal Kit, Coil	1
▲▽	10 21906	(000000-) Valve Stem 3W2P	1
▲▲	11 79731	(000000-) Nut, Cart., Lng	1
▲▲	12 79711	(000000-) Seal Kit, Cart	1
▲▲	13 79740	(000000-) Seal Kit, Coil	1
▲▽	14 79739	(000000-) Stem, Valve	3
▲▲	15 79731	(000000-) Nut, Cart., Lng	1
▲▲	16 79711	(000000-) Seal Kit, Cart	1
▲▲	17 79740	(000000-) Seal Kit, Coil	1
▲▽	18 21907	(000000-) Valve Stem N.C.	1
▲▲	19 79728	(000000-) Nut, Cart	1
▲▲	20 79711	(000000-) Seal Kit, Cart	1
▲▲	21 79740	(000000-) Seal Kit, Coil	1
▲▽	22 65240	(000000-) Valve, Relief	2
▲▲	23 79711	(000000-) Seal Kit, Cart	1
▲▽	24 21919	(000000-) Cart,Pilot Chk	1
▲▲	25 79711	(000000-) Seal Kit, Cart	1
▲▽	26 21904	(000000-) Cart, Psi	1
▲▲	27 79711	(000000-) Seal Kit, Cart	1
▲	28 21916	(000000-) Coil, 12V	7
▲	29 21920	(000000-) Vr, Plug, Orifice Cp	1
▲	30 13907	(000000-) Plug #8	1
▲	31 13904	(000000-) Plug Gage #6	1
▲	32 74098	(000000-) Plug #4	7
▲	33 13902	(000000-) Plug #2	14

Note: Scrub Brushes Must Be Matched With Proper Hydraulic Cartridge.

Fig. 9 - Hydraulic Solenoid Valve Breakdown, 71708

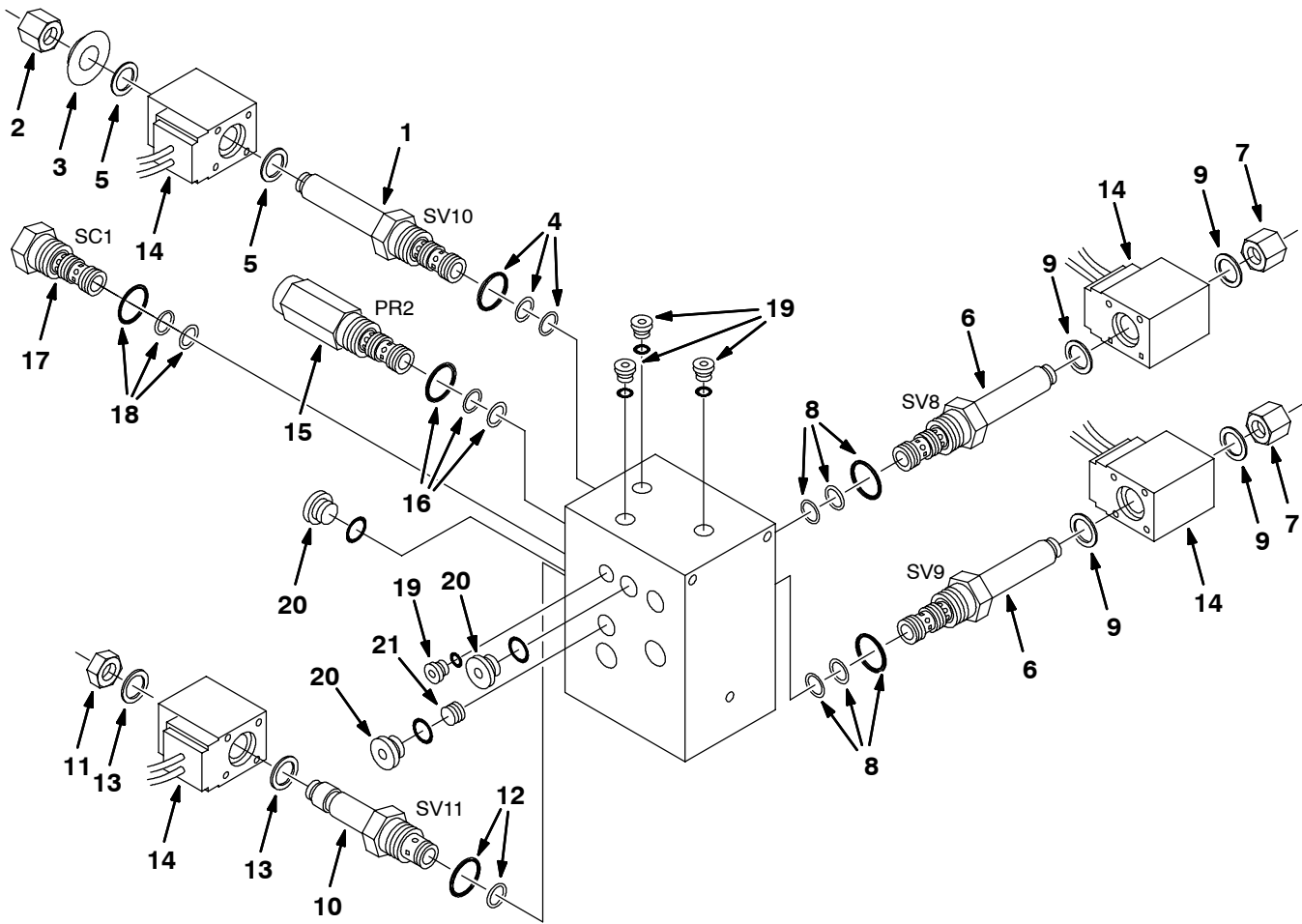


Fig. 9 - Hydraulic Solenoid Valve Breakdown, 71708

	Ref.	Part No.	Serial Number	Description	Qty.
▽		71708	(000000-) Valve, Hyd Cntrl Sol	1
▲▽	1	21931	(000000-) Cart, Psi Control	1
▲▲	2	79731	(000000-) Nut, Cart., Lng	1
▲▲	3	21923	(000000-) Spacer, Coil	1
▲▲	4	79711	(000000-) Seal Kit, Cart	1
▲▲	5	79740	(000000-) Seal Kit, Coil	1
▲▽	6	21906	(000000-) Valve Stem 3W2P	2
▲▲	7	79731	(000000-) Nut, Cart., Lng	1
▲▲	8	79711	(000000-) Seal Kit, Cart	1
▲▲	9	79740	(000000-) Seal Kit, Coil	1
▲▽	10	21907	(000000-) Valve Stem N.C.	1
▲▲	11	79728	(000000-) Nut, Cart	1
▲▲	12	79711	(000000-) Seal Kit, Cart	1
▲▲	13	79740	(000000-) Seal Kit, Coil	1
▲	14	21916	(000000-) Coil, 12V	4
▲▽	15	21904	(000000-) Cart, Psi	1
▲▲	16	79711	(000000-) Seal Kit, Cart	1
▲▽	17	21921	(000000-) Cart, Shuttle Chk	1
▲▲	18	79711	(000000-) Seal Kit, Cart	1
▲	19	13902	(000000-) Plug #2	4
▲	20	74098	(000000-) Plug #4	3
▲	21	21922	(000000-) Vr, Fitting, Plug, Valve, Hyd	1

Fig. 10 - Extended Scrub Pump Breakdown, 20891

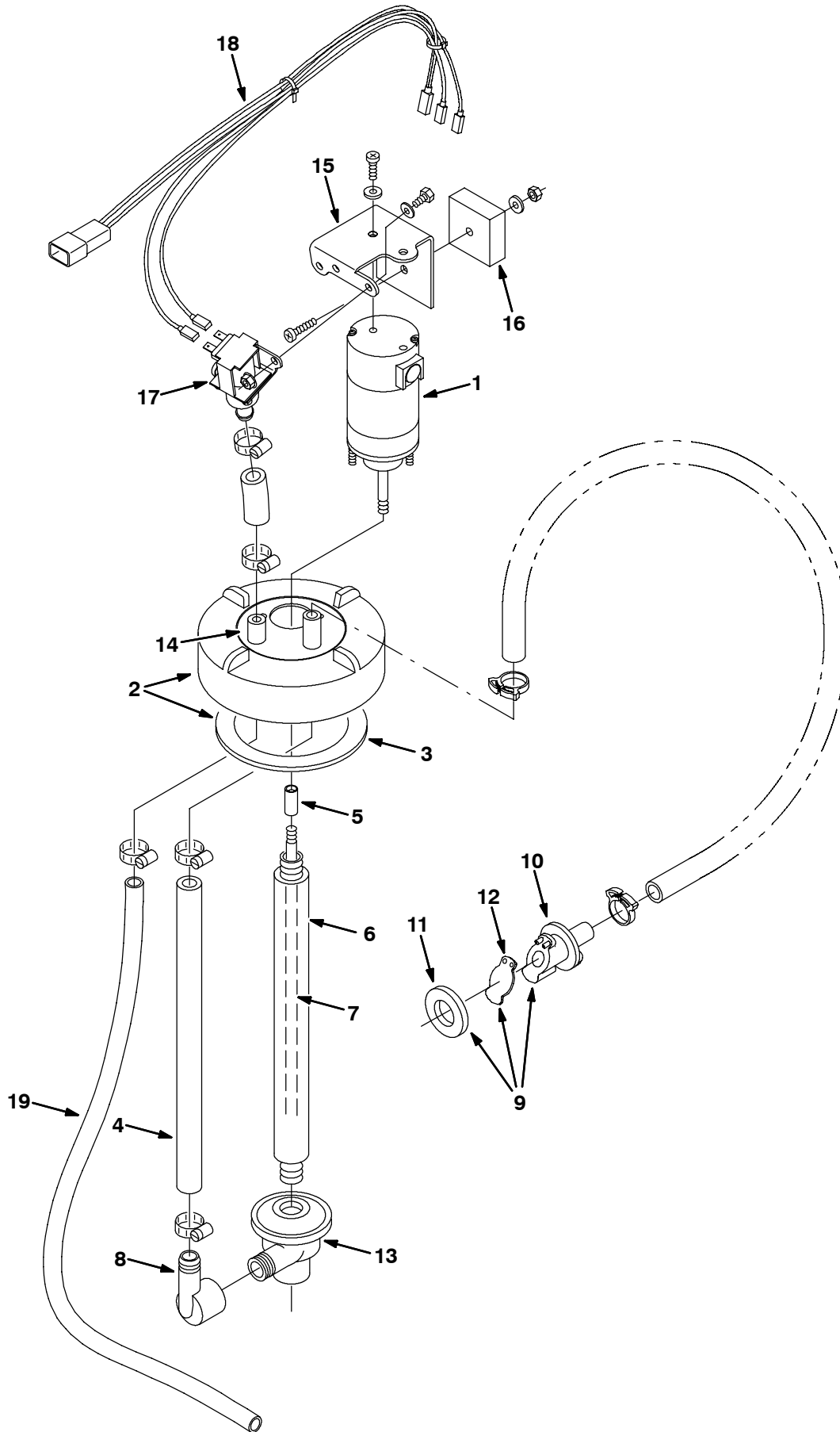


Fig. 10 - Extended Scrub Pump Breakdown, 20891

	Ref.	Part No.	Serial Number	Description	Qty.
▽		20891	(000000-)	Pump, Water	1
▲▽	1	23282	(000000-)	Motor 12V Dc	1
▲▲		78829	(000000-)	Kit, Brush	1
▲▽	2	24358	(000000-)	Cap, Tank	1
▲▲	3	1031699	(000000-)	Gasket, .19, 4.05id 5.29od [Buna]	1
▲	4	78833	(000000-)	Tubing, Vinyl	1
▲	5	23285	(000000-)	Sleeve	1
▲	6	78836	(000000-)	Column	1
▲	7	23283	(000000-)	Shaft, Pump	1
▲	8	78839	(000000-)	Fitting	1
▲▽	9	78842	(000000-)	Check Valve Kit	1
▲▲	10	78840	(000000-)	Valve, Check	1
▲▲	11	73342	(000000-)	Gasket	1
▲▲	12	78841	(000000-)	Flapper, Valve	1
▲	13	78843	(000000-)	Pump Body Kit	1
▲	14	20892	(000000-)	Backflush,Cover Lid	1
▲	15	20885	(000000-)	Bracket, Solenoid Valve	1
▲	16	20989	(000000-)	Timer, Backflush	1
▲	17	369850	(000000-)	Valve, Water, Sol, 12vdc, 10bm/10bm	1
▲	18	20988	(000000-)	Wireharness, Backflush	1
▲	19	20778	(000000-)	Hose, Vinyl, Clear	1

Fig. 11 - Extended Scrub Pump Breakdown, 1021210

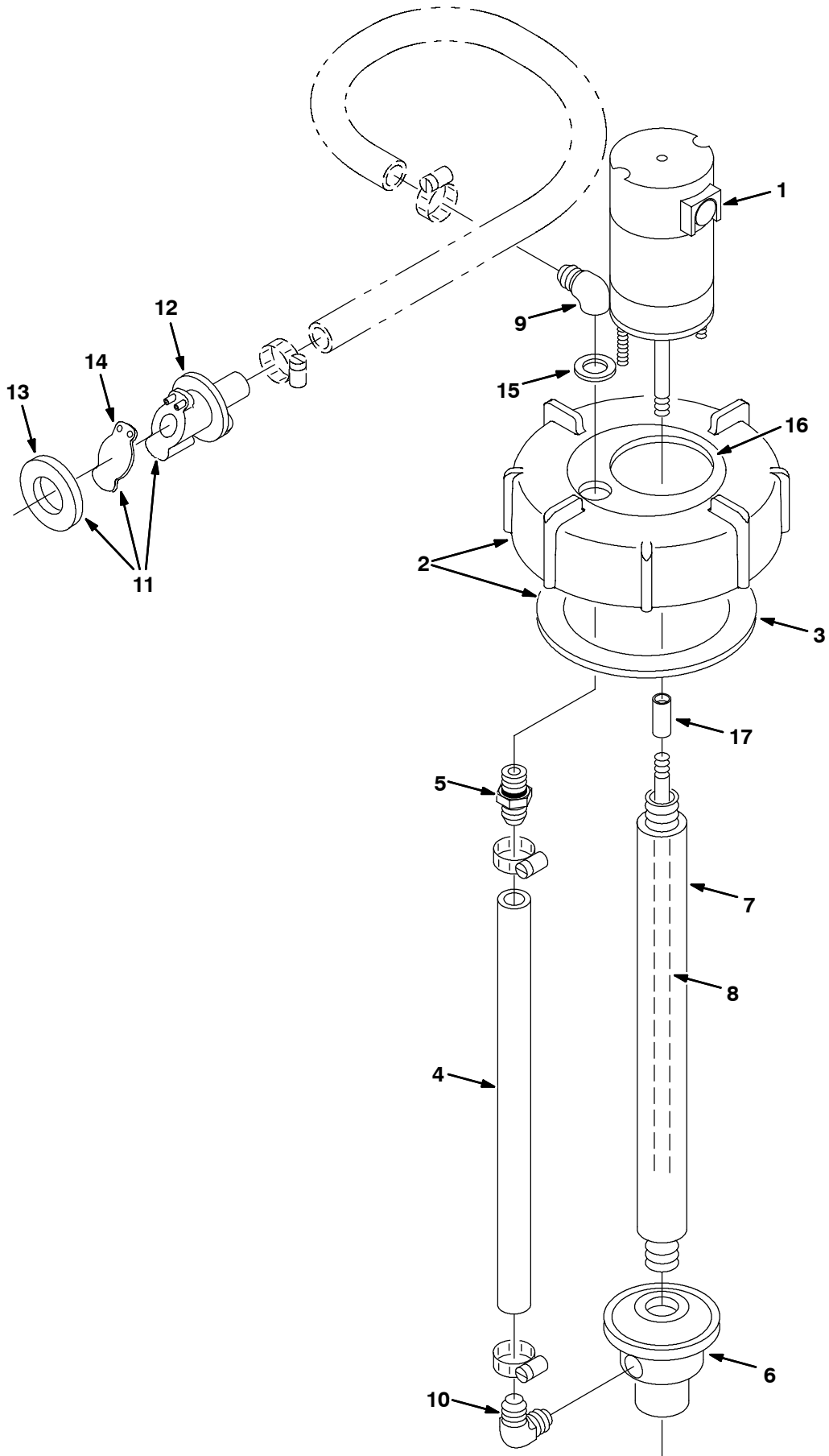
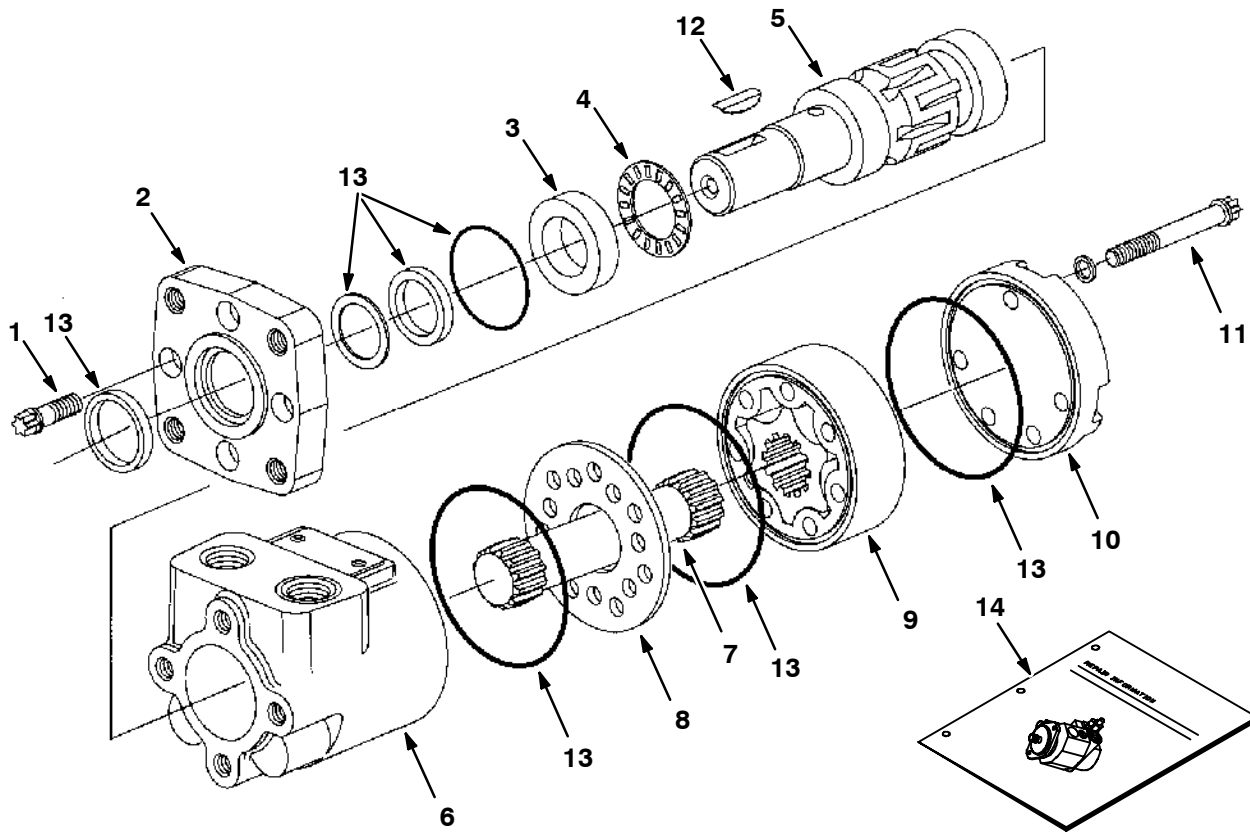


Fig. 11 - Extended Scrub Pump Breakdown, 1021210

	Ref.	Part No.	Serial Number	Description	Qty.
▽		1021210	(000000-) Pump Assy, Column, Es	1
▲▽	1	23282	(000000-) Motor 12V Dc	1
▲▲		78829	(000000-) Brush Kit	1
▲▽	2	24358	(000000-) Cap Assy, Tank	1
▲▲	3	1031699	(000000-) Gasket, .19, 4.05id 5.29od [Buna]	1
▲	4	78833	(000000-) Tubing, Vinyl	1
▲	5	78398	(000000-) Fitting, Plstc, Str	1
▲	6	78843	(000000-) Pump Body Kit	1
▲	7	78836	(000000-) Column, Pump	1
▲	8	23283	(000000-) Pump Shaft	1
▲	9	78838	(000000-) Fitting, Elbow Gr	1
▲	10	78839	(000000-) Fitting , Elbow Gr	1
▲▽	11	78842	(000000-) Check Valve Kit	1
▲▲	12	78840	(000000-) Valve, Check	1
▲▲	13	73342	(000000-) Gasket, Check Valve	1
▲▲	14	78841	(000000-) Flapper, Valve	1
▲	15	78830	(000000-) Washer, Rubber	1
▲	16	22790	(000000-) Insert, Cap	1
▲	17	23285	(000000-) Sleeve Gr	1

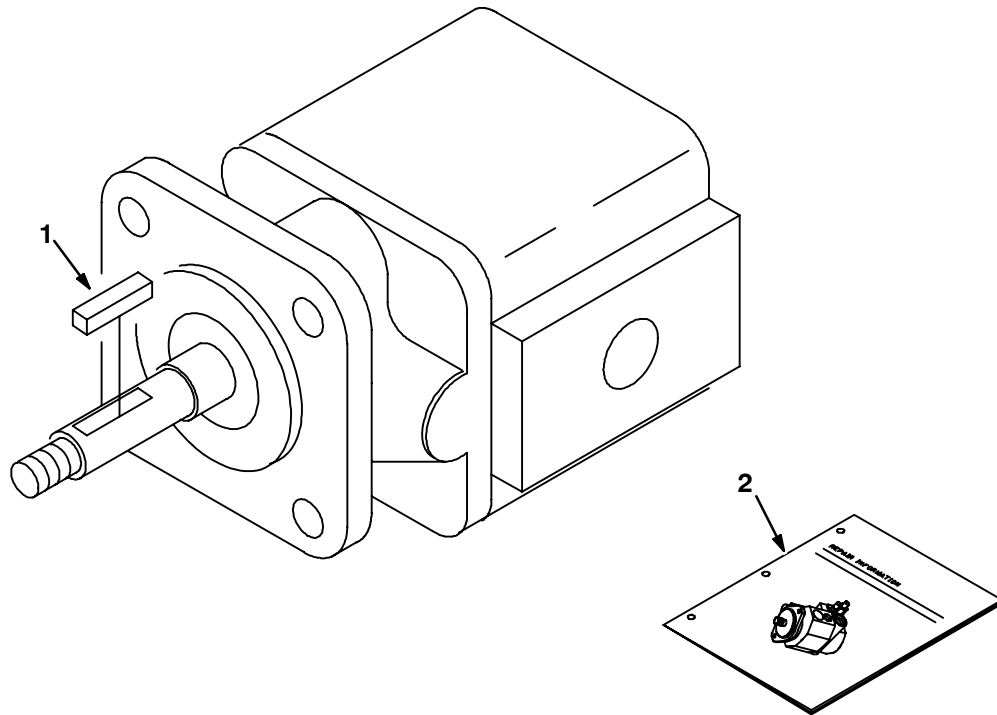
Fig. 12 - Hydraulic Motor Breakdown, 397692



10859-09670 - ALL

Ref.	Part No.	Serial Number	Description	Qty.	
▽	397692	(000000-) Motor, Hyd Gear In 04.5 R 1500	1	
▲	1	37555	(000000-) Screw	4
▲	2	31354	(000000-) Flange Mounting	1
▲	3	16695	(000000-) Race Thrust	1
▲	4	45628	(000000-) Thrust Bearing	1
▲	5	28854	(000000-) Shaft, Output	1
▲	6	74100	(000000-) Housing	1
▲	7	74175	(000000-) Drive	1
▲	8	74094	(000000-) Spacer Plate	1
▲	9	74177	(000000-) Gerotor Assy	1
▲	10	65230	(000000-) Cap, End	1
▲	11	74178	(000000-) Screw Cap	5
▲	12	00500-15	(000000-) Key-Wdruff 0.25 1.00	1
▲	13	22654	(000000-) Seal Replmt Kit	1
▲	14	74250	(000000-) Instr. Repair Info, Motor	1

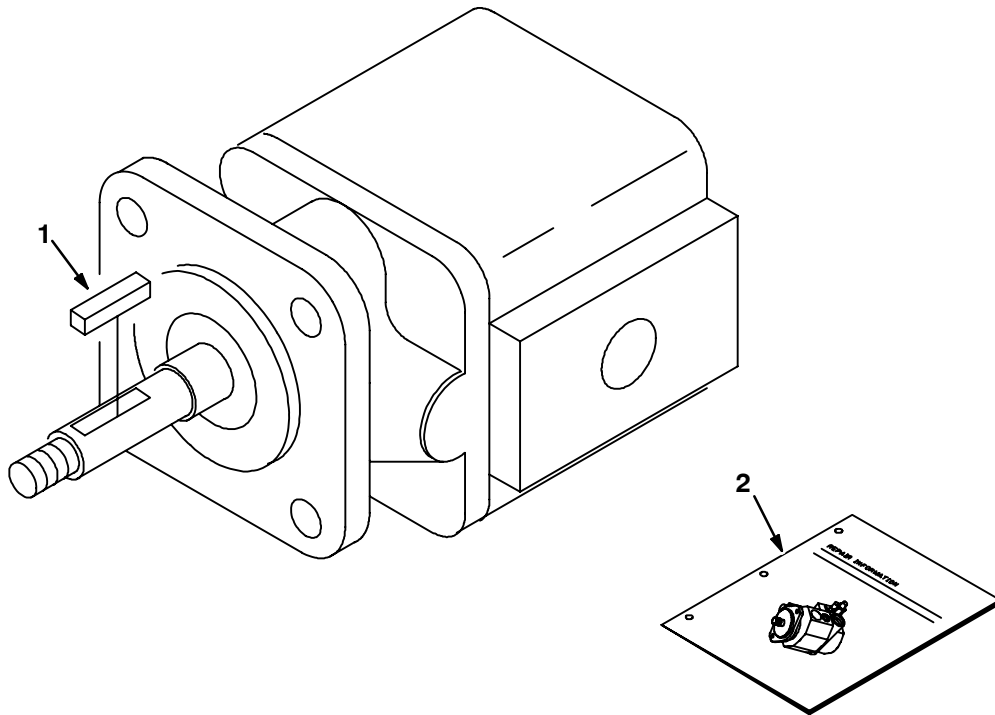
Fig. 13 - Hydraulic Motor Breakdown, 73112



09664-09670 - ALL

Ref.	Part No.	Serial Number	Description	Qty.
▽	73112	(000000-) Motor, Hyd Gear Ex 0.13 L 3000	1
▲	1 00954	(000000-) Key Square 0.12 0.12 01.00 Lg	1
▲	74233	(000000-) Seal Kit, Hyd Mtr Gear Bn	1
▲	2 IB3614	(000000-) Repair Info.	1

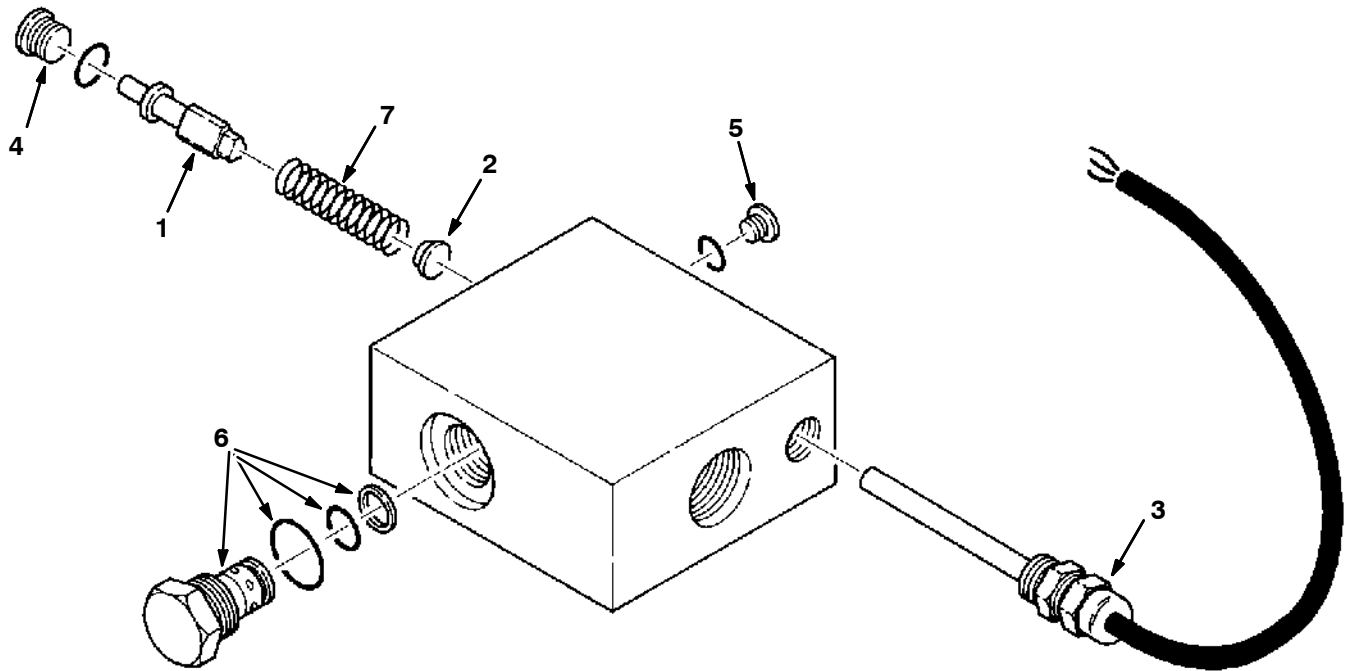
Fig. 14 - Hydraulic Motor Breakdown, 71719



09664-09670 - ALL

	Ref.	Part No.	Serial Number	Description	Qty.
▽		71719	(000000-) Motor, Hyd Gear	1
▲	1	00960	(000000-) Key Square 0.12 0.12 00.50 Lg	1
▲		74233	(000000-) Seal Kit, Hyd Motor Gear	1
▲	2	IB3614	(000000-) Instr. Motor Seal Kit F-74147	1

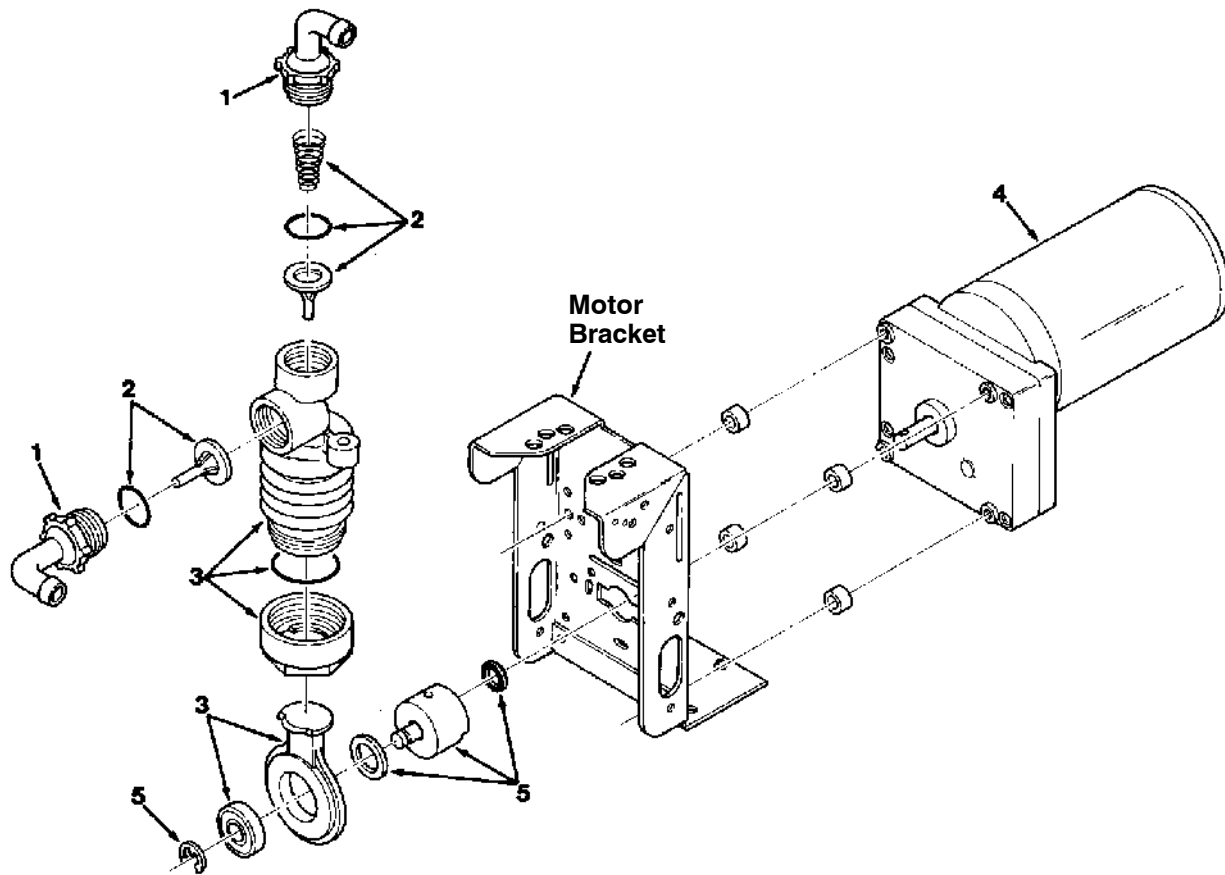
Fig. 15 - Hydraulic Flow Sensor Switch Breakdown, 73430



10854 - ALL

Ref.	Part No.	Serial Number	Description	Qty.
▽	73430	(000000-) Switch, Hyd Flow Sensor	1
▲	1 79712	(000000-) Actuator, Mag	1
▲	2 79713	(000000-) Cushion, Piston	1
▲	3 79714	(000000-) Switch Assy	1
▲	4 13904	(000000-) Plug Gage #6	1
▲	5 13902	(000000-) Plug #2	1
▲	6 79710	(000000-) Cart, Check Vlv	1
▲	7 79715	(000000-) Spring	1

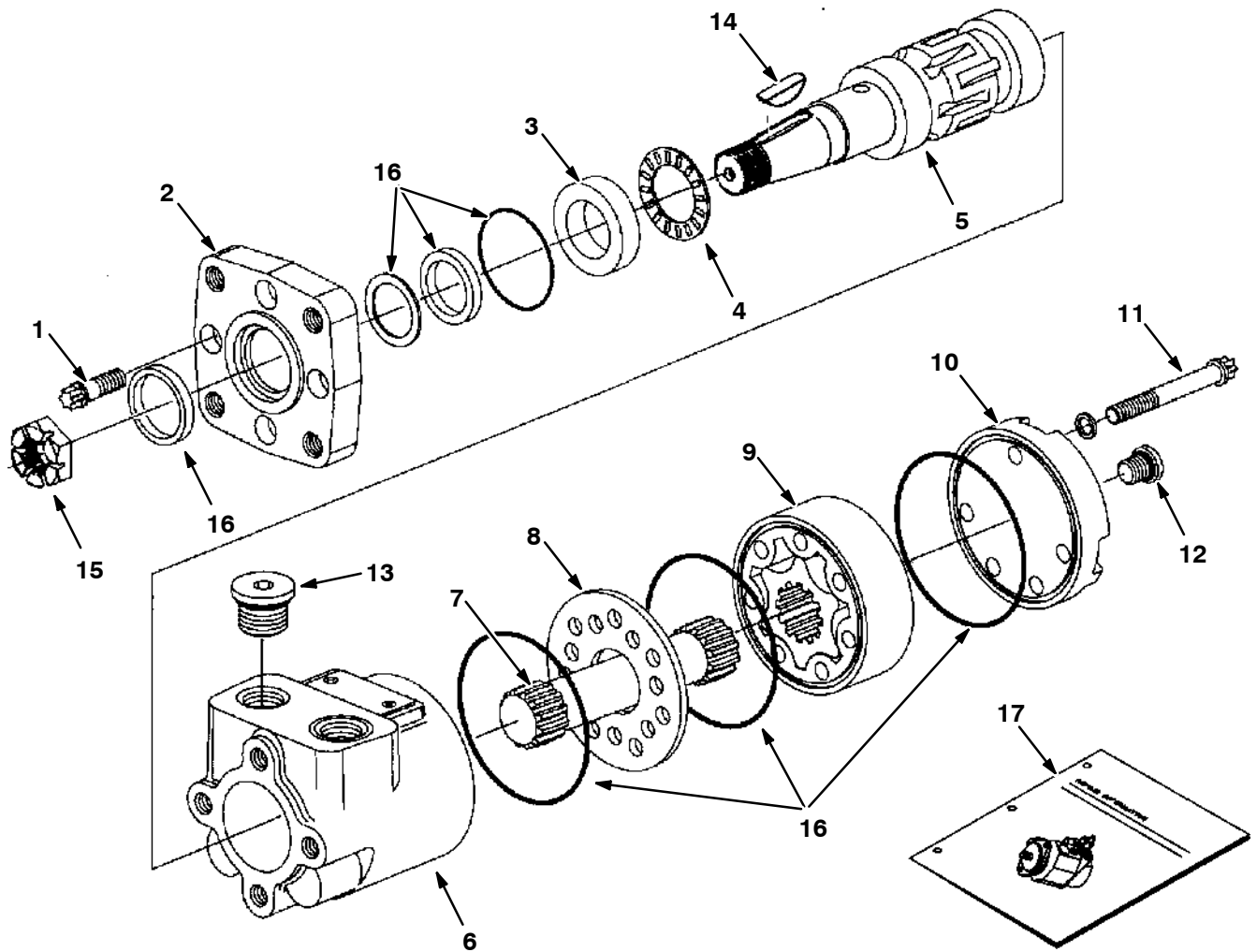
Fig. 16 - Metering Solution Pump Breakdown, 73260



00112 - ALL

Ref.	Part No.	Serial Number	Description	Qty.
▽	73260	(000000-) Pump, Detergent Metering	1
▲	1 63923	(000000-) Tubing Connctr.Kit, Pmp	1
▲	2 21659	(000000-) Valve Kit, Poppet	1
▲	3 21657	(000000-) Bellows Kit	1
▲	4 78875	(000000-) Gear Motor Assy	1
▲	5 02430	(000000-) Crank Replmt.Kit,Pump	1

Fig. 17 - Hydraulic Motor Breakdown, 71729



09606-09670 - ALL

Ref.	Part No.	Serial Number	Description	Qty.	
▽	71729	(000000-) Motor, Hyd Gear In 4.5 B 1500	1	
▲	1	37555	(000000-) Screw	4
▲	2	31354	(000000-) Flange Mounting	1
▲	3	16695	(000000-) Race Thrust	1
▲	4	45628	(000000-) Thrust Bearing	1
▲	5	31375	(000000-) Shaft, Output	1
▲	6	74100	(000000-) Housingl	1
▲	7	31379	(000000-) Drive	1
▲	8	74094	(000000-) Spacer Plate	1
▲	9	31383	(000000-) Gerotor Set	1
▲	10	74095	(000000-) End Cap	1
▲	11	65241	(000000-) Cap Screw	5
▲	12	74098	(000000-) Plug #4	1
▲	13	74099	(000000-) Plug #10	2
▲	14	00500-15	(000000-) Key-Wdruff 0.25 1.00	1
▲	15	39527	(000000-) Nut-Hxslot .75-16 Pltd	1
▲	16	61490	(000000-) Seal Replmt Kit	1
▲	17	74250	(000000-) Instr. Repair Info, Motor	1

SECTION 5

Contents	Page
Fig. 1 - Cylinder Head and Valves Group . . .	5-2
Fig. 2 - Crankshaft and Pistion Group	5-4
Fig. 3 - Oil and Water Pump Group	5-6
Fig. 4 - Oil Pan and Filter Group	5-8
Fig. 5 - Manifold Group	5-9
Fig. 6 - Camshaft Group	5-10
Fig. 7 - Ignition Group	5-12

Fig. 1 - Cylinder Head and Valves Group

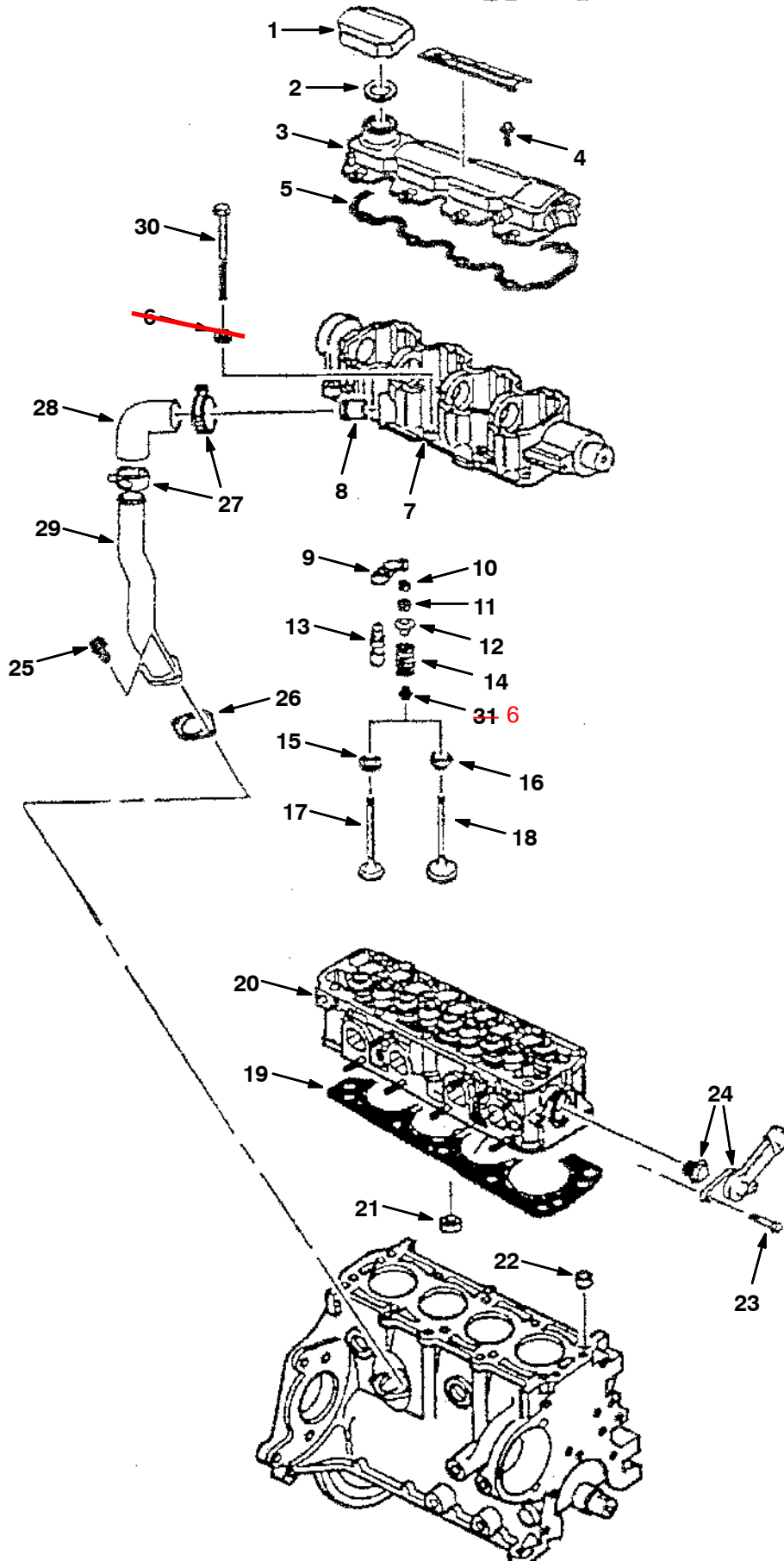


Fig. 1 - Cylinder Head and Valves Group

Ref.	Part No.	Description	Qty.
1	372574	Cap, Filler, Oil, W/ Org	1
2	372573	Seal, Org, Cap	1
3	372007	Cover, Hsng, Camshaft	1
4	371990	Bolt, Camshaft Cover	8
5	372008	Gasket, Cover, Hsng, Camshaft	1
6	372017	Washer	10
7	372018	Housing, Camshaft	1
8	372019	Tube [Pcv]	1
9	372030	Arm, Rocker, Valve	8
10	372031	Seat, Spring, Valve, 0.333	8
10	372032	Seat, Spring, Valve	8
11	372033	Key, Valve Stem	16
12	372034	Cap, Spring, Valve	4
13	372035	Screw, Adj, Valve, Hyd	8
14	372036	Spring, Valve	8
15	372037	Seat, Rotator, Valve	4
16	372031	Seat, Spring, Valve, 0.333	8
16	372032	Seat, Spring, Valve	4 8
17	372038	Valve, Exhaust	4
18	372039	Valve, Intake	1
19	372022	Gasket, Head, Cyl	1
20	372023	Head, Cyl	1
21	372024	Seat, Valve, Exhaust, [+0.2mm]	4
21	372025	Seat, Valve, Exhaust, Std	4
21	372026	Seat, Valve, Exhaust, [+0.4mm]	4
21	372027	Seat, Valve, Intake, Std	4
21	372028	Seat, Valve, Intake, [+0.2mm]	4
21	372029	Seat, Valve, Intake, [+0.4mm]	4
22	371999	Pin, Lock, Cyl Head, 14mm X 17mm	2
23	372048	Bolt, Hsng, Thermostat	2
24	372047	Thermostat, W/ Hsng And Seal	1
25	371957	Bolt, Tube [Pvc], M6 X 1 X 15	2
26	371958	Gasket, Tube [Pcv]	1
27	371954	Clamp, Hose, 1.75 [Pcv]	2
28	371955	Hose [Pcv]	1
29	371956	Tube [Pcv]	1
30	372882	Bolt, Head, Cyl	10
6 31	9003345	Seal, Seat, Valve	8

Fig. 2 - Crankshaft and Piston Group

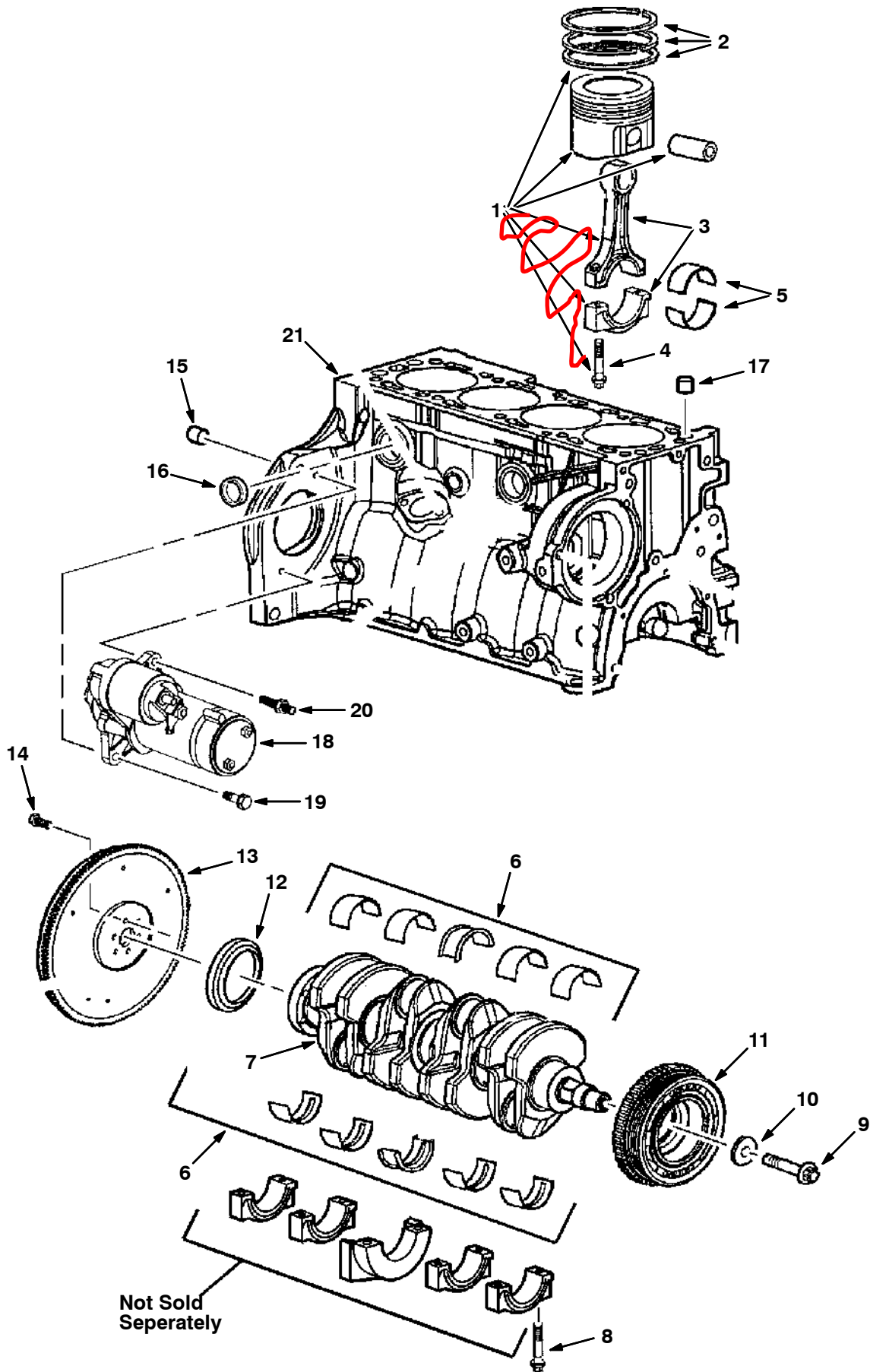


Fig. 2 - Crankshaft and Piston Group

	Ref.	Part No.	Description	Qty.
▽	1	371932	Piston, W/ Pin, Std	1
▲	2	371931	Ring Kit, Piston, Std 78.95-79.02mm	4
▽ X	3	371934	Rod, Connecting, M08 X 45	4
▲	4	371935	Bolt, Connecting Rod	8
	5	371933	Bearing Kit, Rod, Connecting, Std	1
	6	371966	Bearing Kit, Cshft, 1.995-2.001mm (Brown Blue)	4
	6	371967	Bearing Kit, Cshft, 2.120-2.126mm	4
	6	371968	Bearing Kit, Cshft, 2.114-2.120mm	4
	6	371969	Bearing Kit, Cshft, 1.989-1.995mm (Brown)	4
	6	371970	Bearing Kit, Cshft, 1.989-1.995mm (Green Blue)	4
	6	371971	Bearing Kit, Cshft, 1.995-2.001mm (Green)	4
	7	371965	Crankshaft	1
	8	371946	Bolt, M10 X 1.50 X 75mm	10
	9	384961	Bolt, Pulley, Cshft	1
	10	371937	Washer, Sheave, Cshft	1
	11	371936	Sheave, Cshft	1
	12	371945	Seal, Oil, Cshft	1
	13	371979	Flywheel	1
	14	371976	Bolt, Flywheel	6
	15	371978	Pin, Lock, Transmission	2
	16	371942	Plug, Hole, Coolant, Eng Block	6
	17	371999	Pin, Lock, Cyl Head, 14mm X 17mm	2
	18	371962	① Starter, 12vdc [Gm] (Before Mar. 2006)	1
	18	384963	② Starter, 12vdc [Delco] (Mar. 2006 and Newer)	1
	19	384964	Bolt, M08 X 1.25 X 25mm	1
	20	371964	Stud, Starter, M08 X 1.25	1
	21	384994	- Block, Short, Eng, W/ Piston & Ring (Before 2006)	1
	21	371944	Block, Short, Eng, W/ Piston & Ring (2006 and Newer)	1

① Engine Serial Number (000000-1P6L13150)

② Serial Number (1P6L13151-)

Fig. 3 - Oil and Water Pump Group

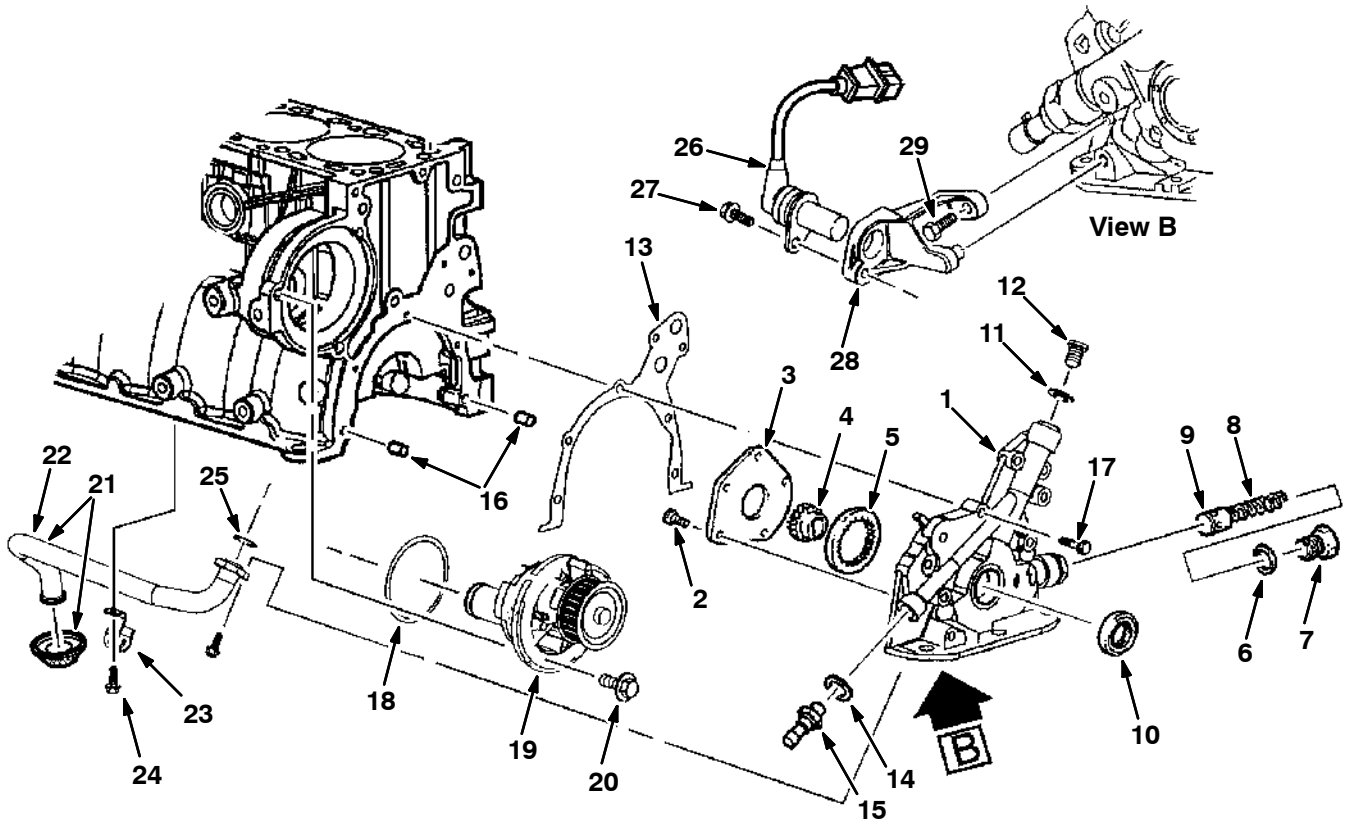
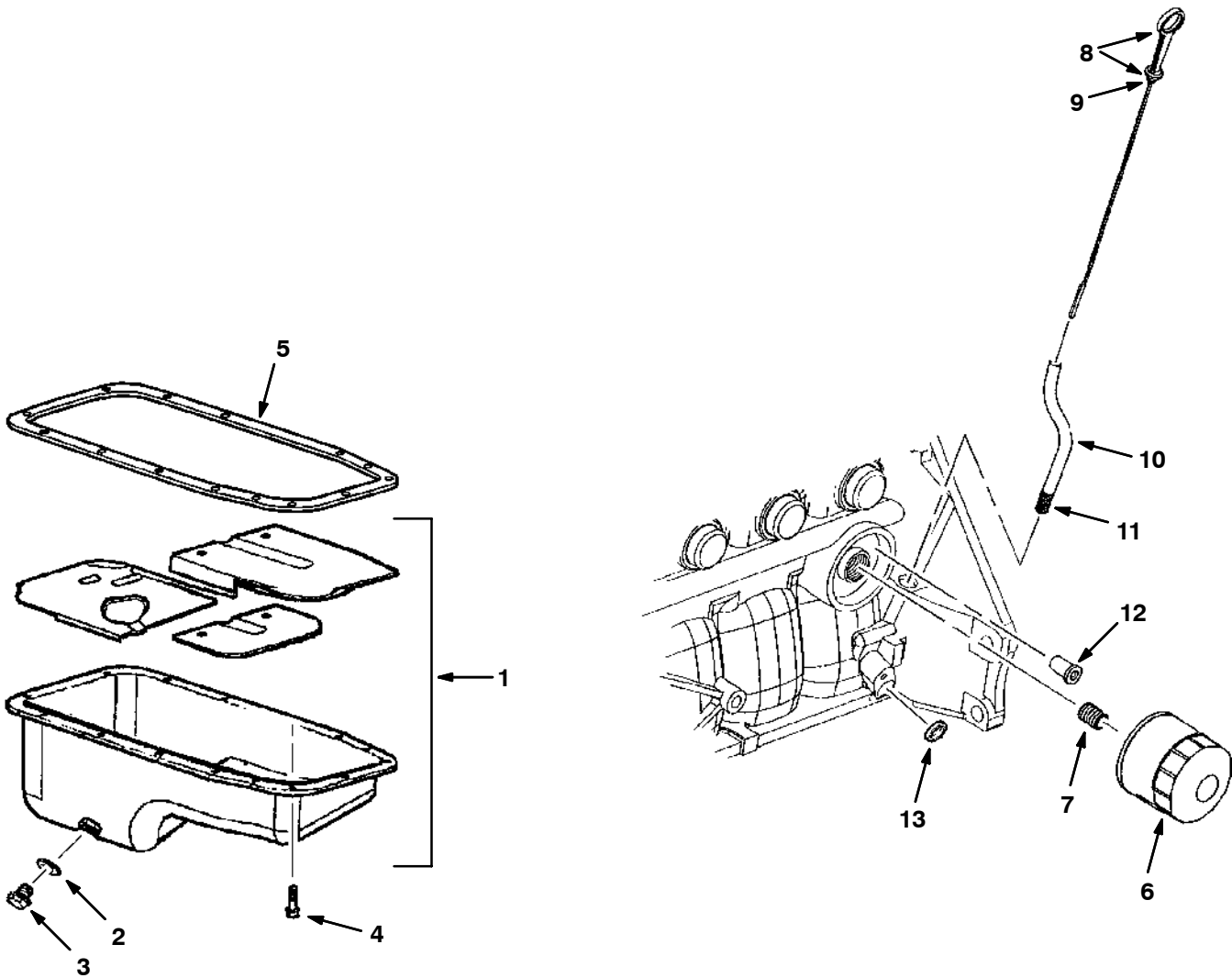


Fig. 3 - Oil and Water Pump Group

	Ref.	Part No.	Description	Qty.
▽	1	372572	Pump, Oil	1
▲	2	371947	Bolt, Cover, Oil Pump, M6 X 14	5
▲	3	371948	Cover, Pump, Oil	1
▲	4	371949	Gear, Ring, Drive, Oil Pump	1
▲	5	371950	Gear, Drive, Oil Pump	1
▲	6	371998	Gasket, Plug, Relief Valve, Oil Press	1
▲	7	371994	Plug, Bore, Valve, Relief, Oil Press	1
▲	8	371993	Spring, Valve, Relief, Oil Press	1
	9	371997	Valve, Relief, Oil Press	1
	10	372005	Seal, Org, Oil Pump	1
	11	371951	Seal, Org, Hsng, Oil Pump	1
	12	371952	Plug, Hsng, Oil Pump	1
	13	371984	Gasket, Pump, Oil	1
	14	371987	Seal, Org, Press Switch / Drain Plug	1
	15	371996	Switch, Indicator, Oil Press	1
	16	371983	Pin, Ring, Lock, Hsng, Water Pump	2
	17	371986	Bolt, Pump, Oil	6
	18	372567	Seal, Org, Water Pump	1
	19	371981	Pump, Water [Gm]	1
		371974	Sprocket, Pump, Water	1
	20	371980	Bolt, Cover, Water Pump	3
▽	21	372001	Screen, Oil Pump, W/ Suc Pipe	1
▲	22	371989	Pipe, Suc, Oil Pump	1
	23	384966	Bracket, Screen, Oil Pump	1
	24	371991	Bolt, Bracket, Screen, Oil Pump, M6x1x1	1
	25	371988	Seal, Ring, Pipe, Suc, Oil Pump	1
	26	372002	Sensor, Position, Cshft	1
	27	384968	Bolt, Bracket, Sensor, Cshft Position	1
	28	372003	Bracket, Sensor, Position, Cshft	1
	29	372004	Bolt, Sensor, Position, Cshft	3

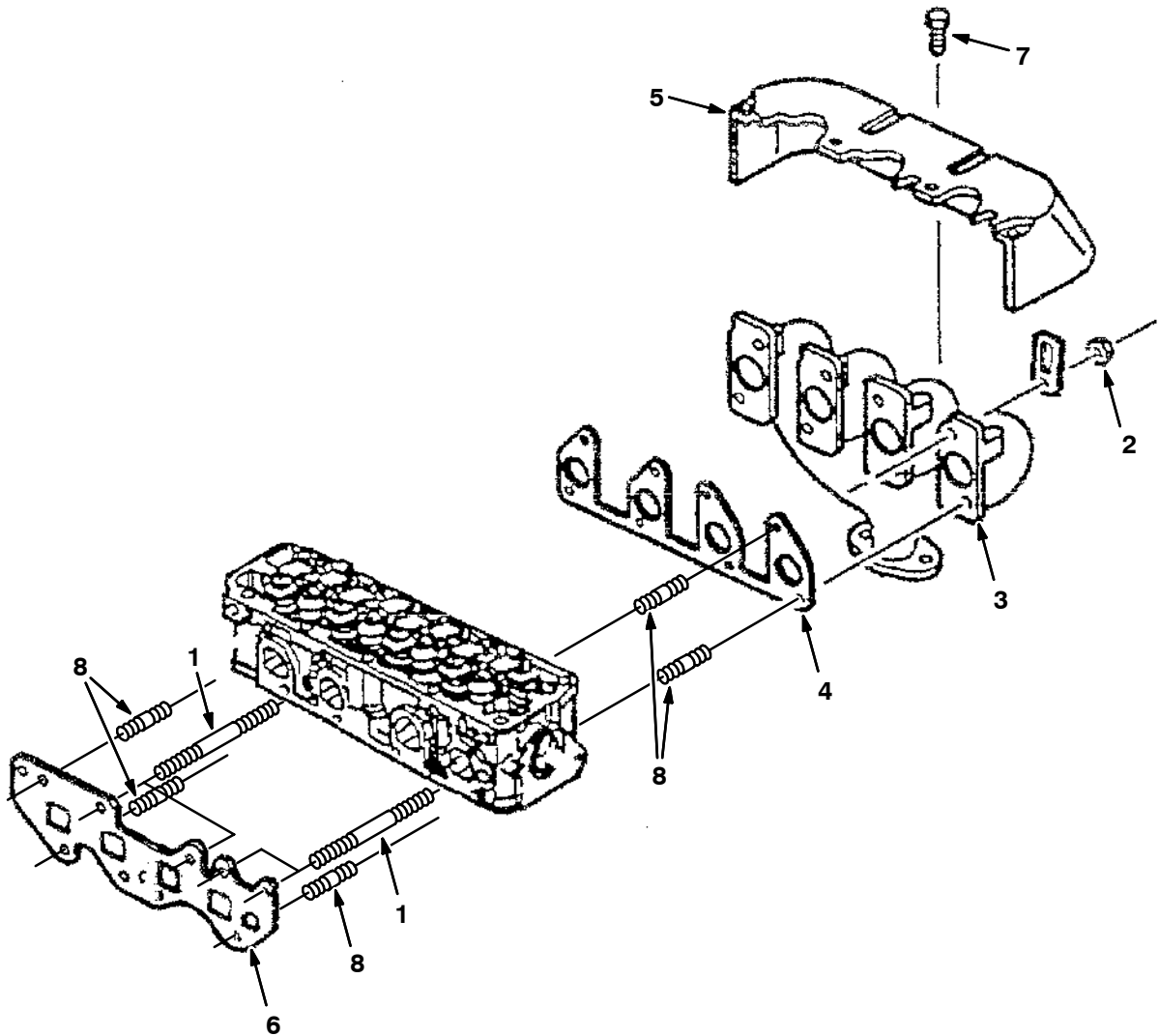
Fig. 4 - Oil Pan and Filter Group



G, LP

Ref.	Part No.	Description	Qty.
▽	1 371960	Pan, Oil, W/ Baffle / Plug / Seal	1
▲	2 371987	Seal, Org, Press Switch / Drain Plug	1
▲	3 371992	Plug, Drain, Oil Pan, M14 X 1.5 X 12	1
	4 384962	Bolt, Pan, Oil	15
	5 371959	Gasket, Pan, Oil	1
	6 371972	Element, Fltr, Oil, Eng, Spin-On	4
	7 371973	Fitting, Fltr, Oil	1
▽	8 372560	Dipstick, Oil	1
▲	9 371995	Seal, Org, Cap, Fltr, Oil	1
	10 371940	Tube, Ds	1
	11 371941	Sealant, Tube, Ds	1
	12 371975	Valve, By-Pass, Oil Fltr	1
	13 371943	Plug, Hole, Core, Eng Block	1

Fig. 5 - Manifold Group



G, LP

Ref.	Part No.	Description	Qty.
1	372021	Stud, Manifold, M8 X 96	4
2	372049	Nut, Manifold, Exhaust, M8 X 1.25	8
3	372050	Manifold, Exhaust	1
4	372051	Gasket, Manifold, Exhaust	1
5	372052	Shield, Manifold, Exhaust	1
6	372053	Gasket, Manifold, Intake	1
7	372066	Bolt, Shield, Manifold, Exhaust	5
8	372020	Stud, Manifold, M8 X 28	13

Fig. 6 - Camshaft Group

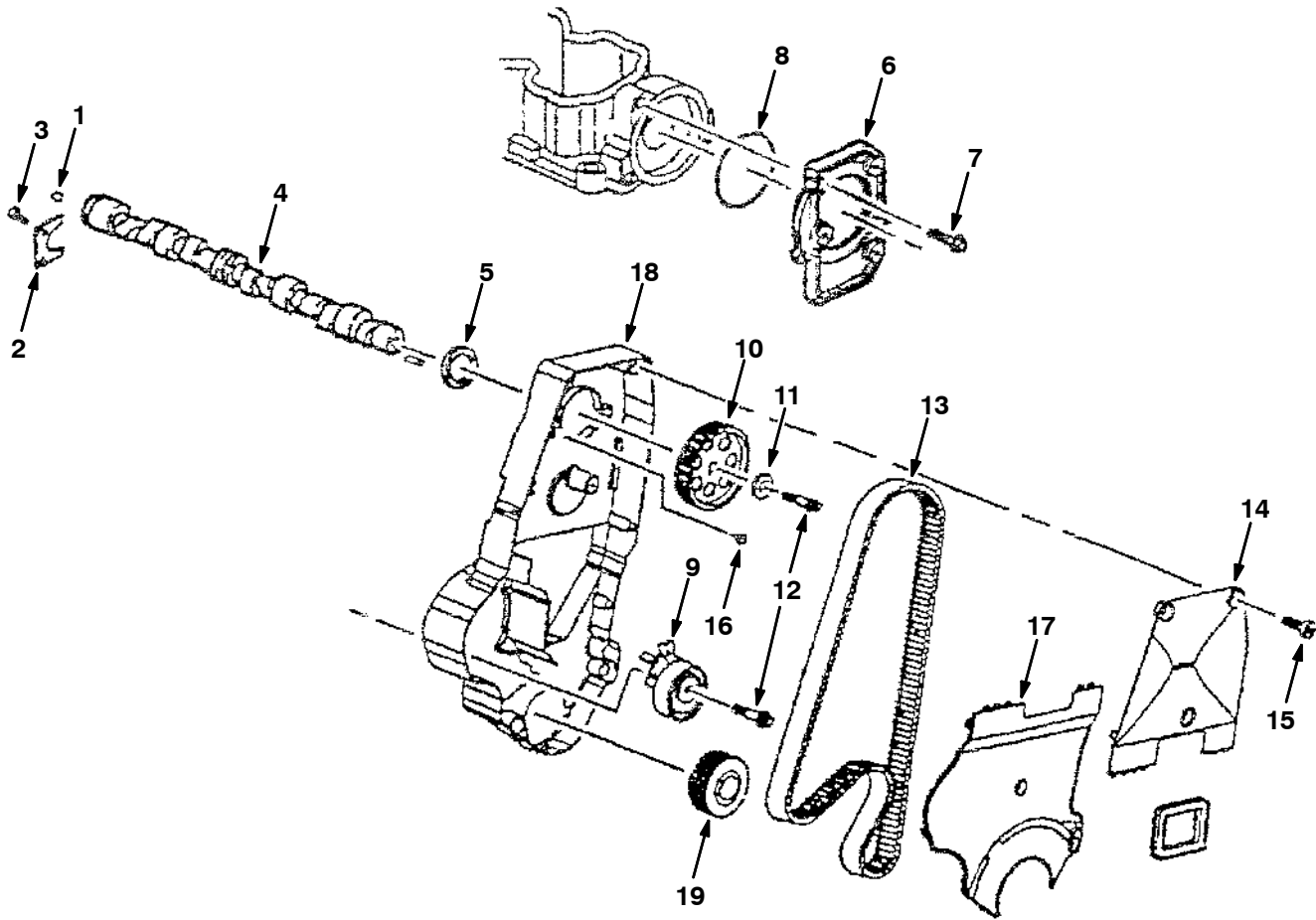
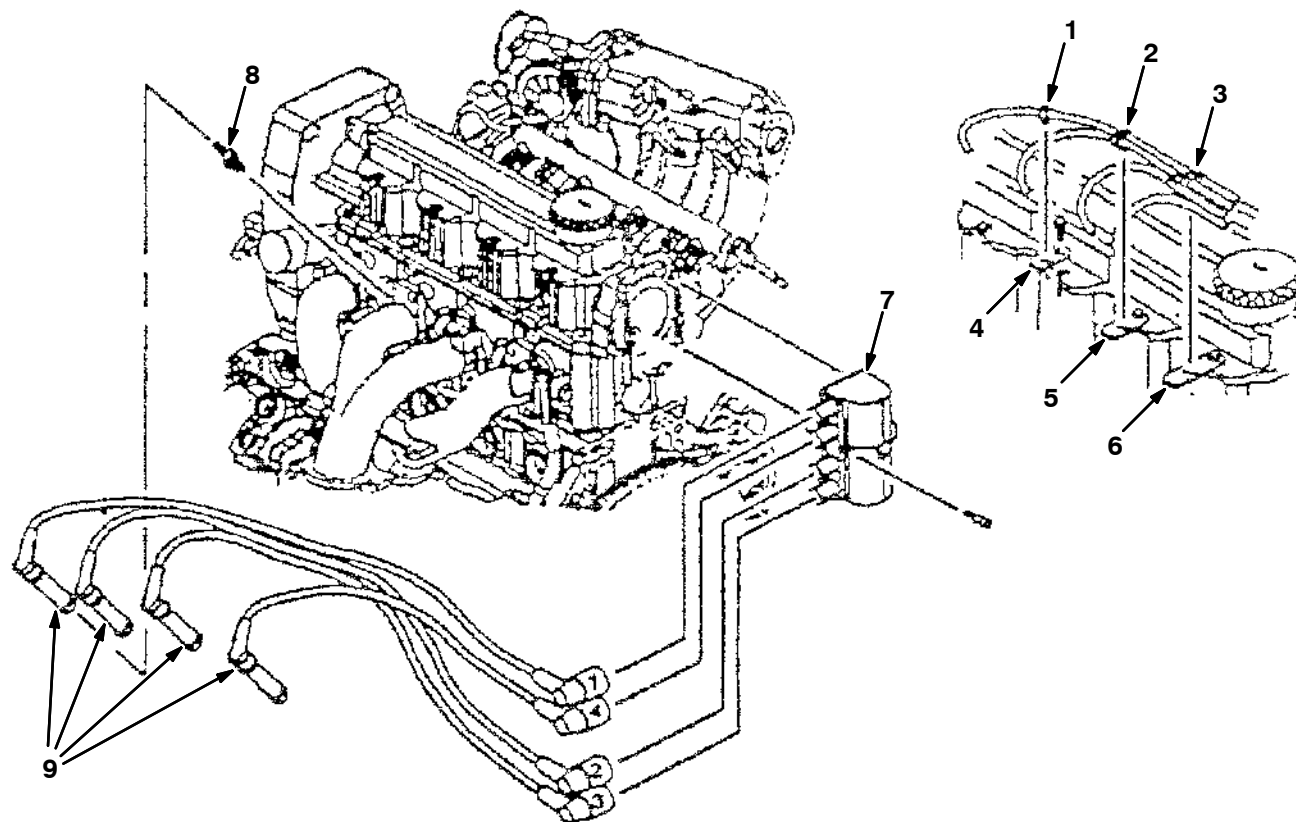


Fig. 6 - Camshaft Group

Ref.	Part No.	Description	Qty.
1	372009	Ball, Camshaft	1
2	372010	Retainer, Camshaft	1
3	372011	Bolt, Retainer, Camshaft, M6 X 1 X 16	2
4	372012	Camshaft	1
5	372013	Seal, Org, Bolt, Cover, Camshaft Hsng	1
6	372014	Cover, Hsng, Camshaft	1
7	372015	Bolt, Cover, Camshaft, M6 X 1 X 22	3
8	372016	Seal, Org, Bolt, Cover, Camshaft Hsng	1
9	372045	Pulley, Tension, Belt, Timing	1
10	372040	Sprocket, Camshaft [Fd]	1
11	372017	Washer, Sprkt, Camshaft	1
12	372041	Bolt, Sprocket, Camshaft, M10x1.25x60	2
13	372042	Belt, Timing	1
14	372043	Cover, Belt, Timing, Front	1
15	371961	Bolt, Eng Cover, M6 X 1 X 13	6
16	372046	Bolt, Tensioner, Timing Belt, M8x1.25x48	1
17	372044	Cover, Belt, Timing, Upper Front	1
18	372616	Housing, Camshaft	1
19	388552	Outside Sprocket, Gm	1

Fig. 7 - Ignition Group



G, LP

Ref.	Part No.	Description	Qty.
1	372054	Retainer, Sparkplug, 1 Way	1
2	372055	Retainer, Sparkplug, 2 Way	1
3	372056	Retainer, Sparkplug, 3 Way	1
4	372057	Bracket, Retaining, Wire, Sparkplug	1
5	372058	Bracket, Retaining, Wire, Sparkplug	1
6	372059	Bracket, Retaining, Wire, Sparkplug	1
7	372060	Coil, Ignition	1
8	372575	Sparkplug	4
9	372603	Wire Set, Sparkplug [1.6]	1

SECTION 6

CONTENTS

PAGE

PART NUMBER TO PAGE NUMBER CROSS REFERENCE LIST 6-2
PART DESCRIPTION TO PAGE NUMBER CROSS REFERENCE LIST 6-11

CROSS REFERENCE

PART NUMBER TO PAGE NUMBER CROSS REFERENCE LIST

Part Number	Page Number	Part Number	Page Number	Part Number	Page Number
IB3614	4-25, 4-26	06942	2-41, 2-45, 2-47,	09029	2-141
MM428	3-46		2-53, 2-55, 2-59,	09037	2-35
00500-15	4-24, 4-29		2-157	09088	2-67
00927	2-137	06943	2-11, 2-15, 2-27,	09206	2-153
00954	4-25		2-32, 2-39, 2-41,	09252	2-157
00960	4-26		2-43, 2-45, 2-61	09291	3-19
01076	2-11	06944	2-11	09738	2-75, 3-17
01316	3-11	06945	2-161	09739	2-75, 2-81, 3-15
01335	3-44	06946	2-29, 2-36	09740	2-5, 2-141, 2-153,
01683	2-71, 2-75, 2-81,	06949	2-55		3-15, 3-19
	3-15, 3-17	06960	2-47	09741	2-141
01684	2-3, 2-7, 2-59, 2-69,	06961	2-47	09744	2-135, 2-139
	2-75, 2-135, 2-139,	06972	2-23, 2-25	09806	2-11
	2-141, 2-143, 2-155,	06981	2-129	09832	2-61, 2-71
	2-157, 2-161, 3-21,	07255	2-27, 2-29	1002789	2-155, 3-27
	3-27	07449	2-147	1002898	2-153
01685	2-5, 2-9, 2-51, 2-59,	07450	2-145	1002899	2-153
	2-63, 2-67, 2-71,	07783	2-133, 2-137	1005086	2-155, 3-27
	2-81, 2-95, 2-129,	07787	2-129	1005255	2-153
	2-141, 2-153, 3-15,	07788	2-7, 2-11, 2-15,	1005302	2-155, 3-27
	3-19		2-141	1005304	2-155, 3-27
01686	2-7, 2-129, 2-131,	07790	2-41, 2-45, 2-47	1005416	2-162
	2-135, 2-139, 2-141,	07791	2-5, 2-23, 2-25, 2-35,	1005435	2-153
	2-147, 2-149		2-53, 2-55, 2-57, 3-7,	1005506	2-157
01692	2-147		3-9	1005507	2-157
01704	2-71	07805	2-141	1005508	2-157
01714	2-71	08166	2-49, 2-51, 3-29	1005552	2-155, 3-27
01762	2-133	08182	2-133, 2-137	1006401	2-155, 3-27
02430	4-28	08708	2-11, 2-29, 2-35,	1006415	2-153
02431	2-21		2-41, 2-45, 2-47,	1006447	2-157
02506-6	3-33		2-55, 2-59	1007654	2-47
02706	4-3	08709	2-49, 2-51, 2-53,	1008142	2-79
02850	3-3, 3-5, 3-7, 3-9		2-61, 2-89, 2-153,	1008147	3-11
02931	2-2, 2-151		3-29	1008548	2-47
02939	2-147	08711	2-23, 2-25, 2-57	1010668	2-157, 3-27
03026	2-39, 2-41, 2-43,	08712	2-69, 2-75, 2-143,	1010683	2-39, 2-43
	2-45		2-147, 2-155, 3-17,	1010684	2-153
03495	2-149		3-21, 3-27	1010768	2-5
03922	2-73	08713	2-5, 2-49, 2-51, 2-57,	1010775	2-157
04414	2-23, 2-25		2-59, 2-67, 2-71,	1010819	2-49, 3-29
04417	2-145		2-129, 2-151, 3-29	1010836	2-157
04706	2-17	08714	2-95, 2-131, 2-135,	1010984	2-73
04733-10	2-145		2-139, 2-145, 2-147,	1010987	2-73
05286	2-131		2-149	1011018	2-126
05686	2-147	08716	2-75, 2-143, 2-147,	1011019	2-126
05724	2-3		2-155, 3-17, 3-21,	1011020	2-126
05725	2-3		3-27	1011050	2-91
05726	2-3	09005	2-137	1011107	2-53, 2-55
06279	2-145	09007	2-7, 2-131, 2-147,	1011164	2-23, 2-25
06416	2-57		3-21	1011169	2-23, 2-25
06419	2-129	09010	2-5, 2-9, 2-59, 2-63,	1011216	2-49, 2-51, 3-29
06474A	2-145		2-141, 2-153, 3-15	1011259	2-49
06532	2-27, 2-29, 2-35	09011	2-49, 2-51, 2-129,	1011314	2-39
06535	2-139		3-29	1011403	2-153, 2-155, 2-157,
06549	2-27, 2-31	09023	2-67, 2-71		3-27
06598	2-67, 3-19	09026	2-67	1011486	2-59
06938	2-27, 2-31	09028	2-7, 2-129, 2-135,	1011521	2-157
06941	2-59		2-139, 2-141, 2-149,	1011599	2-15
			3-19		

CROSS REFERENCE

Part Number	Page Number	Part Number	Page Number	Part Number	Page Number
1011780	2-39, 2-41, 2-43, 2-45	1020434	2-162	10832	2-23, 2-25
1011823	2-59	1021210	3-13, 4-23	11399	2-75, 2-79, 2-143
1011867	2-59	1021315	2-71	11442-1	2-35
1011895	2-53, 2-55	1021878	2-2, 2-153	11442-23	2-57
1012185	2-21	1023853	2-59	11843	2-147
1012215	2-27, 2-31	1024020	2-157	11984	2-41, 2-45
1012247	2-53	1027294	2-75	12273	2-5, 2-9, 2-59, 2-77, 2-79, 2-81, 3-15
1012250	2-55	1028042	2-145, 3-19	12274	2-11
1012257	2-73	1028136	2-51	12295	2-137
1012531	2-53	1028343	2-35	12316	2-81
1012574	2-43	1028558	2-51	12317	2-61
1012619	2-39, 2-43	1028559	2-23	12333	2-59
1012634	3-29	1028580	2-161	12364	2-151
1012635	2-31	1028582	2-157	12472	3-40
1012857	2-53	1028711	2-29	12677	3-21
1012859	2-53	1028722	2-36	12678	2-2, 3-21
1013031	2-49, 2-51, 3-29	1028859	2-25	13015	2-63
1013086	2-53, 2-55	1028924	2-55	13248	2-5, 2-9, 2-59, 2-61, 2-73, 2-79, 2-91, 2-93, 3-23
1013117	2-51	1029293	2-55	13513	2-71
1013168	2-39, 2-43	1029295	2-55	13902	4-11, 4-13, 4-15, 4-17, 4-19, 4-27
1013509	2-55	1029550	2-51	13904	4-11, 4-13, 4-15, 4-17, 4-27
1013525	2-49, 2-51, 3-29	1029623	2-51	13907	4-3, 4-11, 4-13, 4-15, 4-17
1013553	2-49, 3-29	1029629	2-51	14131	2-53
1013556	2-49, 2-51, 3-29	1029821	2-41, 2-45	14242	2-67
10137	2-63	1029833	2-65	14432	2-39, 2-41, 2-43, 2-45
1013857	2-157	1030138	2-55	14601	2-71
1013902	2-153	1030415	2-41, 2-45	14838	2-3
1014082	2-153	1030863	2-157	14864	2-81
1014520	2-59	1030864	2-157	14880	2-81
1014563	2-79	1030878	2-157	14983	3-44
1014575	2-153	1031312	2-29, 2-35	150100	2-157
1014843	2-59	1031405	2-161	150525	2-153
1014986	2-153	1031439	2-23, 2-25	15539	2-3
1014987	2-153	1031525	2-41, 2-45	15543	2-39, 2-41, 2-43, 2-45
1015012	2-162	1031553	2-45	15965	3-11
1015070	3-27	1031566	2-61	16213	2-71
1015096	2-161	1031609	2-41	16391	2-91
1015547	2-27, 2-29	1031699	2-79, 2-81, 3-15, 4-21, 4-23	16456	2-145
1015568	2-59	1031700	3-41, 3-42	16695	4-24, 4-29
1015897	2-27, 2-29	1031763	2-55	16735	2-27, 2-29, 2-49, 2-51, 2-53, 2-59, 2-95, 3-29
1015930	2-27, 2-29, 2-32, 2-35	1031790	2-29, 2-36	16931	2-5, 2-29, 2-36, 2-47, 2-53, 2-55, 2-57, 2-71, 2-73, 2-129, 3-7, 3-9
1016074	2-15	1031867	2-41, 2-45	17188	2-77
1017141	2-162	1032216	2-126	17414	2-57
1017218	2-77, 2-79	1032323	2-41, 2-45	19065	3-3, 3-5, 3-7, 3-9
1017248	3-3, 3-7	1032408	2-41, 2-45	19066	2-29, 2-36, 2-39, 2-41, 2-43, 2-45, 2-47, 2-53, 2-55, 2-157
1017250	3-5, 3-9	1032812	2-55		
1018040	2-157	1033507	3-11		
1018059	2-59	1033644	2-2, 2-47		
1018097	2-153	1033746	2-55		
1018098	2-157	1033897	2-55		
1018333	3-27	1033901	2-55		
1018337	2-155, 3-27	1035056	2-47		
1018499	2-155, 2-157, 3-27	10573	3-13		
1018780	2-153	10575	3-13		
1018883	2-157	10632-14	2-59		
1018884	2-157	10632-5	2-15, 2-21		
1019209	2-153	10632-9	3-3, 3-5, 3-7, 3-9, 3-17		
1019939	2-55	10664	2-95		
1020195	2-161	10678	3-11		

CROSS REFERENCE

Part Number	Page Number	Part Number	Page Number	Part Number	Page Number
19191	3-21	20951	3-15	21940	4-5
19312	2-29, 2-35	20952	3-15	21941	4-5
19313	2-47, 2-95	20955	3-11	21942	4-5
19315	2-23, 2-25, 2-29, 2-35	20956	3-11	21943	4-5
19317	2-29, 2-35	20958	2-77	21944	4-5
19544	2-89	20959	2-75	21945	4-5
19583	2-65	20971	2-2	21946	4-5
19760	2-57	20980	2-79	22140	2-59
20171	2-129	20983	2-79	222290	2-126, 2-161, 3-21
20777	2-75	20988	4-21	222460	2-67
20778	2-75, 4-21	20989	4-21	222496	2-49, 2-51, 3-29
20779	2-75	20995	2-77	222505	2-51
20782	2-15	20996	2-77	22290	2-17
20784	2-13	20997	2-77	22297	2-41, 2-45
20785	2-15	20999	3-15	223054	2-145
20788	2-9	21195	2-95	22308	2-57
20789	2-5	21198	2-89	223533	2-81
20791	2-7	21586	2-149	22604	2-65, 4-7
20795	3-32	21597	2-149	22654	4-24
20798	3-34	21600	2-149	22731	2-69
20800	3-35	21601	2-149	22786	3-15
20801	3-21	21602	2-149	22790	4-23
20802	2-13	21603	2-149	23156	2-57
20805	2-5	21606	2-149	23282	4-21, 4-23
20806	2-75, 2-147	21608	2-149	23283	4-21, 4-23
20807	2-75	21614	2-2, 2-149	23285	4-21, 4-23
20809	2-15	21623	2-11	23456	3-41, 3-42
20810	2-77	21625	2-15	23498	2-79
20811	2-77	21626	2-11	23788	2-69, 2-133, 2-137
20813	2-9	21627	2-11	24012	2-49, 2-51, 3-29
20820	2-13	21628	2-11	24047	2-57
20822	2-13	21630	2-11	24174	2-81
20833	2-2, 2-151	21631	2-15	24196	2-11
20862	2-95	21638	2-9	24199	3-15
20885	4-21	21657	4-28	24265	3-3, 3-5, 3-7, 3-9
20889	2-143	21659	4-28	24299	2-3
20891	3-13, 4-21	21904	4-11, 4-13, 4-15, 4-17, 4-19	24339	2-65
20892	4-21	21906	4-11, 4-13, 4-15, 4-17, 4-19	24358	2-79, 2-81, 3-15, 4-21, 4-23
20895	3-13	21907	4-11, 4-13, 4-15, 4-17, 4-19	24450	3-11
20903	2-39, 2-43	21916	4-11, 4-13, 4-15, 4-17, 4-19	24555	2-149
20915	2-79	21919	4-11, 4-13, 4-15, 4-17	24576	3-17
20917	2-59	21920	4-11, 4-13, 4-15, 4-17	24672	3-3, 3-5
20918	2-77	21921	4-19	24928-1	2-57
20919	2-77	21922	4-19	24929	2-31
20921	2-79	21923	4-11, 4-13, 4-15, 4-17, 4-19	24976	2-23, 2-25
20922	2-79	21925	4-3	25014	2-51
20924	2-77	21931	4-19	25049	2-71
20927	2-77	21933	4-9	25312	3-32
20932	3-41, 3-42	21934	4-9	25611	3-21
20935	2-5	21935	4-9	25620	3-21
20936	2-5	21936	4-5	25673	2-13
20937	2-79	21937	4-5	25677	2-15
20938	2-81	21938	4-5	25678	2-9
20941	3-15	21939	4-5	25684	2-129
20942	3-15			25686	2-133, 2-137
20943	2-79			25689	2-137
20944	3-15			25709	2-135, 2-139
20945	2-83			25710	2-135
20949	2-79			25714	2-141
20950	3-15			25719	2-135

CROSS REFERENCE

Part Number	Page Number	Part Number	Page Number	Part Number	Page Number
25730	2-135, 2-139	32486	2-5, 2-23, 2-25, 3-7, 3-9	369781	2-67
25733	2-139			369810	2-9
25735	2-147	32490	2-11, 2-23, 2-25, 2-27, 2-29, 2-31, 2-35, 2-36, 2-55, 2-57, 2-59, 2-71, 2-131, 2-151	369845	2-95
25736	2-135, 2-139			369850	2-75, 3-21, 3-27, 4-21
25737	2-135, 2-139	32491	2-5, 2-11, 2-49, 2-51, 2-53, 2-55, 2-57, 2-59, 2-61, 2-129, 2-131, 2-153, 3-29	369891	2-9
25744	3-31			369897	2-147
25745	3-31	32492	2-61, 2-71, 2-73	36996	2-95
25746	3-31	32493	2-23, 2-25	371527	2-47
25755	3-17	32494	2-129	371770	2-35
25761	3-3	32501	2-81	371790	3-46
25763	3-5	32508	2-81	371854	2-39, 2-41, 2-43, 2-45
25765	3-7	32613	2-81	371855	2-23, 2-25
25767	3-9	32614	2-81	371860	2-23, 2-25
25769	3-31	32669	2-81	371861	2-49, 2-51, 3-29
25773	3-46	32716	2-147	371862	2-39, 2-43
25775	3-43	32746	2-3, 2-157	371863	2-47
25778	3-41	32815	2-59	371864	2-47
25781	3-42	32899	2-71	371865	2-47
25783	3-41, 3-42	32978	2-53, 2-55	371866	2-23, 2-25
25791	2-149	32980	2-53, 2-55	371868	2-23, 2-25
25792	2-139	32981	2-53, 2-55, 2-71, 2-73	371869	2-23, 2-25
25793	2-135			371870	2-23, 2-25
25794	2-9	32983	2-47	371871	2-47
25797	2-137	32984	2-9	371872	2-47
25804	2-147	32987	2-65	371875	2-47
25806	2-57	32989	2-71	371876	2-23, 2-25
25812	4-15, 4-17	330710	3-46	371877	2-35, 2-47
25817	2-162	330970	3-46	371890	2-23, 2-25
25818	2-79	330972	3-46	371931	5-5
25819	2-147	330973	3-46	371932	5-5
25820	2-5	33295	3-11	371933	5-5
25821	2-73	33329	2-49, 3-29	371934	5-5
25822	3-15	33373	2-147	371935	5-5
25858	4-11, 4-13	33580	4-7	371936	5-5
26395-1	2-71	33807	3-35	371937	5-5
26496	2-57	33948	2-145	371940	5-8
27048	2-57	34178	4-7	371941	5-8
27920	2-21	34179	4-7	371942	5-5
27978	3-3, 3-5	34355	2-87	371943	5-8
28854	4-24	34359	2-65, 2-145, 3-23	371944	5-5
29192	3-3, 3-5, 3-7, 3-9	34379	2-87	371945	5-5
30013	2-59	35586	2-89	371946	5-5
30268	3-11	35707	2-57	371947	5-7
30407	2-21	35710	2-57	371948	5-7
30533	3-34	363976	2-47	371949	5-7
30559	2-61	365164	2-39, 2-43	371950	5-7
31258	2-63	36542	2-131	371951	5-7
31354	4-24, 4-29	368132	2-59	371952	5-7
31375	4-29	36845	3-19	371953	5-3
31379	4-29	369704	2-21	371954	5-3
31383	4-29	369745	2-39, 2-41, 2-43, 2-45	371955	5-3
31596	3-25			371956	5-3
31598	3-25	369746	2-2, 2-39, 2-41, 2-43, 2-45	371957	5-3
31599	2-93			371958	5-3
31610	2-87	369747	2-39, 2-41, 2-43, 2-45	371959	5-8
31613	2-2, 2-93			371960	5-8
32126	2-65			371961	5-11
32483	2-53, 2-55, 2-73			371962	5-5
32485	2-5, 2-23, 2-25, 2-47, 2-71, 2-89			371964	5-5
				371965	5-5

CROSS REFERENCE

Part Number	Page Number	Part Number	Page Number	Part Number	Page Number
371966	5-5	372032	5-3	372539	2-27, 2-35
371967	5-5	372033	5-3	372541	2-23, 2-25
371968	5-5	372034	5-3	372542	2-27
371969	5-5	372035	5-3	372543	2-27, 2-29, 2-35
371970	5-5	372036	5-3	372544	2-27, 2-29, 2-31
371971	5-5	372037	5-3	372545	2-27, 2-29
371972	2-2, 2-23, 2-25, 5-8	372038	5-3	372546	2-27
371973	5-8	372039	5-3	372547	2-27, 2-29, 2-31, 2-35
371974	5-7	372040	5-11	372548	2-29, 2-31, 2-35
371975	5-8	372041	5-11	372549	2-27, 2-29, 2-31, 2-35
371976	5-5	372042	5-11	372550	2-27, 2-29, 2-31, 2-35
371978	5-5	372043	5-11	372554	2-23, 2-25
371979	5-5	372044	5-11	372556	2-23
371980	5-7	372045	5-11	372557	2-47
371981	5-7	372046	5-11	372558	2-32
371983	5-7	372047	5-3	372560	5-8
371984	5-7	372048	5-3	372563	2-27
371986	5-7	372049	5-9	372566	2-27
371987	5-7, 5-8	372050	5-9	372567	5-7
371988	5-7	372051	5-9	372569	2-31
371989	5-7	372052	5-9	372571	2-47
371990	5-3	372053	5-9	372572	5-7
371991	5-7	372054	5-12	372573	5-3
371992	5-8	372055	5-12	372574	5-3
371993	5-7	372056	5-12	372575	2-2, 5-12
371994	5-7	372057	5-12	372576	2-31
371995	5-8	372058	5-12	372577	2-31
371996	2-23, 2-25, 5-7	372059	5-12	372579	2-31, 2-35
371997	5-7	372060	5-12	372580	2-31
371998	5-7	372066	5-9	372582	2-31
371999	5-3, 5-5	372235	2-126	372603	5-12
372001	5-7	372236	2-126	372605	2-31
372002	2-23, 2-25, 5-7	372237	2-126	372606	2-31
372003	5-7	372440	2-2, 2-53, 2-55	372607	2-29, 2-31, 2-35
372004	5-7	372470	2-29, 2-35	372608	2-31
372005	5-7	372482	2-27, 2-31	372609	2-31
372007	5-3	372484	2-31	372610	2-31
372008	5-3	372489	2-27	372611	2-31
372009	5-11	372491	2-23, 2-25	372612	2-31
372010	5-11	372493	2-27, 2-31	372613	2-32
372011	5-11	372497	2-31	372615	2-2, 2-32, 2-35
372012	5-11	372498	2-31	372616	5-11
372013	5-11	372500	2-31	372857	2-31
372014	5-11	372501	2-32	372858	2-27
372015	5-11	372503	2-32	372862	2-23, 2-25
372016	5-11	372506	2-31	372882	5-3
372017	5-3, 5-11	372507	2-31	372898	2-31
372018	5-3	372510	2-31	372953	2-23, 2-25
372019	5-3	372511	2-31	373317	4-3
372020	5-9	372512	2-31	373327	4-3
372021	5-9	372514	2-31	373346	4-3
372022	5-3	372515	2-31	373347	4-3
372023	5-3	372517	2-31	373348	4-3
372024	5-3	372518	2-32	373389	4-3
372025	5-3	372523	2-32	373391	4-3
372026	5-3	372528	2-31, 2-35	373393	4-3
372027	5-3	372529	2-35	373394	4-3
372028	5-3	372534	2-27, 2-29, 2-35	373395	4-3
372029	5-3	372536	2-47		
372030	5-3	372537	2-27, 2-31		
372031	5-3	372538	2-27		

CROSS REFERENCE

Part Number	Page Number	Part Number	Page Number	Part Number	Page Number
373398	4-3	385009	2-55	41619	2-7, 2-11, 2-15, 2-141, 3-19
373402	4-3	385029	2-23, 2-25	42011	2-47
373413	4-3	388134	2-9	42133A	2-75
373427	4-3	388552	5-11	42215	2-89, 3-23
373429	4-3	38968	4-7	42223	2-65, 2-89
373434	4-3	39019	2-135, 2-139	42226	2-93
373453	2-89, 4-3	391451	2-77	42260	2-91, 2-93, 2-95
373493	4-3	391803	2-13	42368	2-53, 2-55
373494	4-3	391804	2-141	43844	2-27, 2-29, 2-32, 2-36, 2-53, 2-55, 2-59, 2-75
374560	2-65	391849	2-139	43952	2-95
374562	2-65	391939	2-161	44078	2-21
374604	3-37	391944	2-131	44681-1	3-5, 3-9
374605	3-37	391946	3-13	44681-2	3-5, 3-9
374607	3-38	39210	2-133	44681	3-5, 3-9
374608	3-38	392645	2-57	44868	2-91, 2-133
374618	3-41, 3-42	39272	2-63	44869	2-89, 2-91, 2-133
374688	3-39	39277	2-5, 2-11, 2-15	44906	2-135, 2-139
374689	3-39	39279	2-89	44961	2-73, 3-19
375014	3-41, 3-42	39283	2-23, 2-25, 2-61, 2-73	45272	3-7, 3-9
375322	3-11	39284	2-49, 2-51, 3-29	45482	3-23
37555	4-24, 4-29	39285	2-71, 2-73	45487-6	3-21
37616	4-7	39311	2-47	45622	4-7
377084	2-161	393209	2-47	45623	4-7
377359	3-21	393270	2-47	45628	4-24, 4-29
377448	2-5	393280	2-126	45779	3-3, 3-5, 3-7, 3-9
37756	4-7	39349	2-27, 2-29, 2-47, 2-71, 2-89	45780	2-5
37766	4-7	39350	2-73, 2-91, 2-133, 2-137	46314	2-27, 2-31
378952	2-135, 2-139	394916	2-126	46481	2-95
379030	2-129	394921	2-126	46559	2-71
382516	2-21	39527	4-29	46563	2-69
38255	4-7	39534	2-73	47178-6	2-9
384442	2-51	397692	3-21, 4-24	47512	2-61, 2-89
384961	5-5	39785	2-47	47522	3-23
384962	5-8	397889	2-161	47585	2-17
384963	5-5	39810	2-23, 2-25	47744	2-11
384964	5-5	398279	3-45	47801	2-65
384966	5-7	398474	2-157	48079	2-131
384968	5-7	40362	2-93	48126	2-53, 2-55
384970	2-35	40678	2-21, 2-75, 2-77, 2-141	48183	2-129
384971	2-35	41128	2-9	48267	2-53
384973	2-35	41130	2-73	48697	3-11
384974	2-29, 2-35	41139	2-55	48734	3-41, 3-42
384975	2-35	41142	2-53	48988	3-11
384976	2-35	41178	2-9	49266	2-71, 3-3, 3-5, 3-7, 3-9
384977	2-35	41185	2-61	49694	2-49, 3-29
384978	2-35	41186	2-9, 2-13, 2-15, 2-73	49800	2-95, 3-44
384979	2-35	41187	2-95	49943	2-87
384980	2-35	41342	2-91	50238	2-79, 3-11
384983	2-35	41345	2-5	50256	2-79, 3-11
384984	2-35	41346	3-7, 3-9	50269	2-129, 2-147
384985	2-29, 2-35	41359	2-23, 2-25	50270	2-137
384986	2-35	41421	2-81	50304	3-43
384990	2-126	41430	2-59, 2-61, 2-71	50335	2-53, 2-55
384991	2-35	41451	2-81	50544	2-75
384992	2-29	41454	2-81	50902	2-57, 2-73
384994	5-5	41579	2-153	50960	3-19
384995	2-29, 2-35			51109	2-69
384996	2-35				
384997	2-126				
384998	2-126				
384999	2-126				

CROSS REFERENCE

Part Number	Page Number	Part Number	Page Number	Part Number	Page Number
51176	2-23, 2-25	56113	2-137	59668	2-71
51305	2-27, 2-29, 2-32, 2-36, 2-59	56136	2-129	59672	2-71
51322	2-95	56137	2-129	59962	3-17
51338	2-65, 2-67, 3-37, 3-38, 3-39	56139	2-129	59971	2-19
51339	2-65, 2-67	56149	2-131	59976	2-19
51534	2-145	56166	2-133	59977	2-19
51560-5	2-39, 2-41, 2-43, 2-45	56167	2-129	60288	3-3, 3-5
51787	2-15, 3-43	56185	2-17	61490	4-29
51839	2-27, 2-29, 2-32, 2-35	56186	2-21, 2-161	61920	3-17
52402	2-61, 2-89	56346	2-19	62100	2-87
52405	4-7	56398	2-17	62378	2-59
53076	2-89	56553	2-75	63147	3-19
53091	2-15	56555	2-87	63175-1	3-19
53400-1	2-57	56690	2-17, 2-91, 2-93, 3-23	63182-5	3-15
53400-4	2-57	56692	2-73, 2-89	63233	2-145, 3-19
53466	2-5, 2-75, 2-153, 3-19, 3-21	56820	2-65, 3-23	63234	3-19
53782	2-141	56821	2-73, 3-21	63244-3	2-75
53845	3-35	56976A	2-57	63245-1	2-157
53963A	2-71	57220	3-3, 3-5	63282	2-129
54017	2-89	57224	2-39, 2-43, 3-21	63292	2-71
54051	2-65	57297	2-57	63430	3-43
54052	2-65	57315	2-65	63448	3-43
54087	2-65	57564	3-21	63451	3-43
54093	2-5	57751	2-21	63468	2-147
54274	2-59, 2-61, 2-71, 2-73, 2-91, 2-93, 3-23	57772	2-161	63469-3	2-11
54275A	2-73	57779	2-63	63810	2-27, 2-29, 2-31, 2-35, 2-41, 2-45, 3-11
54333	2-53, 2-55, 2-75, 2-153, 2-155, 2-157, 3-15, 3-21, 3-27	57803	2-21	63923	4-28
54338-2	3-17	57804	2-126	64173	2-135, 2-139
54390	2-67	57807	2-21	64425	2-135, 2-139, 2-145, 2-147
54400	2-67	57964	2-87	64595	2-15
54437	2-67	57988	2-133	64651	2-17
54567	2-67	58114	2-2, 2-73	64743	2-155, 3-27
54577	2-67	58346	2-39, 2-43	64778	2-155, 3-27
54607	2-69	58366	2-27, 2-29, 2-59, 2-95	65145-1	2-89
54615	2-9	58494	2-15	65221	2-2, 2-95
54618	2-137	58518	3-3, 3-7	65222	2-95
54845	2-53	58519	3-3, 3-7	65230	4-24
54861	2-73	58520	3-3, 3-7	65240	4-11, 4-13, 4-15, 4-17
55035	2-81	58524	2-11	65241	4-29
55248	3-3, 3-5	58589	2-57	65441	2-71
55272	3-3, 3-5, 3-7, 3-9	58590	2-57	65587	3-21
55586	2-133, 3-23	58592	2-23, 2-25	65869-1	2-2
55691	2-87	58677	2-133, 2-137	66211	2-67
55700	2-87	58819	2-9	66213	2-67
55926	4-3	58842	2-65	67004	3-43
56077	2-129	58979	2-69	67767	2-21, 2-57, 2-73, 2-155, 3-15, 3-27
56078	2-137	59009	2-69	67811	2-89
56088	2-133	59156	2-147, 3-19	68866	2-71
56096	2-129	59192	2-7, 2-11, 2-15, 2-141	68872	2-63
56100	2-133	59194	2-7, 2-141	68873	2-63
56103	2-129	59195	2-7	69173	2-91
56106	2-129	59393	2-143	69234	2-21, 2-63
		59447	3-3, 3-5	69462	2-67
		59514	2-15	69582	2-135, 2-139
		59561	2-87	69657	3-43
		59567	2-87	69659	3-43
		59581	3-25		
		59633	3-19		

CROSS REFERENCE

Part Number	Page Number	Part Number	Page Number	Part Number	Page Number
69784	2-77, 3-13	71330	2-7	71719	2-61, 4-26
69906	2-15	71340	2-65	71721	2-89
70006	2-93	71341	2-65	71726	2-93
70096	4-3	71344	2-65	71727	2-91, 3-23
70100	4-3	71345	2-65	71728	2-2, 2-93
70158	2-67	71353	3-40	71729	2-133, 4-29
70161	2-67	71354	3-40	71733	2-87
70622	2-17	71355	3-30	71735	2-87
70623	2-17	71357	3-40	71736	2-87
70709	2-17	71360	2-69	71737	2-87
70717	2-17	71361	2-67	71738	2-87
71082	2-143	71367	2-69	71739	2-87
71083	2-141	71369	2-67	71740	2-87
71084	2-141	71372	2-67	71741	2-87
71090	2-151	71373	2-67	71742	2-87
71100	2-147	71375	2-143	71743	2-87
71101	2-145	71403	2-53, 2-55	71744	2-87
71102	2-2, 2-143	71416	2-53, 2-55	71745	2-87
71104	2-145	71427	2-53, 2-55	71747	3-25
71106	2-141	71432	2-53	71748	3-25
71113	2-147	71477	3-35	71751	3-25
71115	2-143	71480	2-61	71754	2-87
71117	2-151	71482	2-61	71756	3-25
71121	2-141	71484	2-61	71757	3-25
71123	2-151	71485	2-49, 2-51, 3-29	71760	3-23, 4-13
71124	2-151	71486	2-49, 2-51, 3-29	71761	2-91, 4-15
71126	2-151	71487	2-9	71762	3-23, 4-17
71166	2-133	71491	2-162	71786	2-75
71169	2-63	71499	2-162	71787	2-9
71170	2-3	71543	3-7, 3-9	71790	2-9
71171	2-3	71593	2-19	71793	2-75
71172	2-17	71594	2-19	71796	2-69
71173	2-17	71595	2-19	71808	3-21
71199	2-149	71606	2-5	71815	3-19
71200	2-2, 2-131	71607	2-135, 2-139	71825	3-21
71201	2-131	71608	2-135, 2-139	71832	3-19
71202	2-151	71610	2-133	71839	2-2, 3-21
71204	2-147	71611	2-137	71855	3-19
71205	2-11	71612	2-3	71860	3-19
71209	2-151	71613	2-11	71863	3-19
71210	2-147	71614	2-75	71866	3-19
71211	2-147	71630	2-131	71868	3-19
71235	2-2, 2-79	71645	3-7, 3-9	71869	3-19
71236	2-79	71648	3-17	71870	3-19
71238	2-11	71649	3-17	71874	3-19
71242	2-147	71651	3-17	71886	2-5
71243	2-11	71652	3-17	71887	3-11
71245	2-147, 2-151	71653	3-17	71888	3-11
71248	2-147	71658	2-145	71891	2-9
71251	2-141	71665	2-21	71898	2-15
71254	2-149	71676	2-71	71911	2-95
71255	2-2, 2-149	71677	2-71	71916	2-59
71256	2-2, 2-149	71678	2-71	71927	2-13
71257	2-147	71680	2-71	71929	2-15
71260	2-143	71681	2-71	71931	2-13
71261	2-141	71682	2-71	71934	2-15
71263	2-141	71702	2-93	71939	2-15
71274	2-151	71705	2-91, 4-11	71941	2-11
71287	2-61	71708	3-23, 4-19	71947	2-59
71289	2-5	71713	2-17, 4-9	71948	2-59
71322	2-7	71716	2-89, 4-5	71949	2-59

CROSS REFERENCE

Part Number	Page Number	Part Number	Page Number	Part Number	Page Number
71950	2-59	74455	2-57	79739	4-11, 4-13, 4-15, 4-17
71961	2-5	75147	2-67	79740	4-11, 4-13, 4-15, 4-17, 4-19
71962	2-9	75272	2-9	79828	4-7
71963	2-9	75305	2-71	81952	2-151
71980	2-9	75375	2-73	82063	3-3, 3-7
71982	2-75	75456-3	2-73	82200	3-5, 3-9
72926	2-65	75456-4	2-73	82817	2-87
72970	2-9, 2-17, 2-21, 2-39, 2-41, 2-43, 2-45, 2-161	75611	2-77, 2-79	82825	2-61, 3-23
72977	2-63	75635	3-41, 3-42	82830	3-19
73027	2-17	75934	2-71	82839	2-71
73061	2-17	75968	2-17	82899	2-129
73112	2-73, 4-25	762249	2-153	83578	2-27, 2-29, 2-32, 2-35
73145	2-79, 3-11	762514	2-126	83879	2-71
73260	3-15, 4-28	762521	2-21	83887	2-71
73281	2-65	768897	2-59	84054	2-53
73342	2-77, 4-21, 4-23	76958	2-47	84170	2-71
73411	2-71	77097	2-73, 2-91, 2-129, 2-145, 3-19, 3-23	84597	3-36
73430	2-89, 4-27	77098	3-19	86330	3-3, 3-5
73433	3-11	77235	2-9	86332	3-3, 3-5
73468	3-11	77306	2-87	86333	3-7, 3-9
73471	2-27, 2-29, 2-32, 2-35, 2-59	77322	3-43	86591	2-77, 2-79
73472	3-11, 3-13	77345	2-65	86636	2-79, 3-15
74094	4-24, 4-29	77347	2-95, 2-135, 2-139, 2-147	86751	2-69
74095	4-29	77488	2-145	86755	2-77
74098	4-7, 4-11, 4-13, 4-15, 4-17, 4-19, 4-29	78122	2-57	86759	2-135, 2-139, 3-21
74099	4-11, 4-15, 4-29	78398	4-23	86780	2-129
74100	4-24, 4-29	78740	2-77	86781	2-129
74122	4-7	78785	2-71	86824	2-39, 2-43, 3-13
74123	4-7	78829	4-21, 4-23	86859	2-2, 2-135, 2-139
74125	4-7	78830	4-23	86860	2-135, 2-139
74137	4-7	78833	4-21, 4-23	86865	2-135, 2-139
74165	4-7	78836	4-21, 4-23	86866	2-71
74166	4-7	78838	4-23	87536	2-21
74167	4-7	78839	4-21, 4-23	87742	2-9
74168	4-7	78840	2-77, 4-21, 4-23	87866	2-21
74171	4-7	78841	4-21, 4-23	9000355	2-53, 2-55
74175	4-24	78842	4-21, 4-23	9000356	2-9
74177	4-24	78843	4-21, 4-23	9000587	3-45
74178	4-24	78875	4-28	9000845	3-3, 3-7
74180	4-3	78882	3-44	9000846	3-5, 3-9
74183	4-9	79219	2-149	9000879	3-3, 3-5, 3-7, 3-9
74185	4-9	79273-1	2-75, 2-155, 3-27	9002438	2-157
74192	4-9	79320	2-81	9002439	2-157
74193	4-9	79380	2-73	9003045	2-32
74196	4-9	79381	2-59	9003047	2-32
74222	4-9	79399	2-23, 2-25	9003345	5-3
74225	4-3	79710	4-27	9003390	2-29
74226	4-3	79711	4-11, 4-13, 4-15, 4-17, 4-19	9003391	2-36
74231	4-9	79712	4-27	9003512	2-2
74232	4-9	79713	4-27	9003513	2-2
74233	4-25, 4-26	79714	4-27	94877	2-129
74237	4-3	79715	4-27		
74243	4-9	79719	4-11, 4-13, 4-15, 4-17		
74244	4-9	79728	4-11, 4-13, 4-15, 4-17, 4-19		
74245	4-9	79731	4-11, 4-13, 4-15, 4-17, 4-19		
74249	4-7				
74250	4-24, 4-29				

PART DESCRIPTION TO PAGE NUMBER CROSS REFERENCE LIST

A

Actuator, Mag, 4-27
 Actuator, Valve, Bypass, 4-3
 Adapter, Intake, Throttle Body, 2-29, 2-35
 Adapter, Valve, 400Mm [Bosch], 2-35
 Adaptor [1.6], 2-32
 Adaptor, Intake, Throttle Body, 2-27
 Adaptor, Plate, 2-31
 Adaptor, Rod-End, S Br, 3-19
 Adaptor, Throttle Body, 2-31
 Adaptor, Valve, Fuel Trim, 2-31
 Alternator, 12vdc, 075a Multi Groove, 2-47
 Angle, Battery, 2-63
 Angle, Cable Keeper, 2-67
 Angle, Guard, Belt, 2-47
 Angle, Trim, 2-9
 Arm Assy, Link, 3-19
 Arm Wldt, Propel, 2-71
 Arm, Brush, Mach, Lh, 2-133
 Arm, Brush, Mach, Rh, 2-137
 Arm, Lift, Squeegee, 2-135, 2-139
 Arm, Linkage, L.H., 2-151
 Arm, Linkage, R.H., 2-151
 Arm, Propel, Lower, 2-71
 Arm, Rocker, Valve, 5-3
 Arm, Sq Lift, 2-135, 2-139
 Armrest Assy, Rh, 3-35
 Armrest, Molded, 2-9

B

Backflush, Cover Lid, 4-21
 Baljoint, 3/8-24, 2-147
 Ball Joint .375-24 Quick/Disc, 2-129
 Ball Joint, 250-28, 2-71
 Ball, Camshaft, 5-11
 Ball, 4-7
 Base Assy, Fan, 2-47
 Battery, 12V, Cc Amps:475 Wet, 2-63
 Bearing Kit, Cshft, 1.989-1.995mm (Brown), 5-5
 Bearing Kit, Cshft, 1.989-1.995mm (Green Blue), 5-5
 Bearing Kit, Cshft, 1.995-2.001mm (Brown Blue), 5-5
 Bearing Kit, Cshft, 1.995-2.001mm (Green), 5-5
 Bearing Kit, Cshft, 2.114-2.120mm, 5-5
 Bearing Kit, Cshft, 2.120-2.126mm, 5-5
 Bearing Kit, Idler, 2-137
 Bearing Kit, Rod, Connecting, Std, 5-5
 Bearing Kit, 4-9
 Bearing, .625B X .38, 2-135, 2-139
 Bearing, Brake, 2-69
 Bearing, Cone, Pump, Hyd, 4-3
 Bearing, Cup, 2.56d 0.55w, 2-65, 2-67, 3-37, 3-38, 3-39
 Bearing, Cup, 4-3
 Bearing, Fiberglass, 2-147

Bearing, Flange .500B, 2-17
 Bearing, Flange .625B X .50, 2-135, 2-139
 Bearing, Flange .625Bx .38, 2-147
 Bearing, Flange, 2-133
 Bearing, Nylon, 2-129
 Bearing, Sleeve, 11dx1.12Odx1.5, 3-19
 Bearing, Snap-In .38 Id, 2-11
 Bearing, Thrust .500, 2-135, 2-139
 Bearing, Thrust - Fiberglass, 3-19
 Bearing, Thrust, 11D X 1.75 Od, 3-19
 Bearing, Thrust, Pump, Hyd, 4-3
 Bearing, Thrust, 2-145
 Bearing-Cone, 1.38Bore 0.71Wth, 2-65, 2-67
 Bearing-Flange, 2 Hole 0.50Bore, 2-17
 Bearing-Thrust 0.75B 1.25D .06W, 2-141
 Bearing-Thrust, 1.031 Dia, 2-133, 2-137
 Bellcrank Wldt, 2-145
 Bellows Kit, 4-28
 Bellows, .75 Id 10.3L, 2-79, 3-11
 Belt, Ribbed, 38.5l, 2-2, 2-47
 Belt, Ribbed, 39.0l, 2-47
 Belt, Seat, 3-34
 Belt, Timing, 5-11
 Blade, Squeegee, Front, 2-2, 2-149, 3-40
 Blade, Squeegee, Rear, Urethan, 3-40
 Blade, Squeegee, Rear, 2-2, 2-149
 Block, Centering, 2-147
 Block, Short, Eng, W/ Piston & Ring (2006 and Newer), 5-5
 Block, Short, Eng, W/ Piston & Ring (Before 2006), 5-5
 Block, 2-151
 Bolt, Bracket, Sensor, Cshft Position, 5-7
 Bolt, Bracket, Screen, Oil Pump, M6x1x1, 5-7
 Bolt, Camshaft Cover, 5-3
 Bolt, Connecting Rod, 5-5
 Bolt, Cover, Camshaft, M6 X 1 X 22, 5-11
 Bolt, Cover, Oil Pump, M6 X 14, 5-7
 Bolt, Cover, Water Pump, 5-7
 Bolt, Eng Cover, M6 X 1 X 13, 5-11
 Bolt, Flywheel, 5-5
 Bolt, Head, Cyl, 5-3
 Bolt, Hsng, Thermostat, 5-3
 Bolt, M08 X 1.25 X 25mm, 5-5
 Bolt, M10 X 1.50 X 75mm, 5-5
 Bolt, Pan, Oil, 5-8
 Bolt, Pulley, Cshft, 5-5
 Bolt, Pump, Oil, 5-7
 Bolt, Retainer, Camshaft, M6 X 1 X 16, 5-11
 Bolt, Sensor, Position, Cshft, 5-7
 Bolt, Shield, Manifold, Exhaust, 5-9
 Bolt, Soc Head, M5 X 80 X 35, 2-35
 Bolt, Sprocket, Camshaft, M10x1.25x60, 5-11
 Bolt, Tensioner, Timing Belt, M8x1.25x48, 5-11
 Bolt, Tube [Pvc], M6 X 1 X 15, 5-3

Bolt, Hold Down, Battery, 7.5 Lg, 2-63
 Bolt-Eye, .25-20Th .25B 1.4L, 2-131
 Bolt-Eye, .38-16Th .28B 3.22L, 2-147
 Bolt, 4-5, 4-7
 Boot, Switch, 2-21
 Boot, Batt. Term. 1-2Ga. Red, 2-63
 Boot, Batt. Term. 1-2Ga. Black, 2-63
 Boot, Circuit Breaker, 2-21
 Bracket Assy, Lpg Tank W/Label, 2-57
 Bracket Spring Retainer, 2-3
 Bracket Tie Down, 3-44
 Bracket Wldt, Mtg, Pump, 2-153
 Bracket Wldt, Backup Alarm, 3-17
 Bracket Wldt, Caster, Adj., 2-151
 Bracket Wldt, Hinge, Lh, 2-15
 Bracket Wldt, Hinge, Rh, 2-15
 Bracket Wldt, Hinge, 2-13
 Bracket Wldt, Mounting, Cyl, 3-19
 Bracket Wldt, Mtg, Regulator, Lpg, 2-35
 Bracket Wldt, Rot Light, 3-7, 3-9
 Bracket Wldt, Sq Main, 2-147
 Bracket Wldt, Sq Secondary, 2-147
 Bracket Wldt, Steering, Tilt, 2-17
 Bracket, Air, Intake [7400 07], 2-41, 2-45
 Bracket, Alternator, 2-47
 Bracket, Anchor, Strap, Alternator, 2-47
 Bracket, Brake, 2-69
 Bracket, Caster Lock, 2-151
 Bracket, Controller [7400 2007], 2-29, 2-36
 Bracket, Controller, 2-27, 2-31
 Bracket, Cover, 2-141
 Bracket, Cylinder, 2-129
 Bracket, Filter, 2-143
 Bracket, Hanger, Muffler [2007 7400], 2-51
 Bracket, Latch, 2-13
 Bracket, Mountin, Radiator, 2-59
 Bracket, Mounting Motor, 2-73
 Bracket, Mounting, Fan, 2-73
 Bracket, Mounting, Light, Ohg, 3-3, 3-5
 Bracket, Mounting, Radiator, 2-59
 Bracket, Mounting, Tank, 3-15
 Bracket, Mounting, 2-5
 Bracket, Mtg, Air Fltr [2007 7400], 2-41, 2-45
 Bracket, Mtg, Air Fltr, [Gm 1.6L 7400], 2-39, 2-43
 Bracket, Mtg, Fan, 2-61
 Bracket, Mtg, Front [Gm 1.6l 7400], 2-23, 2-25
 Bracket, Mtg, Rear [Gm 1.6l 7400], 2-23, 2-25
 Bracket, Mtg, Relay [Gm 1.6l 7400], 2-15
 Bracket, Mtg, Tank, 2-79, 3-15
 Bracket, Mtg, Valve, Solenoid, 2-157
 Bracket, Mtg, Valve, 2-91
 Bracket, Mtg, 2-5
 Bracket, Muffler, Hanger, Front, 2-49, 2-51, 3-29
 Bracket, Muffler, Hanger, 2-49, 2-51, 3-29

CROSS REFERENCE

- Bracket, Pin, 2-11
Bracket, Propel, Adjustment, 2-71
Bracket, Propel, 2-71
Bracket, Reg [1.6l], 2-31
Bracket, Retainer, 2-71
Bracket, Retaining, Wire, Sparkplug, 5-12
Bracket, Safety Clip, 2-71
Bracket, Screen, Oil Pump, 5-7
Bracket, Sensor, Position, Cshft, 5-7
Bracket, Shield, Muffler, 2-49, 2-51, 3-29
Bracket, Shield, 2-49, 2-51, 2-71, 3-29
Bracket, Sol Control, Sb, 3-21
Bracket, Sol Control, 2-75
Bracket, Solenoid Valve, 4-21
Bracket, Sqge, Rh, 2-139
Bracket, Squeegee, Lh, 2-135
Bracket, Stop, 2-147
Bracket, Switch, 3-17
Bracket, Tank, Coolant Recovery, 2-59
Bracket, Tiedown, Seat, 3-44
Bracket, Wheel, Tray, 2-141
Brake Assy, 2-67
Brake Repair Kit, 2-67
Brake Shoe (Need 2), 2-67
Breaker-Circuit, 15A Resetable, 2-21
Breaker-Circuit, 5A Resetable, 2-21
Brush Assy, Scb, H. D. Polypropylene, 2-3
Brush Assy, Scb, Soft Nylon, 2-3
Brush Assy, Scb, Super Abrasive, 2-3
Brush Kit, 4-23
Brush, Scb, Polypropylene, 2-3
Brush, Scb, Soft Nylon, 2-3
Brush, Scb, Super Abrasive, 2-3
Bshg, Sleeve, 0.37Bx0.50Dx0.50L, 2-69
Bulb, 12V .2A 32Cp #1156, 3-3, 3-5, 3-7, 3-9
Bulb, 12V .5A 4Cp #1157, 2-5
Bumper Kit, Squeegee, 2-2, 2-149
Bumper Wldt, S Br, 3-19
Bumper, Rubber, 2-9, 2-13, 2-15, 3-43
Bumper, Squeegee, 2-149
Bushing, Flng, 1.00b 1.13d 1.00l, 2-137
Bushing, M6-1.50 X .25-27npt, 2-27, 2-31
Bushing, Sleeve, 0.50b 0.59d 0.38l, Stl, 2-135, 2-139
Bushing, Sleeve, 0.50b 0.59d 0.50l, Bnz, 2-145, 3-19
Button, Plug, 0.44h .03-12, 3-35
Button, Plug, 2.00h .04-.19 [Chm Stl], 2-9
Button, Plug, Switch, 1.45 X 0.83 Hole, 2-161
Button, Plug, 2-81
- C**
- Cable, Battery Pos 4Ga. 38L, 2-63
Cable, Brake, Service, 2-67
Cable, Hood, 2-11
Cable, Push-Pull, 2-71
- Cable, Sq Lift, Metric, 2-145
Cabletie Mount, Adhesive, 3-3, 3-5
Cam, Front, 2-149
Cam, Rear, 2-149
Camshaft, 5-11
Cap Assy, Pos Drain, 3-41, 3-42
Cap Assy, Tank, Drain, 2-81
Cap Assy, Tank, 4-23
Cap Assy, Tank, 2-79
Cap Drain, 2-81
Cap Screw, 4-29
Cap Tank, 3-15
Cap, Breather, Hyd, 7.0 Ds, 2-2
Cap, Drain Hose, 2-81
Cap, Drain, 3-41, 3-42
Cap, End, 4-9, 4-24
Cap, Filler, Oil, W/ Org, 5-3
Cap, Fuel, Protectoseal, 3-33
Cap, Fuel, Tank, 2-55
Cap, Fuel, 2-53
Cap, Hub, 2-67
Cap, Hyd, Breather 40Mic 7.0Ds, 2-93
Cap, Neoprene, Black, 2-75, 2-147
Cap, Outlet, Water, 2-27
Cap, Plate, 2-77
Cap, Radiator, 15psi, 2-59
Cap, Spring, Valve, 5-3
Cap, Tank, 4-21
Cart, Check Vlv, 4-27
Cart, Psi Control, 4-19
Cart, Psi, 4-11, 4-13, 4-15, 4-17, 4-19
Cart, Pilot Chk, 4-11, 4-13, 4-15, 4-17
Cart, Shuttle Chk, 4-19
Cartridge Repl Kit Std Brush, 4-11, 4-13
Cartridge Repl Kit, Nylon Brush, 4-15, 4-17
Caster Assy, Squeegee, Rear, 2-151
Caster, Squeegee, 2-147
Chain, Link#2/0, 11Links, Zinc Pl, 2-129
Channel Wldt, Fan Motor, 2-61
Channel Wldt, Mtg, S Br, 3-19
Channel, Stiffener, Lintel, 2-15
Channel, 2-91
Check Valve Kit, 4-21, 4-23
Clamp Wormdrive, 1.25-2.00, 2-59
Clamp Wormdrive, 1.62-3.50, 2-77
Clamp Wormdrive, 3.75-4.62, 2-73
Clamp, Cable, Stl, 0.69d X 0.62w, 1h, 2-73, 2-155, 3-27
Clamp, Cable, Stl, 1.25d X 1.00w, 1h, 2-27, 2-29
Clamp, Cable, Stl, 1.50 X 1.00W, 1H, 2-5
Clamp, Cable, Stl, 1.50d X 1.00w, 1h, 2-153
Clamp, Cable, Stl, 2.00d X 0.75w, 1h, 2-53, 2-55
Clamp, Hose, 1.0, 2-27, 2-35
Clamp, Hose, 1.75 [Pcv], 5-3
Clamp, Hose, Plstc .351-.394 Id, 2-153
Clamp, Hose, Spring, 0.62D, 2-35
Clamp, Hose, Spring, 0.75D, 2-35
Clamp, Hose, Wormdrive, 0.25-0.62d, .31w, 2-27, 2-32, 2-36
- Clamp, Hose, Wormdrive, 0.25-0.62d, 2-29, 2-59, 2-75
Clamp, Hose, Wormdrive, 0.31-0.88d, .31w, 2-153, 2-155, 2-157, 3-27
Clamp, Hose, Wormdrive, 0.31-0.88d, 2-53, 2-55
Clamp, Hose, Wormdrive, 0.50-1.06d, .50w, 2-39, 2-43
Clamp, Hose, Wormdrive, 0.56-1.06d, .56w, 2-27, 2-35, 2-41, 2-45, 3-11
Clamp, Hose, Wormdrive, 0.56-1.06d, 2-29, 2-31
Clamp, Hose, Wormdrive, 1.56-2.50d, .50w, 2-41, 2-45
Clamp, Hose, Wormdrive, 1.81-2.75d, 2-39, 2-41, 2-43, 2-45
Clamp, Hose, 2-81
Clamp, Mtg, Filter, Air, 2-39, 2-41, 2-43, 2-45
Clamp, Muffler, 1.62d, 2-49, 2-51, 3-29
Clamp, Spring, 1.50, 2-39, 2-41, 2-43, 2-45
Clamp, Wormdrive, 3-13
Clamp, Cable .44D .62Wide, 2-21
Clamp, Cable 1.25Dia 1.00W Neo, 2-59, 2-95
Clamp-Cable 1.50D 1.00W, 2-5
Clamp-Cable, 0.44D 0.62W Stl, 2-75, 2-77, 2-141
Clamp-Cable, 0.56Dia 0.38Wth, 2-71
Clamp-Cable, 1.00Dia. .62Wth, 2-21, 2-63
Clamp-Cable, 1.12Dia 0.38Wth, 2-75
Clamp-Cable, 1.50Dia 1.00W, 3-19
Clamp-Cable, 1.50Dia 1.00W, 3-21
Clamp-Cable, 1.50Dia. 1.00W, 2-75
Clamp-Cable, .69Dia. 62Wth, 2-21, 2-57, 3-15
Clamp-Conduit, 2 Slot 1.50Dia, 2-75
Clamp-Wormdrive, 0.25- 0.62D, 2-53, 2-55
Clamp-Wormdrive, 0.31- 0.88D, 2-75, 3-15, 3-21
Clamp-Wormdrive, 0.81- 1.50D, 2-75, 2-79, 2-143
Clamp-Wormdrive, 2.63- 4.50D, 2-79
Clamp-Wormdrive, 2-79
Clip Safety, 2-15
Clip, Keeper, Open, 2-21
Clip, Push On .187 Dia, 2-15
Clip-Finger Grip, 3-43
Coil, 12V, 4-11, 4-13, 4-15, 4-17, 4-19
Coil, Ignition, 5-12
Column, Pump, 4-23
Column, Steering #2 10Lg Wire, 2-17
Column, 4-21
Connector, Fuel, E90, Qf, 2-55
Connector, Fuel, Qf, 2-53, 2-55
Converter, Lpg, 2-31
Cooler, Hyd, 2-95
Coupler, Female X Hose Shank, 3-41, 3-42
Coupler, Hyd Pump, 2-89

Coupling, Drive, 13t, 2-23, 2-25
 Coupling, Quick Disc. Shwd, 2-57
 Cover Assy, Engine Top, 2-15
 Cover Lid, 2-79, 3-15
 Cover, Belt, Timing, Front, 5-11
 Cover, Belt, Timing, Upper Front, 5-11
 Cover, Cleanout, 2-81
 Cover, End, 4-3
 Cover, Filler Pocket, 2-15
 Cover, Hose, 2-35
 Cover, Hsng, Camshaft, 5-3, 5-11
 Cover, Hsng, Flywheel, 2-23, 2-25
 Cover, Insert, 2-81
 Cover, Pump, Oil, 5-7
 Cover, Recovery Tank, 2-79
 Cover, Rocker Switch Seal, 2-21
 Cover, Solution Tank, 2-77
 Cover, Tray, 2-141
 Crank Replmt.Kit,Pump, 4-28
 Crankshaft, 5-5
 Cushion, Piston, 4-27
 Cylinder, Hyd 1.5B 02.8S 2500, 2-129
 Cylinder, Hyd, 2.0b 08.0l 04.00strk 2500, 2-145, 3-19
 Cylinder, Hyd, 2.0b 14.8l 08.00strk 3000, 2-65

D

Demister Cover W/Label, 2-79
 Detergent Pkg, 4 Liter, Sgl [Tco 665], 2-2, 2-153
 Detergent Tank W/Label, 3-15
 Diode, Ele, Plug, 2-126, 2-161, 3-21
 Dipstick, Oil, 5-8
 Distance Plate, 4-5
 Door Wldt, Brush, Lh, 2-7
 Door Wldt, Brush, Rh, 2-7
 Door, Side, Engine, 2-13
 Dowel Pin, 4-5
 Drain Cock,.25Npt Wh#120 Angl, 2-59
 Drain Kit, Cap, 2-81
 Drive, 4-7, 4-9, 4-24, 4-29
 Drum, Lift Cable, 2-145
 Duct, Vinyl .40X.75X10.0 .25D, 3-3, 3-5
 Duct, Vinyl .40X.75X26.0 .25D, 3-3, 3-5
 Duct, Vinyl .40X.75X3.5 .25D, 3-7, 3-9

E

E-Ring, External .375 Dia, 2-149
 Element, Filter, 2-95
 Element, Fltr, Air [Dn], 2-2, 2-39, 2-41, 2-43, 2-45
 Element, Fltr, Air, Safety, 3-45
 Element, Fltr, Oil, Eng, Spin-On, 2-2, 2-23, 2-25, 5-8
 Element, Fltr, Oil, Spin-On, 2-2
 End Cap, 4-29
 End Cover, 4-5
 Engine, Block, Long [Gm1.6l] (See Engine Breakdown), 2-25

Engine, Block, Long [Gm1.6l] (See Engine Breakdown), 2-23
 Extinguisher Kit 7400, 3-32
 Extinguisher, Fire, 3-32

F

Fan, Cooling, 14.3d, 6 Blade, 0.5b Taper, 2-61
 Fan, Pusher, 2-61
 Fan, Repair Kit, Reassembly, 2-2, 2-73
 Filter Assy, Air, Molded Ure, 2-153
 Filter Assy, Spin-On, 2-95
 Filter Kit, Air, Hd, Ci, 3-45
 Filter Kit, Fuelock, Lpg, 2-2
 Filter Kit, Lock Off, Lpg, 2-32, 2-35
 Filter Wldt, Tray, 2-143
 Filter, Assy, Air, 2-39, 2-41, 2-43, 2-45
 Filter, Foam, 2-155, 3-27
 Filter, Fuel [Gm 1.6l/3.0l], 2-2
 Filter, Inline, Pf06/Pf06, 80 Mesh, 2-155, 3-27
 Filter, Solution, 3-13
 Fitting , Elbow Gr, 4-23
 Fitting Assy, Orifice [.070b] F/ 1018533, 2-157
 Fitting Assy, Orifice [.093b] F/ 1018467, 2-157
 Fitting Assy, Orifice, 0.070b, Pf04/Pf04, 2-157
 Fitting Assy, Orifice, 0.093b, Pf04/Pf04, 2-157
 Fitting Assy, Sol Control, 2-75
 Fitting Kit [Epr], 2-35
 Fitting, Adapter, Orifice, Pm06pf06, 2-27, 2-29
 Fitting, Brs, E45, Pf02/Pm02, 2-23, 2-25
 Fitting, Brs, E90, Cf03/Pf02, 2-153
 Fitting, Brs, E90, Em05/Pm04, 2-53, 2-55
 Fitting, Brs, E90, Em10/Pm06, 2-27, 2-29, 2-32, 2-35
 Fitting, Brs, E90, Pm04/Bm08, 2-157
 Fitting, Brs, Str, 02mp, Service, 2-39, 2-41, 2-43, 2-45
 Fitting, Brs, Str, Pf02/Pm04, 2-157
 Fitting, Brs, Str, Pf04/Pm02, 2-35
 Fitting, Brs, Str, Pm02/Bm04, 2-153
 Fitting, Brs, Str, Pm02/Pf04, 2-27, 2-29, 2-32
 Fitting, Brs, Str, Pm04/Bm08, 2-153
 Fitting, Brs, Str, Pm08/Pm08, 3-11
 Fitting, Brs, Tee, Pf04/Pf04/Pf04, 2-157
 Fitting, Brs, Tee, Pf04/Pf04/Pm04, 2-31
 Fitting, Bulkhead Fem,, 3-11
 Fitting, Cap, 2-31
 Fitting, Draincock, .25npt 90, 2-27, 2-29, 2-32
 Fitting, Draincock, E90, .25npt, 2-36
 Fitting, E70, 2-31
 Fitting, E90, M14 X .56, 2-23, 2-25
 Fitting, E90, 2-31, 2-35
 Fitting, El 90Npt/Npt 04Pf-, 2-57
 Fitting, Elbow Gr, 4-23

Fitting, Fltr, Oil, 5-8
 Fitting, Fuel, Str, 3/8-24 [07 Eng], 2-55
 Fitting, Fuel, Str, 9/16-18 [07 Eng], 2-55
 Fitting, Grease .12Nptf-Str, 2-137
 Fitting, Hose End, 2-23, 2-25
 Fitting, Hose, Vacuum, .25, 2-31
 Fitting, Hyd, E90, Jm04/Om04, L, 2-61
 Fitting, Hyd, E90, Splc, 2-35
 Fitting, Hyd, Str, Pf02/Pm04, 2-57
 Fitting, Nipple, .25mal, 2-35
 Fitting, Nipple, .25npt, Brs, 2-31
 Fitting, Pipe, Bshg, M18 X 1.5, 2-23, 2-25
 Fitting, Pipe, E45, Pm04/Pf04, [Swivel], 2-57
 Fitting, Pipe, E90, Pf02/Pm02, 2-41, 2-45
 Fitting, Pipe, Plug, Metric, M18, Soc, 2-23, 2-25
 Fitting, Pipe, Plug, 2-23, 2-25
 Fitting, Pipe, Str, Pm04/Sf04, 2-57
 Fitting, Plastic E90 16Bm/12Pm, 2-75
 Fitting, Plastic Str 12Pf/16Pm, 2-77
 Fitting, Plastic Tee 12Bm/12Pm, 2-75
 Fitting, Plstc, Pipe, Cap, Pf04, 2-153
 Fitting, Plstc, Bm10-Pm04, 2-31
 Fitting, Plstc, Body, Spray, Pf04, 2-157
 Fitting, Plstc, Cap, Spray, Pf04, 2-157
 Fitting, Plstc, E90, Bm08/Pm06, 2-155, 3-27
 Fitting, Plstc, E90, Bm08/Pm12, Nyl, 2-155, 3-27
 Fitting, Plstc, E90, Swivel, Bm08/Pf08s, 2-155, 2-157, 3-27
 Fitting, Plstc, Rst, .50 Od/.125 Id, 3-27
 Fitting, Plstc, Str, Bm04, Cplg, Fem, 2-153
 Fitting, Plstc, Str, Bm08/Pm04 Nyl, 2-157
 Fitting, Plstc, Str, Bm08/Pm04, Nyl, 2-157
 Fitting, Plstc, Str, Bm08/Pm06, 2-155, 3-27
 Fitting, Plstc, Str, Bm08/Pm12, 2-155, 3-27
 Fitting, Plstc, Str, Bm10/Bm10, 2-39, 2-43
 Fitting, Plstc, Str, Pm04, Cplg, Mal, 2-153
 Fitting, Plstc, Str, 4-23
 Fitting, Plstc, Tee, Bm08/Bm04/Bm08, 2-153
 Fitting, Plstc, Tee, Bm08/Bm08/Bm08, 2-157
 Fitting, Plstc, Y, Bm08/Bm08/Bm08 Nyl, 2-157, 3-27
 Fitting, Plug, M16, Intake Manifold, 2-29, 2-35
 Fitting, Plug, O-Ring, 4-3
 Fitting, Special, Y, Tank, 2-79
 Fitting, Str, .12mpt X .19brb, 2-27
 Fitting, Str, E90, .25npt, 2-31
 Fitting, Str, 2-31
 Fitting, Vacuum [M16-15-6h], 2-35

CROSS REFERENCE

Fitting, Vacuum, M16-15-6h, 2-27, 2-29
Fitting-Barb, Strt 3/8 Id Hose, 3-15
Fitting-Barb,90Deg,3/8 Id Hose, 3-15
Fitting-Brs, 3-11
Fitting-Hyd E45, 2-93
Fitting-Hyd E90, 2-91, 3-23
Fitting-Plastic E45 12Pf-12Pf, 3-13
Fitting-Pls E90, 3-11
Fitting, 4-21
Flange Kit, 4-5
Flange Mounting, 4-24, 4-29
Flap,Containment, 2-73
Flapper, Valve, 4-21, 4-23
Flasher, 12vdc [Hd552ps83], 3-17
Float Bottle, 2-79, 3-11
Flywheel, 5-5
Frame Wldt, Main, 2-5
Frame Wldt, Sq Lh, 2-135
Frame Wldt, Sq Rh, 2-139
Ftg Brs E90, 3-11
Ftg Qkdisc, Male, 3-11
Ftg, Grease.25-28Th Strt .63L, 2-65
Ftg, Plastic Str Barb.25H/.50H, 3-21
Ftg,Brs Tee Pf08 Pf Pf, 3-11
Ftg,Bulkhead .25Npt Wh W21204, 2-57
Ftg,Plstc,Cplg,Barb.75Pt-.50Hs, 2-75
Ftg,Plstc,Elb,Barb.75Pt-.50Hse, 2-75
Ftg,Plstc,Nip. 0.75Ptx 1.68Lg, 2-77, 3-13
Ftg,Plstc,Tee,.75-.75-.75Pipe, 2-75
Ftg-E45 Jm08/Om08, 2-93
Ftg-Hyd E45 Jm04/Om04, 2-65, 2-145, 3-23
Ftg-Hyd E45 Jm06/Om06, 3-23
Ftg-Hyd E45 Jm10/Jf10, 2-89
Ftg-Hyd E45, 2-89
Ftg-Hyd E90 Jm04/Jf04, 2-133
Ftg-Hyd E90 Jm04/Om04, 2-73, 2-91, 2-129, 2-145, 3-19, 3-23
Ftg-Hyd E90 Jm06/Om04, 3-19
Ftg-Hyd E90 Jm06/Om06, 2-65, 3-23
Ftg-Hyd E90 Jm06/Om08, 2-61, 2-89
Ftg-Hyd E90 Jm08/Om08, 2-91, 2-133
Ftg-Hyd E90 Jm08/Om10, 2-73, 3-21
Ftg-Hyd E90 Jm10/Om12, 2-89
Ftg-Hyd E90 Jm12/Om12, 2-95
Ftg-Hyd Plg Om10, 2-93
Ftg-Hyd Rst Jm04/.063, 2-145
Ftg-Hyd Str Jm04/Om04, 2-133, 3-23
Ftg-Hyd Str Jm06/Om04, 3-19
Ftg-Hyd Str Jm06/Om06, 2-17, 2-91, 2-93, 3-23
Ftg-Hyd Str Jm06/Om08, 2-61, 2-89
Ftg-Hyd Str Jm08/Om08, 2-89, 2-91, 2-133
Ftg-Hyd Str Jm08/Om10, 2-73, 2-89
Ftg-Hyd Str Jm10/Om12, 2-65, 2-89
Ftg-Hyd Str Jm12/Om12, 2-91, 2-93, 2-95
Ftg-Hyd Str Jm20/Om16, 2-89
Ftg-Hyd Tee Jm04Jmjf, 2-133
Ftg-Hyd Tee Jm04Omjm, 2-93
Ftg-Hyd Tee Jm06Jfjm, 2-89

Ftg-Hyd Tee Jm06Jmjf, 2-89, 3-23
Ftg-Hyd Tee Jm08Jmjf, 3-23
Ftg-Plug Npt 02Pm Sq Hd, 2-53, 2-55
Ftg-Plug Npt 12Pm Rd Hd Plstc., 2-77, 2-79
Ftg-Tee Npt 04Pm- 04Pf- 04Pf, 2-57
Fuel, Filtr [Gm 1.6l/3.0l], 2-53, 2-55
Fuelline, .31d E90, Plstc [7400], 2-53
Fuelline, .31d E90/Str, Plstc, 2-55
Fuelline, .31d Str/Str, Plstc [8200], 2-55
Fuse, 10 Amp, 2-126
Fuse, 15 Amp, [Min-15], 2-126
Fuse, 15 Amp, 2-126
Fuse, 20 Amp, [Min-20], 2-126
Fuse, 5 Amp, [Min-5], 2-126
Fuse, 50amp, 2-126
Fuse, 60 Amp, 2-126

G

Gasket Cap, 2-81
Gasket Kit, Repair, Gas [Gm1.6l 2007], 2-29
Gasket Kit, Repair, Lpg [Gm1.6l 2007], 2-36
Gasket Lid, 2-81
Gasket Set, Tank, 2-83
Gasket, .19, 2.00id 5.38od [Buna], 3-41, 3-42
Gasket, .19, 4.05id 5.29od [Buna], 2-79, 2-81, 3-15, 4-21, 4-23
Gasket, 2.7D 1.5B.12T 5/ 2.1Bc, 2-53
Gasket, Adaptor, 2-31
Gasket, Body, Throttle [1.6l], 2-27, 2-29
Gasket, Check Valve, 2-77, 4-23
Gasket, Cover, Hsng, Camshaft, 5-3
Gasket, Cover, 2-77
Gasket, Drain Cap, 2-81
Gasket, Exhaust, 2 Hole, 3.4bc, 2-49, 2-51, 3-29
Gasket, Flgn, Pipe, Exhaust, 2-49, 2-51, 3-29
Gasket, Head, Cyl, 5-3
Gasket, Hyd Cap, 2-93
Gasket, Manifold, Exhaust, 5-9
Gasket, Manifold, Intake, 2-27, 2-29, 2-31, 5-9
Gasket, Pan, Oil, 5-8
Gasket, Plug, Relief Valve,Oil Press, 2-23, 2-25, 5-7
Gasket, Pump, Oil, 5-7
Gasket, Sender, Fuel, 2-55
Gasket, Tube [Pcv], 5-3
Gasket, 2-77, 2-79, 4-21
Gear Motor Assy, 4-28
Gear, Drive, Oil Pump, 5-7
Gear, Ring, Drive, Oil Pump, 5-7
Geroler, 4-7
Gerotor Assy, 4-24
Gerotor Set, 4-29
Gerotor, 4-9
Grill Wldt, 2-95

Grommet Rbr 0.25ld For .09Matl, 2-15, 2-21
Grommet, Detergent Tank, 3-15
Grommet, Rbr, 0.20id, F/ 0.4h, .12matl, 2-27, 2-31
Grommet,Rbr,0.56ld,For .13Matl, 3-3, 3-5, 3-7, 3-9, 3-17
Grommet,Rbr,1.00ld,For .12Matl, 2-59
Guard Kit, Overhead, 3-31
Guard Wldt, Lights, Revl&Flsh, 3-7, 3-9
Guard Wldt, Oh, Top, 3-31
Guard Wldt, Sqge, S Br, 3-21
Guard, Belt, W/Label, [7400], 2-47
Guard, Intake, Air, Engine, 2-39, 2-43
Guide, Side Squeegee, 2-135, 2-139

H

Handle Lift Brush, 2-17
Harness [7400/8410 Fast Update], 2-161
Harness, Adapter, 2-126
Harness, Back Up Alarm, 3-17
Harness, Eng [1.6l, Gm, E-cntrl], 2-126
Harness, Injector, Gas [1.6l,Gm,E-cntrl], 2-126
Harness, Injector, Lpg [1.6l,Gm,E-cntrl], 2-126
Harness, Jumper [Fast 7400], 2-161
Harness, Jumper, Pump [7400/8410], 3-13
Harness, Main, Gas/Lpg [7400], 2-126
Harness, Manifold, Gas, 2-55
Harness, Revol Light, 3-7, 3-9
Harness, Revolv Light, Cab,Ohg, 3-3, 3-5
Harness, Wire, Eng, Gas [Gm 1.6l], 2-126
Harness, Wire, Eng, Lpg [Gm 1.6l], 2-126
Head, Cyl, 5-3
Headlight, 12vdc, 50watt . A , 2-11
Hinge, Hood, 2-11
Hinge, Seat, 2-9
Hood, Front, Lpg, 2-11
Hood, Front, 2-11
Horn, 12 Volt, 2-21
Horn, Back-Up Alarm, 3-17
Hose [Epr To Manifold], 2-35
Hose [Mixer to Epr], 2-35
Hose [Pcv], 5-3
Hose Assembly, Drain, 2-81
Hose Assy, 170mm [Ftv-ptv], 2-31
Hose Assy, Valve, Press Trim, 350mm, 2-31
Hose Assy, W/1cuff, 1.5d 120l 1.5, 3-41, 3-42
Hose Assy, Wand Kit, 3-43
Hose Lpg, 4Lpg X 27.0 Lg, 2-57
Hose Vinyl Cl.,0.38 ldx31.00Lg, 3-15
Hose Vinyl Cl.,0.50 ldx15.0 Lg, 3-21
Hose, 3.0 Dia Squeegee, 2-2, 2-79
Hose, 1.0 Dia Tray, 2-79
Hose, 355mm [FI-vrp], 2-31

Hose, 9.5mm X 290mm [Pcv], 2-29, 2-31, 2-35
 Hose, 9.5mm X 450mm [Pcv], 2-27
 Hose, Afmkt, Pvc, Brd 0.50id 1ft, 2-153, 2-155, 2-157, 3-27
 Hose, Afmkt, Pvc, Brd 0.50id 2ft, 2-157
 Hose, Afmkt, Pvc, Brd 0.50id 3ft, 2-155, 3-27
 Hose, Afmkt, Pvc, Clr 0.25id 1ft, 2-153
 Hose, Afmkt, Pvc, Clr 0.25id 2ft, 2-153
 Hose, Afmkt, Pvc, Clr 0.25id 3ft, 2-153
 Hose, Afmkt, Pvc, Clr 0.50id 2ft, 3-27
 Hose, Afmkt, Pvc, Wire 0.50id 1ft, 2-157
 Hose, Air, Intake, Flex 25.0l, 2-39, 2-43
 Hose, Balancing, Press, 45mm, 2-31
 Hose, Balancing, Press, 680mm, 2-31
 Hose, Coolant, Mold, [Epdm], 2-59
 Hose, Crossover, 2-77
 Hose, Drain, Assy, 0.31id X 24.3l, Pvc, 2-81
 Hose, Fuel, 0.31id [Evap Emission 07], 2-55
 Hose, Fuel, .19, 2-27
 Hose, Fuel, 0.31id 08.0l, 2-53
 Hose, Fuel, 0.31id 23.0l, 2-53
 Hose, Fuel, 0.50id 34.0l, 2-53, 2-55
 Hose, Heater, E90, 0.62id 05.5 2.0, 2-39, 2-43
 Hose, Heater, E90, 0.62id [Gm1.6l 2007], 2-41, 2-45
 Hose, Hyd, 26.0l, 2-23, 2-25
 Hose, Intake, Mold, 2.00id [Epdm 2007], 2-41, 2-45
 Hose, Intake, Mold, 2.0id [Epdm 7400], 2-39, 2-43
 Hose, Intake, Mold, 2.0id, Gas [Epdm 07], 2-41
 Hose, Intake, Mold, 2.0id, Lpg, 2-45
 Hose, Lpg, Med05, Pm04str/Sm04str, 55.0l, 2-57
 Hose, Mold, .62 To .75, 2-35
 Hose, Molded, 2-31
 Hose, Pvc, .50ldx.73Od 34.0Lg, 3-21
 Hose, Pvc, Brd, 0.62id 0.88od 18.00l, 3-13
 Hose, Pvc, Clr, 0.38id 0.56od 22.00l, 2-27, 2-29, 2-32, 2-59
 Hose, Pvc, Clr, 0.38id 0.56od 022.0l, 2-35
 Hose, Radiator, Mold, .75id X .62id, 2-27, 2-29
 Hose, Radiator, 2-59
 Hose, Rbr, 1.25id 1.62od 03.0L, 2-59
 Hose, Rbr, 2.00id 2.50od 03.0l, 2-39, 2-41, 2-43, 2-45
 Hose, Recvy, Coolant, 0.31id X 60l, 2-59
 Hose, Supply, Gas, .25ld, 2-35
 Hose, Vacuum 4.0, 2-2, 2-73
 Hose, Vacuum, Tray, 2-2, 2-143
 Hose, Vent, 2-39, 2-43
 Hose, Vinyl Clr .501Dx1.0LNg, 2-75
 Hose, Vinyl Clr .62ldx 18.0Lg, 3-11
 Hose, Vinyl Clr .62ldx 63.0Lg, 3-11

Hose, Vinyl Clr, .75ld x 58.0Lg, 3-11
 Hose, Vinyl, Cl Nyre .38ldx21L, 3-15
 Hose, Vinyl, Clear Nylon Reinf, 3-15
 Hose, Vinyl, Clear, 2-75, 4-21
 Hose-Hyd Ar 04 Jf/J4, 3-25
 Hose-Hyd Ar 04, 2-87
 Hose-Hyd Ar 08, 2-87
 Hose-Hyd Ar08, 2-87, 3-25
 Hose-Hyd Ar10, 2-87
 Hose-Hyd Med04 Jf/J9, 2-87
 Hose-Hyd Med04 Jf/Jf, 2-87
 Hose-Hyd Med04, 2-87, 3-25
 Hose-Hyd Med06 Jf/J4, 3-25
 Hose-Hyd Med06 Jf/J9, 3-25
 Hose-Hyd Med06 Jf/Jf, 2-87
 Hose-Hyd Med06, 2-87, 3-25
 Hose-Hyd Med08 Jf/J9, 2-87
 Hose-Hyd Med12 Jf/J9, 2-87
 Hose-Hyd Med12, 2-87
 Hose-Hyd Suc20, 2-87
 Hose-Hyd, 2-87
 Housing Assy,, 4-7
 Housing Wldt, Bearing Lh, 2-129
 Housing Wldt, Bearing Rh, 2-129
 Housing Wldt, Side Brush, 3-21
 Housing Wldt, Vac Fan, 2-73
 Housing, Brg, 4-7
 Housing, Brush, 2-131
 Housing, Camshaft, 5-3, 5-11
 Housing, Pump, 2-23, 2-25
 Housing, Support, Wheel, 2-65
 Housing, Throttle, 40Mm [Bosch], 2-35
 Housing, Throttle, 40mm [Bosch], 2-27, 2-29, 2-31
 Housing, Vac Fan W/Label, 2-73
 Housing, 4-3, 4-24
 Housingl, 4-29
 Hub & Stud, 2-65
 Hub Assy, Mounting, Brush, 2-129
 Hub, Drive, Brush, Disk, 1.00b 6t, 3-21
 Hub, Drive, Brush, Disk, 3hole 5.8bc[6t], 2-3
 Hub, Mounting, Fan, 2-61

I

Impeller 9.5 Dia. 18 Blade Mac, 2-73
 Indicator, Filter, Air, 2-39, 2-41, 2-43, 2-45
 Injector Kit, Fuel, Gas, 2-27
 Insert, Cap, 4-23
 Insert, Plate, Cam, Pump, Hyd, 4-3
 Instr. Motor Seal Kit F-74147, 4-26
 Instr. Repair Info, Motor, 4-7, 4-24, 4-29
 Instr.Repair Info, 4-9
 Instr, Repair, Pump, 4-3
 Insulation, Acoustic, Seat, 2-9
 Insulation, S/Foam, 2-5, 2-9, 2-13, 2-15
 Isolator [Epr], 2-35
 Isolator Kit, Mtg, Vaporizer, Rbr, 2-32
 Isolator, Box, Relay, 2-29, 2-35
 Isolator, Rubber, 2-49, 2-51, 3-29
 Isolator, Vib, Dia .50 [Ko], 2-23, 2-25

Isolator-Vibration .31-18, 2-95
 Isolator-Vibration,125Lb.Ratng, 2-59, 2-61, 2-71, 2-73, 2-91, 2-93, 3-23

K

Key Set,Switch, 2-21
 Key Square 0.12 0.12 00.50 Lg, 4-26
 Key Square 0.12 0.12 01.00 Lg, 4-25
 Key Square 0.25 0.25 01.25 Lg, 2-137
 Key, Shaft, Pump, Hyd, 4-3
 Key, Valve Stem, 5-3
 Key-Wdruff 0.25 1.00, 4-24, 4-29
 Key, 4-7
 Kit, Seal, Valve, 3-41
 Kit, Brush, 4-21
 Kit, Ci, Alarm, Backup, 3-17
 Kit, Ftg, Garden Hose, 3-11
 Kit, Repair, Linkage, Squeegee, 2-147
 Kit, Replacement, Armrest, 2-9
 Kit, Rotating, Pump, Hyd, 4-3
 Kit, Seal, Hyd, Pump, 4-3
 Kit, Seal, Valve, 3-42
 Kit, Shim, 4-3
 Kit, Valve Handle, 3-41, 3-42
 Knob, Caster, 2-151
 Knob, Hood, 2-11

L

Label [Nfsi Certification], 2-162
 Label Set, Hi Temp, 2-162
 Label Set, Info & Hzd 7400, 2-162
 Label Set, Operational, 2-162
 Label Set, Opertnl [7400 Fast], 2-161
 Label, Attention Fast Users, 2-77
 Label, Caution [Apply Parking Brake], 2-162
 Label, Fast, 2-162
 Label, Numerals 7400, 2-162
 Label, Tennant Logo, 2-11
 Lamp Strobe, Amb, 12-80 Vdc, 3-5, 3-9
 Latch Assy, Lpg Tank Mtg,W/Nut, 2-57
 Latch, Bolt, 2-7, 2-11, 2-15, 2-141
 Latch, Door, 2-13
 Latch, Elastic, 2-95, 3-44
 Latch, Engine Door, Side, 2-77
 Latch, Hook, Lh, 2-141
 Latch, Hook, 2-7, 2-11
 Latch, 2-15
 Lens,Flashing Lite Fr207 Amber, 3-3, 3-7
 Lens,Flashing Lite Fr207 Blue, 3-3, 3-7
 Lens,Flashing Lite Fr207 Red, 3-3, 3-7
 Lens,Rev.Light,Amber, 3-5, 3-9
 Lens,Rev.Light,Blue, 3-5, 3-9
 Lens,Rev.Light,Red, 3-5, 3-9
 Level Sensing Assy, Es, 3-11
 Level Sensing Assy, 2-79
 Light Kit Flsh Lrc, 3-7
 Light Kit Flsh Ohg, 3-3
 Light Kit Revl Lrc, 3-9
 Light Kit Revl Ohg, 3-5

CROSS REFERENCE

Light, Backup 12V, 3-17
Light, Check Eng, Amb, 2-21
Light, Flashing, Amber, 12V-Re, 3-3, 3-7
Light, Flsh, Amb, 12-48 Vdc, 3-3, 3-7
Light, Rev. Amber 12V, 3-5, 3-9
Lintel Wldt W/Label, 2-5
Lintel Wldt, Hood, 2-5
Lintel Wldt, Rear, Rh, 2-5
Lintel Wldt, W/ Label [7400], 2-5

M

Maint Kit, 400hr [7400 Gas 07], 2-2
Maint Kit, 400hr [7400 Lpg 07], 2-2
Manifold, Exhaust, 5-9
Manifold, Gas, Relief, Valve [2007], 2-55
Manifold, Intake [1.6l], 2-27, 2-29, 2-31, 2-35
Manual Pkg, [7400 Gas/Lpg Na], 3-46
Manual, Cd-Rom, Oprtr & Parts, All (NA), 3-46
Manual, Oprtr, [7400 Gas/Lpg Es Na], 3-46
Manual, Oprtr, [7400 Gas/Lpg Fr Na], 3-46
Manual, Service, Eng, [Gm 1.6l], 3-46
Manual, Service, 3-46
Mixer, Lpg [Gm 1.6l], 2-31
Mixer, W/70 Deg Ftg, 2-35
Module, Ecu, Gas [Gm, 1.6l 2007], 2-29
Module, Ecu, Gas [Gm 1.6l], 2-27
Module, Ecu, Lpg [Gm 1.6l], 2-31
Module, Ecu, Lpg [Gm 1.6l 2007], 2-36
Molding, Trim 11-14Ga 20.0, 2-9
Molding, Trim 11-14Ga 116.0, 2-11
Molding, Trim 11-14Ga 5.00, 3-21
Motor 12V Dc, 4-21, 4-23
Motor, Hyd Gear (See Breakdowns), 2-61, 2-65, 2-73, 3-21
Motor, Hyd Gear Ex 0.13 L 3000, 4-25
Motor, Hyd Gear In 04.5 R 1500, 4-24
Motor, Hyd Gear In 4.5 B 1500 (See Breakdowns), 2-133
Motor, Hyd Gear In 4.5 B 1500, 4-29
Motor, Hyd Gear, 4-7, 4-26
Muffler, Exhaust, 3-29
Muffler, Catalytic [Gm 1.6l 2007], 2-51
Muffler, Catalytic [Gm 1.6/3.0], 2-49

N

Nozzle, Plastic Wand 14.0 Lg, 3-43
Nut Hx Std Ss .38-16, 2-147
Nut Hx Std Ss M10X1.5, 2-129
Nut Hx Std Ss M12X1.75, 2-7
Nut Hx, Jam M10X 1.5Ss, 2-147
Nut Hxlocnyln .38-24 Reg5518-8, 2-129
Nut Hxlocnyln M 6X1.0 Reg Ss, 2-75, 2-143, 2-147, 3-17, 3-21
Nut Wheel .50-20 60 Angle, 2-65
Nut, Adjustable, Lpg Tank Mtg, 2-57

Nut, Cart., Lng, 4-11, 4-13, 4-15, 4-17, 4-19
Nut, Cart, 4-11, 4-13, 4-15, 4-17, 4-19
Nut, Hex, Flng, .25-20, 3-3, 3-5
Nut, Hex, Flng, M08 X 1.25, 2-53, 2-55, 2-57
Nut, Hex, Flng, M6 X 1.0, 2-41, 2-45, 2-47
Nut, Hex, Flng, M8 X 1.25, 2-5, 2-23, 2-25, 2-35, 3-7, 3-9
Nut, Hex, Jam, .25-28, 2-71
Nut, Hex, Jam, .38-24, Lh, 2-129
Nut, Hex, Jam, .38-24, 2-129
Nut, Hex, Lock, .25-20, NI, 2-53, 2-55, 2-71, 2-73
Nut, Hex, Lock, .25-28, NI, 2-71
Nut, Hex, Lock, .31-18, NI, 2-47
Nut, Hex, Lock, .38-16, NI, 2-57, 2-73
Nut, Hex, Lock, .38-24, NI, Ss, 2-147
Nut, Hex, Lock, M 5 X 0.8, NI, 2-27, 2-31
Nut, Hex, Lock, M 6 X 1.0, NI, 2-47, 2-59
Nut, Hex, Lock, M 8 X 1.25 NI, 2-89
Nut, Hex, Lock, M 8 X 1.25, NI, Ss, 2-49, 2-51, 2-57, 3-29
Nut, Hex, Lock, M10 X 1.5, NI, 2-59, 2-61, 2-71
Nut, Hex, Lock, M12 X 1.75, NI, 2-23, 2-25, 2-57
Nut, Hex, Lock, M4 X 0.7, NI, 3-3, 3-5, 3-7, 3-9
Nut, Hex, Lock, M6 X 1.0, NI, 2-29, 2-41, 2-45, 2-55
Nut, Hex, Lock, M6 X 1.0, Ss, NI, 2-155, 3-27
Nut, Hex, Lock, M6 X 1.00, NI, 2-11, 2-35
Nut, Hex, Lock, M8 X 1.25, NI, 2-49, 2-51, 2-53, 2-61, 2-153, 3-29
Nut, Hex, Std, .25-20, 2-29, 2-35
Nut, Hex, Std, .25-28, 2-71
Nut, Hex, Std, .31-18, 2-47, 2-95
Nut, Hex, Std, .38-16, 2-51
Nut, Hex, Std, .38-24, Ss, 2-147
Nut, Hex, Std, M08 X 1.25, 2-47
Nut, Hex, Std, M12 X 1.75, Ss, 2-11, 2-15, 2-141
Nut, Hex, Std, M20 X 2.5, 2-133, 2-137
Nut, Hex, Std, M4 X 0.7, 8, 2-53, 2-55
Nut, Hex, Std, M5 X 0.8, 8, 2-53, 2-55
Nut, Hex, Std, M6 X 1.0, 8, 2-23, 2-25
Nut, Hex, Stover, M10 X 1.5, 2-49, 2-51, 3-29
Nut, Hxlocnyln .75-10, 2-65
Nut, Manifold, Exhaust, M8 X 1.25, 5-9
Nut, U M5 X 0.8, 2-11
Nut-Hex Slot 1.12-18, 2-65
Nut-Hx Jam 1.00-14 Pltd, 3-11
Nut-Hx Jam .50-13 Ss, 2-71
Nut-Hx Jam .50-20 Left Pltd, 2-67
Nut-Hx Jam M20 X 1.5 4 Pltd, 2-17
Nut-Hxlocnyln .38-16 Regss18-8, 2-147, 3-19
Nut-Hxlocnyln .50-13 Regss18-8, 2-2, 2-151

Nut-Hxlocnyln M 10X1.5 Reg Ss, 2-95
Nut-Hxlocnyln M 5X0.8 Reg 18-8, 2-75, 2-81
Nut-Hxlocnyln M 8X1.25 Reg Ss, 2-5, 2-59, 2-67, 2-71, 2-129, 2-151
Nut-Hxlocnyln M10X1.5 Reg 18-8, 2-131, 2-135, 2-139, 2-147, 2-149
Nut-Hxlocnyln M10X1.5 Reg Ss, 2-145
Nut-Hxlocnyln M5X0.8 Reg Ss, 3-15
Nut-Hxlocnyln M6X1.0 Reg Ss, 2-69
Nut-Hxlocnyln M12X1.75 Reg Ss, 2-141
Nut-Hxslot .75-16 Pltd, 4-29
Nut-Hxslot 1.00-20 Pltd, 2-67
Nut-Hxslot M20X2.5 8 Pltd, 2-137
Nut-Low Crown .50-20 Pltd, 2-73
Nut-Low Crown .31-18 Pltd, 2-9
Nut-Wing .31-18 Pltd, 2-63
Nut, 4-7

O

O-Ring Gland, 2-89
Oil, Hydr. Shp 15/40 1Gal, 2-2
Outside Sprocket, Gm, 5-11

P

Pad, Neoprene, 2-147
Pad, Tread, 2-71
Pad, 2-69
Pan, Oil, W/ Baffle / Plug / Seal, 5-8
Panel Assy, Instr W/Label, 2-9
Panel Wldt, Filler, 2-7
Panel, Instmt, W/ Label [7400 Gm 1.6l], 2-9
Panel, MTG, Hose, 3-43
Panel, Seat, Rh, 2-9
Panel, Seat, Top, 2-9
Panel, Shroud, Radiator, 2-59
Panel, Tilt, Lh, 2-17
Panel, Tilt, Rh, 2-17
Panel, Transition, 2-61
Pedal, Brake Lock Ec, 2-69
Pedal, Lower, Propel, 2-71
Pedal, Upper, 2-71
Pin Wldt, Front, 2-149
Pin Wldt, Rear, 2-149
Pin Wldt, S Br, 3-19
Pin, Clevis .31 Dia X 4.50 Lg, 2-71
Pin, Clevis .31D X 2.5L, 2-151
Pin, Clevis .50 Dia X 4.50 Lg, 2-71
Pin, Clevis 10D X 50L, 2-129
Pin, Clevis, 0.50Dia. X3.50Lg, 2-145
Pin, Clevis, 0.25 Dia X 2.44 Lg, 2-145
Pin, Cotter, .125 X 1.00, 2-133, 2-137
Pin, Dowel, .50, 3.5L, 2-129
Pin, Dowel, 0.5002 D X 1.50 L, 2-129
Pin, Dowel, Pump, Hyd, 4-3
Pin, Guide, 2-131
Pin, Hair Cotter, 2-131
Pin, Hair Cotter .38D .072 Wire, 2-71

Pin, Hair Cotter, 0.69 D .092 Wir, 2-135, 2-139
 Pin, Hitch, .19Dia X 3.44 L, 2-149
 Pin, Lock, Cyl Head, 14mm X 17mm, 5-3, 5-5
 Pin, Lock, Transmission, 5-5
 Pin, Retainer, 2-32
 Pin, Ring, Lock, Hsng, Water Pump, 5-7
 Pin, Clevis, 0.19 Dia. X 0.62 Lg, 2-145
 Pin, Clevis, 0.31 Dia X 1.00 Lg, 2-135, 2-139
 Pin, Clevis, 0.37 Dia. X 0.75 Lg, 2-135, 2-139
 Pin, Clevis, 0.37 Dia. X 1.00 Lg, 2-67
 Pin, Clevis, 0.50 Dia. X 1.42 Lg, 2-67, 3-19
 Pin, Clevis, 0.50 Dia. X 1.87 Lg, 3-19
 Pin, Clevis, 0.50 Dia. X 2.00 Lg, 2-145
 Pin, Clevis, 0.50 Dia. X 2.50 Lg, 2-145
 Pin, Support Wheel, Bar, 2-65
 Pin, 2-149, 4-9
 Pipe, Suc, Oil Pump, 5-7
 Piston, W/ Pin, Std, 5-5
 Pivot Wldt, Side Brush, 3-19
 Pivot Wldt, Tray, 2-141
 Pivot, Flanged, 2-95
 Plate - Hose Support, 2-65
 Plate Bent, 3-11
 Plate Wldt, Stiffener, Ss, 2-75
 Plate, Backup Alarm, 3-17
 Plate, Cam, 4-3
 Plate, Cover, 2-141, 4-3
 Plate, Filler, 2-5
 Plate, Floor, 2-9
 Plate, Intake [7400 2007], 2-41, 2-45
 Plate, Light Mtg., 3-3, 3-5
 Plate, Mount, Steering Boot, 2-17
 Plate, Mounting, Brush, 2-133
 Plate, Mtg, Belt, Guard, 2-47
 Plate, Mtg, Brush, 2-137
 Plate, Mtg, Fuel Fltr [7400 07], 2-55
 Plate, Mtg, Fuel, Fltr, 2-53
 Plate, Mtg, Relay, 2-29, 2-35
 Plate, Orifice, 0.070id, 2-157
 Plate, Orifice, 0.093id, 2-157
 Plate, Pin Retaining, S Br, 3-19
 Plate, Support, 2-143
 Plate, Valve, Pump, Hyd, 4-3
 Plate, Valve, 4-7
 Plate, Wear, 4-9
 Plug #10, 4-11, 4-15, 4-29
 Plug #2, 4-11, 4-13, 4-15, 4-17, 4-19, 4-27
 Plug #4, 4-7, 4-11, 4-13, 4-15, 4-17, 4-19, 4-29
 Plug #8, 4-11, 4-13, 4-15, 4-17
 Plug Assembly, 4-7, 4-9
 Plug Gage #6, 4-11, 4-13, 4-15, 4-17, 4-27
 Plug Wldt, Brush Drive, 2-133, 2-137
 Plug, .12npt, Ss, 2-29, 2-31, 2-35
 Plug, Bore, Valve, Relief, Oil Press, 5-7
 Plug, Cap, Check Valve, 2-77
 Plug, Drain, Oil Pan, M14 X 1.5 X 12, 5-8

Plug, Float, 2-79, 3-11
 Plug, Hole, Coolant, Eng Block, 5-5
 Plug, Hole, Core, Eng Block, 5-8
 Plug, Hole, Injector, 2-31, 2-35
 Plug, Hsng, Oil Pump, 5-7
 Plug, Manifold, Intake, 2-27, 2-29, 2-31, 2-35
 Plug, Panl, Switch, 2-21
 Plug, Port, Sensor [Map], 2-27, 2-29, 2-31, 2-35
 Plugbtn .56H .03-.12 Blacknyl, 2-21
 Plunger, Spring .38-16, 3-43
 Pos Sol Ctrl Drn Sys Kit Std, 3-41
 Pos Sol Ctrl Drn Sys Kit, Es, 3-42
 Pulley, Cable, 1.5d, Nyl, 2-67
 Pulley, Fan, Hub [Gm1.6l 2007], 2-47
 Pulley, Tension, Belt, Timing, 5-11
 Pulley, 2-47
 Pump Assy, Column, Es (See Breakdowns), 3-13
 Pump Assy, Column, Es, 4-23
 Pump Body Kit, 4-21, 4-23
 Pump Kit, Sec#1, 4-5
 Pump Kit, Sec#2, 4-5
 Pump Kit, Sec#3, 4-5
 Pump Shaft, 4-23
 Pump, Air, Ele, 12vdc, 2-153
 Pump, Column, Es (See Breakdowns) (Replaced by 377422), 3-13
 Pump, Detergent Metering (See Breakdowns), 3-15
 Pump, Detergent Metering, 4-28
 Pump, Detgt, 12vdc [560s], 2-153
 Pump, Fuel, Hi-Press [Gm 1.6l/3.0l], 2-53, 2-55
 Pump, Hyd (See Breakdowns), 2-89
 Pump, Hyd, Piston [V] 1.24 [R] 4000 (See Breakdowns), 2-89
 Pump, Hyd, Piston [V] 1.24 [R] 4000, 4-3
 Pump, Hyd, 4-5
 Pump, Oil, 5-7
 Pump, Soltn, Ele, 12vdc [W/O Chk Valve], 2-157
 Pump, Soltn, Ele, 12vdc, 2-157
 Pump, Water [Gm], 5-7
 Pump, Water, 4-21

R

Race Thrust, 4-24, 4-29
 Race, Bearing, Pump, Hyd, 4-3
 Radiator, F/1018059 Afmkt, 2-59
 Rail, Injector, Fuel, Plstc, 2-29
 Rail, Injector, Gas, W/ Press Reg, 2-27
 Regulator [Ep], 2-35
 Relay, 12vdc, 20a, Spdt, 2-126
 Relay, 12vdc, 40a, Spdt N/O [Potter], 2-161
 Relay, 12vdc, 40a, Spdt, 2-126
 Relay, Shrouded, 12 Vdc, 2-21
 Relief Vlv Assy, 4-9
 Repair Info., 4-25
 Replm Kit, Cir Board, 2-19

Replm Kit, Instr.Panel, 2-19
 Replm Kit, Recovery Tnk, 2-79
 Replm Kit, Solution Tnk, 2-77
 Replm Kit, Touch Panel, 2-19
 Replmt Kit, Case, 2-19
 Replmt Kit, Lamp, Backlighting (8), 2-19
 Replmt Kit, Lamp, Fault (8), 2-19
 Replmt Kit, Seal,, 2-19
 Reservoir, Hyd 10.0Gal, 2-93
 Resistor Assy W / 5 Pin Plug, 2-161
 Restrictor, Jet, Coolant, 2-31
 Retainer, Camshaft, 5-11
 Retainer, Frt, 4-7
 Retainer, Side Brush, 3-21
 Retainer, Skirt, Brush, 2-131
 Retainer, Sparkplug, 1 Way, 5-12
 Retainer, Sparkplug, 2 Way, 5-12
 Retainer, Sparkplug, 3 Way, 5-12
 Retainer, Squeegee, 2-135, 2-139, 3-21
 Retainer, 2-149
 Ring Kit, Piston, Std 78.95-79.02mm, 5-5
 Ring Retain Ex, 0.75D, 2-81
 Ring, Retain, Ex0.50Od, Heavydt, 2-17
 Ring, Retain, Ex, 0.62Od, Heavydt, 2-147
 Ring, Retaining, Pump, Hyd, 4-3
 Ring, Retaining, 4-9
 Ring, Retining, 4-3
 Ring, Retain, Ex, 0.375D, Klipping, 2-151
 Ring, Retain, Ex, 0.98Od, E-Ring, 2-69, 2-133, 2-137
 Ring, Retain, Ex, 1.00Od, Basic, 2-137
 Ring, 4-7
 Rivet, Plastic .250D X .898, 2-17
 Rivet, Plastic .250Dx.898, 2-9, 2-21
 Rivet, Plstc, .250d X 0.898, 2-39, 2-41, 2-43, 2-45, 2-161
 Rivet, Pop-.125Dx.44X.25Dhd Al, 3-44
 Rod End .375-24 Lh W/Stud, 2-129
 Rod End .375-24 W/Stud, 2-129
 Rod End .250-28 .25Dia, 2-71
 Rod End M10 X1.5 W/Stud, 2-147
 Rod, 3/8-24 Rh/Lh Thread, 2-129
 Rod, Connecting, M08 X 45, 5-5
 Rod, Hanger, Isolator, 2-51
 Rod, Hood Release, 2-11
 Rod, Latch, Engine Cover, 2-15
 Rod, Latch, Steering, Tilt, 2-17
 Rod, Plastic, 2-77, 2-79
 Rod, Seat, 2-9
 Rod, Threaded, 2-147
 Rod-End, Ball Joint, Male., 50, 3-19

S

Scr Hesssm 5X0.8 16, 3-15
 Scr Hex M16X2.0 40, 2-129
 Scr Hexss.38-16X1.50, 3-19
 Scr Hexssm 12X1.75 40, 2-141
 Scr Hexssm 5X0.8 12, 2-75, 3-17
 Scr Hexssm 10X1.5 25, 2-7, 2-129, 2-135, 2-139, 2-141, 2-149
 Scr Hexssm 10X1.5 35, 2-95

CROSS REFERENCE

- Scr Hexssm 5X0.8 25, 2-81
Scr Hexssm 6X1.0 35, 2-141
Scr Hexssm 6X1.0 25, 2-7, 3-21
Scr Hexssm 6X1.0, 2-135, 2-139
Scr Hexssm 8X1.25 25, 2-59, 2-63, 3-15
Scr Hexssm 8X1.25 25, 2-9
Scr Hexssm 8X1.25 30, 2-129
Scr Hexssm 8X1.25 35, 2-67, 2-71
Scr Hexssm 8X1.25 40, 2-67
Scr Hexssm 8X1.25, 2-5, 2-141, 3-15, 3-19
Scr Hexssm10X1.5 20, 3-19
Scr Hexssm10X1.5 25, 3-19
Scr Hexssm10X1.5 30, 2-61
Scr Soc .50-13X1.50, 2-65
Scr Soc, 2-65
Scr-Hex .50 13 X 3.00 Ss, 2-151
Scr-Hex .75-10x3.25 G5 Pltd, 2-65
Scr-Hex .75-10x4.00 G5 Pltd, 2-65
Scr-Hex Ssm10X1.5 70 Full Thd, 2-129
Scr-Hexss M8X 1.25 20 Nylonloc, 2-9
Scr-Hexssm 8X1.25 20 Nylnloc, 2-59, 2-77, 2-79, 2-81, 3-15
Scr-Hexssm 8X1.25 25 Nylnloc, 2-59
Scr-Hexssm 8X1.25 25, 2-141
Scr-Hx .50-13 X 3.00 Full Thd, 2-71
Scr-Shld .312Dx1.00L .25-20, 2-71
Screen, 50 Mesh, Ss, 2-157
Screen, Fltr, 80 Mesh, 2-155, 3-27
Screen, Oil Pump, W/ Suc Pipe, 5-7
Screen, Pump, Detergent, 3-15
Screw Cap, 4-24
Screw Hex Ssm 10X1.5, 2-145
Screw Hex Ssm 6 X 1.0 20, 3-17
Screw Hexssm10X1.5 35, 2-135, 2-139, 2-147
Screw Panssm 5X0.8 20, 2-11
Screw, Adj, Valve, Hyd, 5-3
Screw, Cap, 4-3, 4-7, 4-9
Screw, Chz, M5 X 0.8 X 60, 4.8, 2-5
Screw, Flat M10X1.5, 2-139
Screw, Flt, .25-20 X 1.00, Al, 2-73
Screw, Flt, .38-16 X 1.50, Al, 2-73
Screw, Hex Ssm 6 X 1.0 20, 2-75, 2-143, 3-21
Screw, Hex, .25-20 X 0.50, 5, 2-23, 2-25, 2-29
Screw, Hex, .25-20 X 0.50, G5, 2-35
Screw, Hex, .25-20 X 0.75, 5, 2-29
Screw, Hex, .25-20 X 0.75, G5, 2-35
Screw, Hex, .25-20 X 0.75, Ss, 3-3, 3-5
Screw, Hex, .25-20 X 1.75, 5, 2-71
Screw, Hex, .31-18 X 1.75, 5, 2-47
Screw, Hex, .31-18 X 4.50, 5, 2-47
Screw, Hex, .31-24 X 0.75, NI, 2-71
Screw, Hex, .38-16 X 0.75, 5, 2-95
Screw, Hex, .38-16 X 0.75, NI, 2-133
Screw, Hex, .38-16 X 1.25, 5, 2-89
Screw, Hex, .38-16 X 1.25, NI, 2-71
Screw, Hex, .38-16 X 3.00, 5, 2-57
Screw, Hex, .38-16 X 3.75, 5, 2-57
Screw, Hex, .50-13 X 1.25, 5, 2-23, 2-25
Screw, Hex, #10-24 X 0.50, Ss, 2-47
Screw, Hex, M 6 X 1.0 X 12, Fmg, 2-57
Screw, Hex, M 6 X 1.0 X 16, 8.8, 2-47, 2-53, 2-55, 2-59
Screw, Hex, M 6 X 1.0 X 20, 8.8, 2-39, 2-43
Screw, Hex, M 8 X 1.25 X 16, 8.8, 2-95
Screw, Hex, M 8 X 1.25 X 20, 8.8, 2-47, 2-53, 2-55, 2-57
Screw, Hex, M 8 X 1.25 X 60, Fl, 2-47
Screw, Hex, M 8 X 1.25 X 70, 8.8, 2-89
Screw, Hex, M06 X 1.0 X 25, Ss, 2-131
Screw, Hex, M10 X 1.5 X 16, 8.8, 2-47
Screw, Hex, M10 X 1.5 X 20, 8.8, 2-47
Screw, Hex, M10 X 1.5 X 25, 8.8, 2-23, 2-25, 2-73
Screw, Hex, M10 X 1.5 X 35, 8.8, 2-49, 2-51, 3-29
Screw, Hex, M10 X 1.5 X 40, 8.8, 2-71, 2-73
Screw, Hex, M10 X 1.5 X 25, 8.8, 2-61
Screw, Hex, M12 X 1.75 X 50, Fl, 2-57
Screw, Hex, M12 X 1.75 X 60, 8.8, 2-23, 2-25
Screw, Hex, M12 X 1.75 X 25, 8.8, 2-5
Screw, Hex, M12 X 1.75 X 30, 8.8, 3-7, 3-9
Screw, Hex, M4 X 0.7 X 12, 8.8, 2-153
Screw, Hex, M5 X 0.8 X 20, 8.8, 2-157
Screw, Hex, M6 X 1.0 X 10, 8.8, 2-59
Screw, Hex, M6 X 1.0 X 16, 8.8, 2-41, 2-45, 2-157
Screw, Hex, M6 X 1.0 X 20, 8.8, NI, 2-11
Screw, Hex, M6 X 1.0 X 20, 8.8, 2-11, 2-15, 2-27, 2-32, 2-41, 2-45, 2-61
Screw, Hex, M6 X 1.0 X 20, Ss, 2-147, 2-155, 3-27
Screw, Hex, M6 X 1.0 X 25, 8.8, 2-11
Screw, Hex, M6 X 1.0 X 25, Ss, 2-147
Screw, Hex, M6 X 1.0 X 30, 8.8, 2-161
Screw, Hex, M6 X 1.0 X 35, 8.8, 2-29, 2-36
Screw, Hex, M6 X 1.0 X 50, 8.8, 2-55
Screw, Hex, M7-1.0 X 23.0, 8.8, 2-23, 2-25
Screw, Hex, M8 X 1.25 X 16, 8.8, 2-49, 2-51, 2-53, 2-59, 3-29
Screw, Hex, M8 X 1.25 X 20, 8.8, 2-73
Screw, Hex, M8 X 1.25 X 30, Ss, 2-49, 2-51, 3-29
Screw, Hex, M8 X 1.25 X 40, 8.8, 2-91
Screw, Hex, M8 X 1.25 X 50, Ss, 2-49, 3-29
Screw, Hex, M8 X 1.25 X 16, 8.8, 2-27
Screw, Hex, M8 X 1.25 X 20, 8.8, 2-5, 2-29, 2-36, 2-71, 2-129, 3-7, 3-9
Screw, Hex, M8 X 1.25 X 20, Ss, NI, 2-5
Screw, Hex, M8 X 1.25 X 20, Ss, 2-153
Screw, Hex, M8 X 1.25 X 25, 8.8, 2-11, 2-15
Screw, Hex, M8 X 1.25 X 25, Ss, 2-5, 2-153
Screw, Hex, M8 X 1.25 X 25, 2-5
Screw, Hex, M8 X 1.25 X 45, Ss, 2-51
Screw, Hex, M8X1.25X16, 8.8, 2-29
Screw, Hex, 2-32
Screw, Pan, M4 X 0.7 X 16, Ss, 3-3, 3-5, 3-7, 3-9
Screw, Pan, M5 X 0.8 X 40, 4.8, 2-27, 2-31
Screw, Pan, M6 X 1.0 X 35, Ss, 2-3, 2-157
Screw, Soc, .38-16 X 1.50, Al, 2-23, 2-25
Screw, Soc, M12 X 1.75 X 55, 10.9, 2-23, 2-25
Screw, Soc, M6 X 1.0 X 25, 12.9, 2-27, 2-29
Screw, Soc, M6 X 1.0 X 45, 12.9, 2-27, 2-29
Screw, Soc, M6 X 1.00 X 25, 12.9, 2-35
Screw, Soc, M8 X 1.25 X 70, 12.9, 2-35
Screw, Soc, 2-32
Screw-Hex Ssm 6X1.0, 2-69
Screw, 2-35, 4-24, 4-29
Seal Kit, Cart, 4-11, 4-13, 4-15, 4-17, 4-19
Seal Kit, Coil, 4-11, 4-13, 4-15, 4-17, 4-19
Seal Kit, Hyd Motor Gear, 4-26
Seal Kit, Hyd Mtr Gear Bn, 4-25
Seal Kit, Pump, 4-5
Seal Kit, Rear, 4-7
Seal Kit, Shaft, 4-7
Seal Kit, Stg, 4-9
Seal Replmt Kit, 4-24, 4-29
Seal, Bearing, 2-17
Seal, Boot, Steering Column, 2-17
Seal, Bulb, Sd-0168 27.75 Lg, 2-13
Seal, Bulb, Sd-0168 28.44 Lg, 2-9
Seal, Bulb, Sd-0168 29.25Lg, 2-15
Seal, Bulb, Sd-0504 32.50Lg, 2-13
Seal, Bulb, Sd-0504 68.75Lg, 2-9
Seal, Bulb, 2-9
Seal, Drive Grease Cavity, 2-65
Seal, Hose, 2-81
Seal, Oil, Cshft, 5-5
Seal, Org, Bolt, Cover, Camshaft Hsng, 5-11
Seal, Org, Cap, Fltr, Oil, 5-8
Seal, Org, Cap, 5-3
Seal, Org, Hsng, Oil Pump, 5-7
Seal, Org, Oil Pump, 5-7
Seal, Org, Press Switch / Drain Plug, 5-7, 5-8
Seal, Org, Throttle Body, 2-32
Seal, Org, Water Pump, 5-7
Seal, Org, 2-31
Seal, Ring, Pipe, Suc, Oil Pump, 5-7
Seal, Seat, Valve, 5-3
Seal, Tube, Silicone, 2-79
Seal, Foam Rbr, .75 1.00W 3.5L, 3-17
Seal-Bulb, Sd-0504 24.50Lg, 2-15
Sealant, Tube, Ds, 5-8
Seat Belt Kit 7400, 3-34
Seat Kit, Grammer 7400, 3-35
Seat, Grammer, 3-35

Seat, Michigan, 2-9
 Seat, Rotator, Valve, 5-3
 Seat, Spring, Valve, 0.333, 5-3
 Seat, Spring, Valve, 5-3
 Seat, Valve, Exhaust, [+0.2mm], 5-3
 Seat, Valve, Exhaust, [+0.4mm], 5-3
 Seat, Valve, Exhaust, Std, 5-3
 Seat, Valve, Intake, [+0.2mm], 5-3
 Seat, Valve, Intake, [+0.4mm], 5-3
 Seat, Valve, Intake, Std, 5-3
 Send-unit, Fltr, Hyd (Option), 2-95
 Send-unit, Fuel [2007], 2-55
 Send-Unit, Water, Temp, 04npt
 113oh/195d, 2-23, 2-25
 Sending Unit Tc, 2-53
 Sensor [T Map], 2-35
 Sensor, [Tmap], 2-27, 2-29, 2-31
 Sensor, Exhaust, Tailpipe, 2-51
 Sensor, Oxygen [Gm 1.6l/3.0l 2007],
 2-23, 2-25
 Sensor, Oxygen, 2-23, 2-25
 Sensor, Position, Cshft, 2-23, 2-25, 5-7
 Sensor, Temp, Coolant, 2-23, 2-25
 Shaft S-A, 4-7
 Shaft Wldt, Brake, 2-69
 Shaft Wldt, Torque, 2-129
 Shaft, Brush, Idler, 2-137
 Shaft, Cam, Chrome Plated, 2-67
 Shaft, Drive, Pump, Hyd, 4-3
 Shaft, Output, 4-24, 4-29
 Shaft, Pivot, Rh, 2-137
 Shaft, Pivot, 2-133
 Shaft, Pump, 4-21
 Sheave, Cshft, 5-5
 Sheet, Plastic, Backup, 2-77
 Shield, Manifold, Exhaust, 5-9
 Shield, Starter [1.6l], 2-23
 Shim .020Th 0.88Odx0.506ld, 2-73
 Shim .060Th 0.880Dxo.506ld, 2-73
 Shock Absorber, 2-71
 Shoe, Plastic-Squeegee 14 In, 3-43
 Skirt, Brush Arm, Rh, 2-2
 Skirt, Brush Arm, 2-131
 Skirt, Center, 2-9
 Skirt, Side Brush, 2-2, 3-21
 Sleeve Gr, 4-23
 Sleeve, .370B .50D .50 Butwcd, 2-59
 Sleeve, .401B 1.00D .38Hrs, 2-67
 Sleeve, .88B 1.75D 1.12L, Stil, 2-65
 Sleeve, Bearing .625Od X .515, 2-135,
 2-139
 Sleeve, Bearing .62Od, 2-145
 Sleeve, Nyl, #37 5.0l, 2-65
 Sleeve, Nyl, #37 16.0l, 2-39, 2-43
 Sleeve, Nylon 16.0L, 3-19, 3-21
 Sleeve, P/M, 0.496d 0.318b 0.93l 430ss,
 2-49, 2-51, 3-29
 Sleeve, Pivot, Lower, 2-141
 Sleeve, Throttle [Bosch], Plstc, 2-31
 Sleeve, 4-21
 Spacer Hub, 3-21
 Spacer Plate, 4-24, 4-29
 Spacer, .259ld 375Od .250Lg, 2-71

Spacer, Coil, 4-11, 4-13, 4-15, 4-17, 4-19
 Spacer, Latch, 2-141
 Spacer, Sppt, Filter Lock Off, 2-31
 Spacer, Strap, Adj, Alternator, 2-47
 Spacer, 2-67, 4-9
 Sparkplug [Gm], 2-2
 Sparkplug, 5-12
 Spline Coupling, 4-5
 Spring Comp 0.660Dx.09Wire3.5L, 2-151
 Spring Kit, 4-9
 Spring, Brake, Parking, 2-69
 Spring, Brush Retaining, 2-3
 Spring, Centering, 2-147
 Spring, EXT, 3-43
 Spring, Propel, Centering, 2-71
 Spring, Return, Brakes, 2-67
 Spring, Ten, 0.75Od.07Wire 3.5L, 2-135,
 2-139
 Spring, Tens.50Odx.04Wire 2.5L, 2-11
 Spring, Tension, 2-147
 Spring, Tors 0.75D 1.00L .060W, 2-69
 Spring, Torsion, 2-69
 Spring, Trough Screen, 2-143
 Spring, Valve, Relief, Oil Press, 5-7
 Spring, Valve, 5-3
 Spring-Gas Assy, Engine Cover, 2-15
 Spring, 4-7, 4-27
 Sprng,Comp,0.62ldx.06Wire 2.3L, 2-17
 Sprng,Tens,0.38Odx.06Wire 6.0L, 2-131
 Sprng,Tens,0.50Odx.05Wire 1.0L, 2-15
 Sprocket, Camshaft [Fd], 5-11
 Sprocket, Pump, Water, 5-7
 Squeegee Assy, Rear, 2-149
 Squeegee Assy, S Br Urethane, 3-30
 Squeegee Assy, S Br, 2-2, 3-21
 Squeegee Assy, Side, Lh, 2-135
 Squeegee Assy, Side, Rh, 2-139
 Squeegee Assy, Side, 3-40
 Squeegee Kit, Urethane, 3-40
 Squeegee Wand Kit 7400, 3-43
 Squeegee Wldt, 2-149
 Squeegee, Side, 2-2, 2-135, 2-139
 Starter, 12vdc [Delco] (Mar. 2006 and
 Newer), 5-5
 Starter, 12vdc [Gm] (Before Mar. 2006),
 5-5
 Steer Control, Hyd (See Breakdowns),
 2-17
 Steer Control, Hyd#2 06.1 1160, 4-9
 Stem, Valve, 4-11, 4-13, 4-15, 4-17
 Strainer, Hyd, 25 Gpm 100 Mesh, 2-2
 Strainer, Screen,Solution Tank, 2-77
 Strainer, Soltn, 20mesh, Cyl, 4.0d 08.0l,
 3-13
 Strainer-Hyd Suction 25-100-03, 2-93
 Strap Cap Retainer, 2-81
 Strap Wldt, Tank.06Tx1.0W 31.9, 2-53,
 2-55
 Strap, Adj, Alternator, 2-47
 Strap, Hinge - Lp Tank Mtg, 2-57
 Strap, Mtg.- Lp Tank, 2-57
 Strap, Radiator, 2-59
 Strap, Tank Retainer - Lp, 2-57

Strip Wldt, Front Retainer, 2-149
 Strip Wldt, Rear Retainer, 2-149
 Strip, Non Slip, 2-149
 Stud, Ball, Gas Spring, 2-15
 Stud, M10 X 1.50 [35], 2-51
 Stud, Manifold, M8 X 28, 5-9
 Stud, Manifold, M8 X 96, 5-9
 Stud, Starter, M08 X 1.25, 5-5
 Stud, Wheel .50-20 X 1.50, 2-65
 Switch Assy, 4-27
 Switch, Hyd Flow Sensor (See
 Breakdowns), 2-89
 Switch, Hyd Flow Sensor, 4-27
 Switch, Ign [Ku], 2-21
 Switch, Indicator, Oil Press, 2-23, 2-25,
 5-7
 Switch, Press, 0010psi Spst, 2-157
 Switch, Press, 12vdc 08a Spst Nc
 0070psi, 2-57
 Switch, Press, Dpdt 0006psi, 2-23, 2-25
 Switch, Progressive, 2-21
 Switch, Pushmom, Spst100A 12V, 2-21
 Switch, Rocker, 36vdc 05a Dpdt
 On/N/On, 2-161
 Switch, Rocker, 36vdc 05a Progressive,
 2-161
 Switch, Roller, 3-17
 Switch, Snap Actn, 250vdc 20a Dpd,
 3-11
 Switch, Snap Actn, 250vdc 20a Dpdt,
 3-11
 Switch, Snap Actn, 250vdc 25a Spdt,
 2-79
 Swivel Control .250-28.25Dia, 2-11

T

Taillight Assy, 2-5
 Tank, Coolant, 04.7 03.3 4.7deep, 1liter,
 2-59
 Tank, Coolant, 06.0 04.5 06.9deep 2.5
 Qt, 2-59
 Tank, Fuel, 11 Gal [7400 2007], 2-55
 Tank, Fuel, 2-53
 Tank, Solution, Lh, 2-77
 Tank-Lp.33@,Liq,Both,Fill Ga L, 2-57
 Tape, Video, Operator 7400, 3-46
 Terminal, Bullet, .156m, 12 Awg, 3-3,
 3-5, 3-7, 3-9
 Terminal, Ring, .250, 16/14 Awg, 3-3,
 3-5, 3-7, 3-9
 Thermostat, W/ Hsng And Seal, 5-3
 Thrust Bearing, 4-24, 4-29
 Tie, Cable 1.75D Max 7.50Lg, 3-3, 3-5,
 3-7, 3-9
 Tie, Cable 4.00 Max 14.50Lg, 2-73, 3-19
 Tie, Cable, Nyl, 07.3l .19w 1.8 Max D,
 2-71
 Tie, Cable, Nyl, 28.5l .50w 8.0 Max D,
 2-59
 Timer, 9-41vdc, Recycling, 2-161
 Timer, Backflush, 4-21
 Tire & Wheel Assy, Front, 2-65

CROSS REFERENCE

Tire & Wheel Assy, Solid Non MarkingTurf 18X7, 3-39
Tire & Wheel Assy, Solid Nonmark, 3-38
Tire & Wheel Assy, Solid Turf 18X7, 3-37
Tire Assy, Solid, High Traction, 18.0 X 6.0 X 4.5Bc, 3-36
Tire, 18X5X12.12 Solid, 2-67
Tire, Solid 18X5X12.12 Nonmark, 3-38
Tire, Solid 18X7X12.12 Turf, Non Marking, 3-39
Tire, Solid 18X7X12.12 Turf, 3-37
Tire, Solid 5.00 X 8 X 3.75, 2-65
Tray Wldt, Debris, 2-141
Tray, Battery, 2-63
Tray, Debris, 2-143
Tray, Gas Tank, 2-53, 2-55
Tread, Floor, 11.6 3.0, 2-9
Tread, Floor, 14.2 11.7, 2-9
Tube [Pcv], 5-3
Tube Assy, Spray, Cyl, 1000mm [7400], 2-155, 3-27
Tube Wldt, Exhaust, 1.5d, W/ Screen, 2-49, 3-29
Tube Wldt, Leg, Ohg, Lh, 3-31
Tube Wldt, Leg, Ohg, Rh, 3-31
Tube Wldt, Vacuum, 2-143
Tube, 0.50d 0.38b 0.6l Ss, 3-19
Tube, 0.62d 0.41b 0.5l, Ss, Cham, 2-147
Tube, 0.62d 0.41b 0.6l, Ss, Cham, 2-135, 2-139
Tube, Air Bleed, .62d 2.2l .12npt Alum, 2-27, 2-29, 2-32
Tube, Air, Fltr, 2.00d [7400 2007], 2-41, 2-45
Tube, Bleed, Air, .62od 2.2l .12npt, Alm, 2-35
Tube, Coolant, 1.3d Upper, [7400gas/Lpg], 2-59
Tube, Ds, 5-8
Tube, Exhaust, Fing, 1.5d [2007, 7400], 2-51
Tube, Exhaust, Gas/Lpg [7400, 2007], 2-51
Tube, Exhaust, Gas/Lpg, 2-49, 3-29
Tube, Hyd, Jf08, 2-133
Tube, Intake, 2.0d 02.0l Flange, 2-39, 2-43
Tube, Pvc, Shc80, Clr, 4.0l, 2-155, 3-27
Tube, Radiator, Lower [Gm1.6L 7400], 2-59
Tube, Wldt, Tee, 2-39, 2-41, 2-43, 2-45
Tubing Connctr.Kit, Pmp, 4-28
Tubing, Vinyl, 4-21, 4-23
Turnbuckle,.50-20Thd,2.2-4.4Lg, 2-67

V

Valve Assy, Nylon Brush (See Breakdowns), 2-91
Valve Assy, Nylon Brush, 4-15
Valve Assy, Side Br, Nylon Br (See Breakdowns), 3-23
Valve Assy, Side Br, Nylon Br, 4-17

Valve Assy, Side Brush (See Breakdowns), 3-23
Valve Assy, Side Brush, 4-13
Valve Kit, Poppet, 4-28
Valve Stem 3W2P, 4-11, 4-13, 4-15, 4-17, 4-19
Valve Stem 4W2P, 4-11, 4-13, 4-15, 4-17
Valve Stem N.C., 4-11, 4-13, 4-15, 4-17, 4-19
Valve, Body, Throttle, Lpg, 2-31
Valve, By-Pass, Oil Fltr, 5-8
Valve, Check, 2gpm 2psi Bm04/Bm04, 2-153
Valve, Check, 2-31, 2-77, 4-21, 4-23
Valve, Exhaust, 5-3
Valve, Hyd Cntrl Sol (See Breakdowns), 2-91
Valve, Hyd Cntrl Sol, 4-11, 4-19
Valve, Hyd Contol Sol (See Breakdowns), 3-23
Valve, Intake, 5-3
Valve, Lock Off, 2-35
Valve, Press Relief, Lpg Rego, 2-57
Valve, Relief, 4000 Psi, 4-3
Valve, Relief, Oil Press, 5-7
Valve, Relief, 4-11, 4-13, 4-15, 4-17
Valve, Shutoff, Lpg, W/ Wire Connector, 2-32
Valve, Solenoid, 12V Dc, 3-11
Valve, Trim, Fuel, Press, Lpg, 2-32
Valve, Water, 12vdc, 6.0mm, 04pf, 2-157
Valve, Water, Sol, 12vdc, 10bm/10bm, 3-27, 4-21
Valve, Water, Solenoid, 2-75, 3-21
Valve, 4-7
Vr, Fitting, Plug, Valve, Hyd, 4-19
Vr, Lamp, Bulb, Lamp, Flsh, 3-3, 3-7
Vr, Lamp, Bulb, Lamp, Strobe, 3-5, 3-9
Vr, Lens, Lamp, Amb, Strobe/Flasher, 3-3, 3-5, 3-7, 3-9
Vr, Plug, Orifice Cp, 4-11, 4-13, 4-15, 4-17

W

Wand, Metal - 2PC, 3-43
Washer .400B 1.12D .12Cr Znc, 2-61, 2-73, 2-91, 2-93, 3-23
Washer Flt 10 Ss, 2-71
Washer Flt .25 Ss, 2-7, 2-75, 2-135, 2-139, 2-143, 3-21
Washer Flt .31 Ss, 2-5, 2-9, 2-59, 2-63, 2-67, 2-71, 2-81, 2-129, 2-141, 3-15, 3-19
Washer Flt .38 Ss, 2-7, 2-129, 2-131, 2-135, 2-139, 2-141, 2-147, 2-149
Washer Flt .50 Ss, 2-17, 2-141, 3-19
Washer Flt .25 Ss, 2-69, 2-141
Washer Flt .31Ss, 3-15
Washer Flt .62 Hard, 2-129
Washer Flt 10 Ss, 2-81, 3-17
Washer Flt10 Ss, 2-75
Washer, .400B 1.12D .12Cr Znc, 2-9

Washer, .656B 1.25D .06, 2-135
Washer, .250B .88D .06Neoprene, 2-71
Washer, .400B 1.12D .12Cr Znc, 2-79
Washer, .400B 1.12D .12Cr. Znc, 2-59
Washer, .656B 1.25D .06, 2-145, 2-147
Washer, .656B 1.25D .06, 2-139
Washer, .660B 1.00D .12Rbr, 3-11
Washer, .687B 1.19D .06Cr. Cad, 2-147
Washer, .812B 1.06D .06Cr., 2-71
Washer, .812B 1.06D .06Cr, 2-61
Washer, 1.03Lb 1.50D .036 Crs, 3-11
Washer, Belleville, .38, 2-95
Washer, Flat .38, 2-145
Washer, Flat, .38 Sae, 2-47, 2-71, 2-89
Washer, Flat, .38, Hardened, 2-47
Washer, Flat, #08, 3-3, 3-5, 3-7, 3-9
Washer, Flat, #10, 2-29, 2-36, 2-157
Washer, Flat, #8, Ss, 2-153
Washer, Flat, 0.25 Sae, 2-53, 2-55, 2-73
Washer, Flat, 0.25 Ss, 2-3, 2-59, 2-155, 2-157, 2-161, 3-27
Washer, Flat, 0.25 Std, 2-23, 2-25, 2-27, 2-29, 2-31, 2-36, 2-55, 2-57, 2-59, 2-71
Washer, Flat, 0.25, Std, 2-11, 2-29, 2-35
Washer, Flat, 0.31 Sae, 2-27, 2-29, 2-47, 2-71, 2-89
Washer, Flat, 0.31 Ss, 2-95, 2-153
Washer, Flat, 0.31 Std, 2-5, 2-49, 2-51, 2-53, 2-55, 2-57, 2-59, 2-129, 2-153, 3-29
Washer, Flat, 0.31, Hardened, 2-47
Washer, Flat, 0.31, Ss, 2-51
Washer, Flat, 0.31, Std, 2-11, 2-61
Washer, Flat, 0.321b 1.00d .12, Ss, 2-77, 2-79
Washer, Flat, 0.34b 0.75d .12, Viton, 2-157
Washer, Flat, 0.38 Sae, 2-5, 2-23, 2-25
Washer, Flat, 0.38 Std, 2-61, 2-71, 2-73
Washer, Flat, 0.38, Hardened, 2-35
Washer, Flat, 0.40b 1.12d .12, Ss, 2-79
Washer, Flat, 0.40b 1.12d .12, Stil, Pl, 2-5
Washer, Flat, 0.50 Sae, 2-5, 2-23, 2-25, 3-7, 3-9
Washer, Flat, 0.50 Std, 2-23, 2-25
Washer, Flat, 0.53b 1.88d .12, Stil, Pl, 2-23, 2-25
Washer, Flat, 0.56b 1.38d .11, Ss, 2-11, 2-15, 2-141
Washer, Flat, 0.75 Sae, 2-73, 2-91
Washer, Flat, Pump, Hyd, 4-3
Washer, Flat, .25 Hard, 2-151
Washer, Flt, .25 Std, 2-131
Washer, Flt, .31 Std, 2-131
Washer, Flt, .75 Sae, 2-133, 2-137
Washer, Flt, #10, 2-39, 2-41, 2-43, 2-45, 2-47, 2-53, 2-55
Washer, Lock, Int, .50, 2-71
Washer, Lock, Int, #08, 2-53, 2-55
Washer, Lock, Int, #10, 2-53, 2-55
Washer, Lock, Int-ext, .38, 2-47, 2-53

Washer, Lock, Int-Ext, #10, 2-55
Washer, Polyethylene, 3-41, 3-42
Washer, Pump, Hyd, 4-3
Washer, Rubber, 4-23
Washer, Sheave, Cshft, 5-5
Washer, Sprkt, Camshaft, 5-11
Washer, Thrust, 2-65
Washer-Belleville .25 Pltd, 2-61
Washer-Belleville .31 Pltd, 2-9, 2-13,
2-15, 2-73
Washer-Flt .25 Fender Pltd, 2-9
Washer-Flt .31 Fender Pltd, 2-59
Washer-Loc Int .31 Ss, 2-95
Washer-Loc Int .31 Pltd, 2-9
Washer, 2-95, 5-3
Wheel, 3 Inch Dia., 2-2, 2-151
Wheel, Steering, 14.0d, Taper Bore, 2-17
Wheel, Tray, 1.75 Dia, 2-141
Wheel, 2-67
Wire Assy' Elect., Batt. Neg., 2-63
Wire Set, Sparkplug [1.6], 5-12
Wire, Ground, 2-47
Wireharness, Backflush, 4-21

Y

Yoke Wldt, Lh, 2-67
Yoke Wldt, Rh, 2-67



We Need Your Help...

As part of Tennant's Zero Defects Program, we want to know about errors you have found or suggestions you may have regarding our machine manuals. If you find an error or have a suggestion, please complete this postage-paid form and mail it to us. Thank you for helping us make zero defects a way of life at Tennant.

Manual No. _____ Rev. No. _____ Publish Date _____ Page _____
 Machine _____ Report Error Suggestion

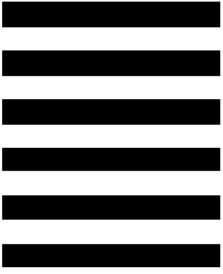
Name _____ Date _____
 Customer Number _____
 Company _____
 Address _____
 City/State/Zip Code _____



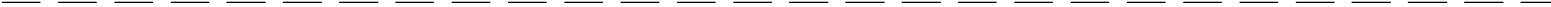
TENNANT COMPANY
 Technical Publications #15
 701 North Lilac Drive
 P.O. Box 1452
 Minneapolis, MN 55440-9947

POSTAGE WILL BE PAID BY ADDRESSEE

BUSINESS REPLY MAIL
 FIRST CLASS MAIL PERMIT NO. 94 MINNEAPOLIS, MN



NO POSTAGE
 NECESSARY
 IF MAILED
 IN THE
 UNITED STATES



Fold along dotted lines

Tape here





We Need Your Help...

As part of Tennant's Zero Defects Program, we want to know about errors you have found or suggestions you may have regarding our machine manuals. If you find an error or have a suggestion, please complete this postage-paid form and mail it to us. Thank you for helping us make zero defects a way of life at Tennant.

Manual No. _____ Rev. No. _____ Publish Date _____ Page _____
 Machine _____ Report Error Suggestion

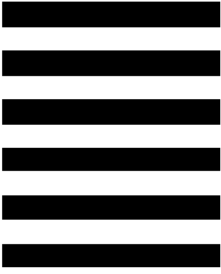
Name _____ Date _____
 Customer Number _____
 Company _____
 Address _____
 City/State/Zip Code _____



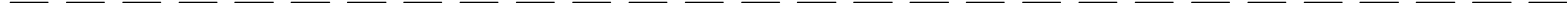
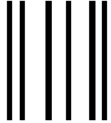
TENNANT COMPANY
 Technical Publications #15
 701 North Lilac Drive
 P.O. Box 1452
 Minneapolis, MN 55440-9947

POSTAGE WILL BE PAID BY ADDRESSEE

BUSINESS REPLY MAIL
 FIRST CLASS MAIL PERMIT NO. 94 MINNEAPOLIS, MN



NO POSTAGE
 NECESSARY
 IF MAILED
 IN THE
 UNITED STATES



Fold along dotted lines

Tape here

